




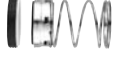






































































single spring









































































mechanical seal range

AESSEAL Marine plc, Unit 4 Venlo Industrial Estate, Knowles Street, Bradford, BA4 6HA, United Kingdom

Tel: +44 (0) 1274 720775 Fax: +44 (0) 1274 729022

Email: seals@first4seals.com - Web: www.first4seals.com

	SBT PAGE 06		SJ6 PAGE 11		295SJ PAGE 20		211U PAGE 27
	SMG1 PAGE 07		SHCH/L PAGE 12		295S7 PAGE 20		225/238 PAGE 28
	SMG12 PAGE 07		152 PAGE 12-13		259H PAGE 20		152-225 PAGE 28
	SMG13 PAGE 07		151A PAGE 13		294C PAGE 21		225-BT PAGE 28
	SMG1/AL PAGE 08		152A PAGE 14		299 PAGE 21		AL PAGE 29-30
	SS PAGE 08		CLAMP1 PAGE 14		299X PAGE 21		MARO/S PAGE 31
	SMG1X PAGE 08		CLAMP2 PAGE 15		299SW/L PAGE 22		MARP PAGE 31
	SMG1XS PAGE 09		CLAMP3 PAGE 15		299SA/U PAGE 22		401H PAGE 32
	268/269 PAGE 09		2HT PAGE 15		299S1 PAGE 22		TUCH PAGE 32
	216/217 PAGE 09		290/290S PAGE 16		299S2 PAGE 23		TUCHS PAGE 32
	SMG12G PAGE 09		290B/290BS PAGE 16		299S3 PAGE 23		SVK PAGE 32
	540 PAGE 10		259/259S PAGE 17		GRASSO PAGE 23		212CA PAGE 33
	542 PAGE 10		259B/259BS PAGE 17		2ALS PAGE 23		212G PAGE 33
	543 PAGE 10		294/294S PAGE 18		211/211T PAGE 24		212S PAGE 33
	MAC PAGE 10		294B/294BS PAGE 18		522 PAGE 26		213 PAGE 33
	524 PAGE 11		260S PAGE 19		212A/212AT PAGE 26		214 PAGE 33
	524DINS PAGE 11		261 PAGE 19		212U PAGE 27		G4 PAGE 34
	524DINL PAGE 11		295SH PAGE 19		211A/211AT PAGE 27		G4/SL PAGE 34
	524/GW PAGE 11		295 PAGE 19				

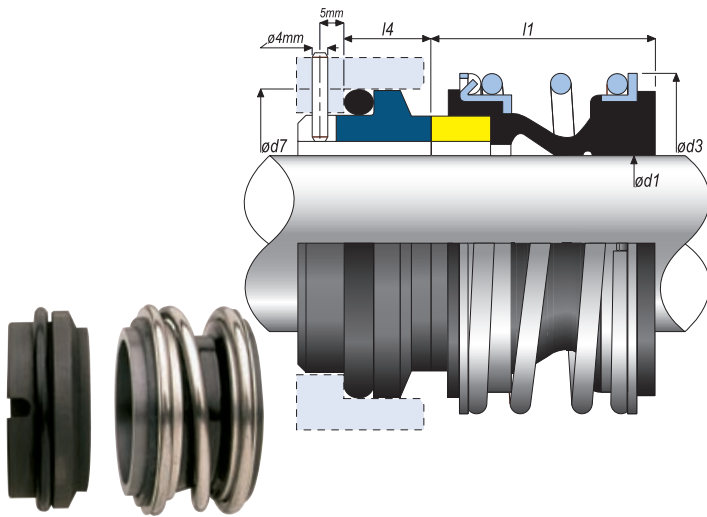
	G9 DINL PAGE 35		SARLINS PAGE 42		SU3 PAGE 56		280Y PAGE 64
	G6 DINS PAGE 35		SSAB PAGE 43		2FL PAGE 56-59		285 PAGE 65
	522(G61) PAGE 36		SSAB PAGE 43		SU5K PAGE 60		270 PAGE 65
	G60 PAGE 36		SSAB PAGE 43		SM29 PAGE 60		SAPVZMS5 PAGE 65
	G46 DINL PAGE 36		SSAB PAGE 43		SM29D PAGE 60		255 PAGE 66
	DINS PAGE 37		SSAB PAGE 43		SM29X PAGE 60		256 PAGE 67
	H-STAT/HA-STAT PAGE 37		299S PAGE 44		414C PAGE 61		257 PAGE 67
	V-STAT PAGE 38		SM32 PAGE 44		SAPV PAGE 61		258 PAGE 67
	VA-STAT PAGE 38		SM32A PAGE 44		SAPVR PAGE 61		254 PAGE 68
	A-STAT PAGE 38		SM32SA PAGE 45		SW PAGE 62		251 PAGE 68
	BD-STAT PAGE 39		SM32N PAGE 45		SWD PAGE 62		FR1 PAGE 68
	OH-STAT PAGE 39		SM32NB PAGE 45		SWDW PAGE 62		FR2 PAGE 69
	J-STAT PAGE 39		SM32/SL PAGE 46		SWP PAGE 62		FR3 PAGE 69
	EMU PAGE 40		SM32X PAGE 46		APV SIM PAGE 62		FR4 PAGE 69
	EMUC PAGE 40		SF PAGE 47-53		280 PAGE 63		
	299E PAGE 40		SM3 PAGE 54		280TL PAGE 63		
	CONTH PAGE 41		SR2 PAGE 54		280L PAGE 63		
	299H PAGE 41		SU2 PAGE 55		280W PAGE 64		
	SARLIN PAGE 42		SR3 PAGE 55		282 PAGE 64		
			SR3M PAGE 56				

first4seals® - Cross Reference Chart

Page	FRST4SEALS	BURGMANN	CRANE (Flexibox)	FLOWSERVE (Pac-Seal)	LATTY	ROPLAN	ROTEN	AESSEAL	VULCAN	OTHER MANUFACTURERS
34	G4	G4						S01	8.STD	
34	G4/SL	S5						S01SL		
35	G9 DINL	G9		8L				S02	8.DINL	
35	G6 DINS	G6	BS	8S				S03	8.DINS	
36	G61/522		N (Din)					S04	24 STAT	
36	G60	G60	M					S040	19B STAT	
36	G46 DINL			4L			D	S05	24.DINL	
37	DINS		B0	4S				S06	24.DINS	
37	H-STAT/HA-STAT		W Type	1H			W	S07/S070	21/31	
38	V-STAT/VA-STAT		V				V	S08/S080	25	
38	A-STAT		A					S09	23	
39	BD-STAT		BD,BP					S010		
39	OH-STAT		H					S0H		
39	J-STAT		J					S0J		
40	EMU / EMUC							S0E/S0EC		EMU
42	SARLIN/SARLINS							S0S/S0SS		Grundfos Sarlin
41	CONTH					R53		S0Z		Alfa Laval Contherm
43	SSAB							SAB		Sabroe
40	299E							SAIE		EMU
41	299H							SAIH		Hidrostal
44	299S							SSAI		Ropac Normopac 33
22	299SA/U					201		SSAIS06		Grundfos Sarlin
44	SM32	M32/M377		38	T800		L4B	T01	8	
44	SM32A	M377 SPECIAL						T01A		
45	SM32N	M32N/M377N		38D				T01D	8.DIN	
45	SM32NB	H12N						T01DB		Hecker HN 430N
45	SM32SA	M377S11						T01SA		Grundfos Sarlin
46	SM32/SL	M3255						T01SL		
47-53	SF	M2S11		FRI		R51		T01F		Fristam
46	SM32X							T01X		Anema
46	SM3	M3		39				T02	8B	
54	SR2	BT-RN		42	T900		2	T03	12	
55	SU2	BT-RN.NU		42D	T900D		UNITEN 2	T03D	12.DIN	
55	SR3	BT-FN		43	T901	R62	3	T04	13	
56	SU3	BT-FN.NU		43D	T901D	R62D	UNITEN 3	T04D	13.DIN	Lowara
56	SR3M							T04-MONO		Mono
56	2FL							T05	06	Flygt
60	SU5K	BT-FH					UNITEN 5K	T06D		Lowara
60	SM29	M2					22	T07		Hecker HN 400A
60	SM29D	M2N					UNITEN 22	T07D		Hecker HN 400A
60	SM29X							T07X		Westfalia
61	414C(COPELAND)							T0C		Copeland
61	SAPV / SAPVR					R53	L/P/3P	T0R/T0RV		APV & Huhnseal CO
62	SW			AWS				T0W		APV W
62	SWD			AWD				T0WD		APV W
62	SWDW							T0WDW		APV DW
62	SWP			AWP				T0WP		APV W+
62	APV SIM							T0WS		APV
63	280		80 (DF/FP)	168	T150	800/850	7K	W01	1688	
63	280TL	M7KS60						W01-TL		Johnson TL
63	280L						UNITEN 7K	W02	1688L	
64	280W/282		87 (EI/EC)			RTH87/R90		W03/W03S	1688W	Alfa Laval SSP SR
64	280Y					RT73		W04	1688Y	Johnson Classic
65	285	HRZ60				RT72		W06		Johnson OL
65	270	M7N/M78N		Europac 600				W07DM	1677	
65	SAPVZMS5							W08		APV ZMS-5/6
66	255					RTH88		W09		IBEX MOG
66	255CL					852/821/822		W09-CL		
67	256					R900		W010		APV Howard CL
67	257							W011		Inoxpa Prolac & SLR
67	258							W013		Waukesha Universal I
68	254	MS30/MS32						W014		ABS
68	251							W015		Jabsco
68	FR1							W0FA		Fristam
69	FR2/FR3							W0FB/W0FBC		Fristam
69	FR4							W0FC		Fristam

SMG1/AL

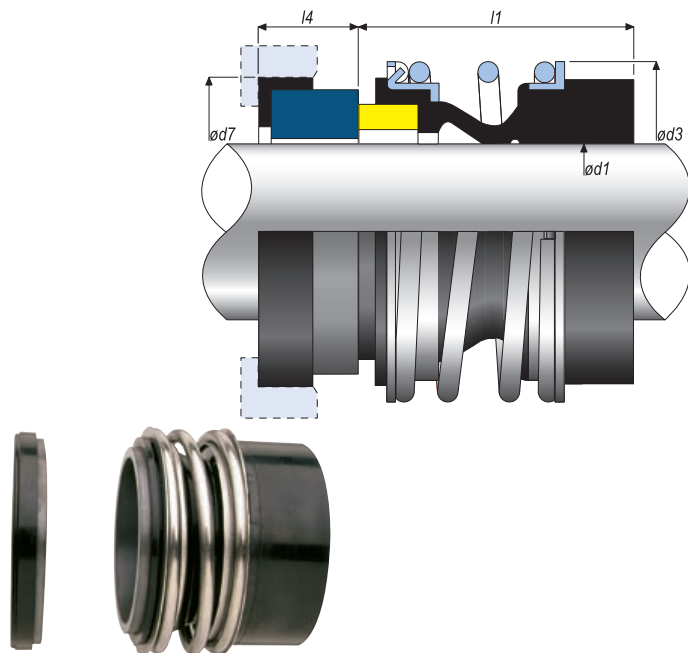
Seals to suit Alfa Laval ALC Pumps (D Series Seals)



d1		d3		d7		l1		l4	
Metric	Inches	Metric	Inches	Metric	Inches	Metric	Inches	Metric	Inches
40.0	1.575	60.0	2.362	58.0	2.283	30.0	1.181	14.0	0.551
53.0	2.087	76.0	2.992	73.0	2.875	33.0	1.299	15.0	0.591
60.0	2.362	85.0	3.346	80.0	3.150	38.0	1.496	15.0	0.591

SS

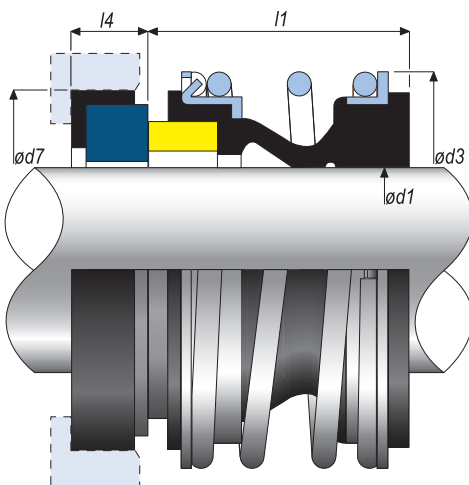
Seals to suit KSB Pumps



d1		d3		d7		l1		l4	
Metric	Inches	Metric	Inches	Metric	Inches	Metric	Inches	Metric	Inches
10.0	0.390	20.0	0.787	19.6	0.771	26.0	1.024	6.6	0.260
15.0	0.591	25.0	0.984	25.0	0.984	28.4	1.118	6.6	0.260
16.0	0.630	26.0	1.023	27.0	1.062	22.2	0.874	12.1	0.476
22.0	0.866	36.0	1.417	37.0	1.457	25.5	1.004	12.1	0.476
28.0	1.102	47.0	1.850	43.0	1.693	36.5	1.437	14.4	0.566
38.0	1.496	58.0	2.283	56.0	2.205	42.0	1.654	13.2	0.519
48.0	1.890	69.3	2.717	66.0	2.598	50.5	1.988	9.6	0.377

SMG1X

Special version of SMG1 Seal complete with boot mounted seat

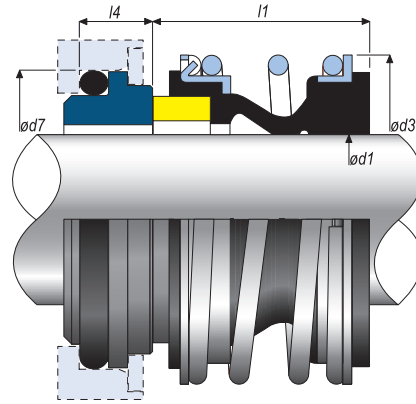


d1		d3		d7		l1		l4	
Metric	Inches	Metric	Inches	Metric	Inches	Metric	Inches	Metric	Inches
15.0	0.591	28.0	1.102	35.0	1.378	17.0	0.669	3.9	0.154
17.0	0.669	31.0	1.220	33.0	1.299	19.5	0.768	7.5	0.295
20.0	0.787	36.0	1.417	36.5	1.437	21.5	0.846	12.0	0.472
25.0	0.984	41.0	1.614	40.0	1.575	22.5	0.886	7.5	0.295
30.0	1.181	47.0	1.850	50.8	2.000	23.0	0.906	9.5	0.374
32.0	1.260	51.0	2.008	48.0	1.890	40.0	1.575	7.5	0.295
32.0 (B)	1.260	51.0	2.008	50.8	2.000	33.7	1.327	12.6	0.496
40.0	1.575	60.0	2.362	50.8	2.000	30.0	1.181	12.7	0.500
45.0	1.772	65.0	2.559	65.0	2.559	30.0	1.181	12.5	0.492

Special version of SMG1 seal complete with o-ring mounted seat

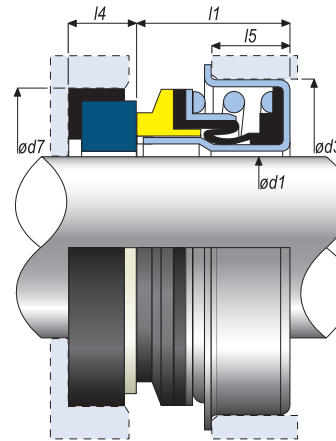
SMG1XS

d1		d3		d7		l1		l4	
Metric	Inches	Metric	Inches	Metric	Inches	Metric	Inches	Metric	Inches
48.0	1.890	69.0	2.717	67.0	2.638	30.5	1.201	10.3	0.406
65.0	2.559	90.0	3.543	86.0	3.386	38.0	1.496	13.5	0.531
100.0	3.937	136.0	5.354	123.3	4.854	44.7	1.760	14.0	0.551



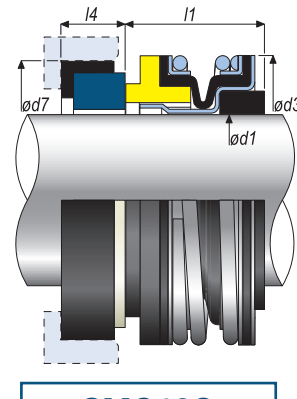
268/269

	d1		d3		d7		l1		l4		l5	
	Metric	Inches	Metric	Inches	Metric	Inches	Metric	Inches	Metric	Inches	Metric	Inches
268	13.0	0.500	28.5	1.125	25.0	0.985	13.2	0.520	5.0	0.197	8.0	0.315
269	13.0	0.500	28.5	1.125	25.4	1.000	13.8	0.543	7.9	0.312	8.0	0.315
268	17.0	0.625	36.4	1.435	31.0	1.220	14.8	0.583	5.0	0.197	8.0	0.315
268	17.0(B)	0.625	36.4	1.435	27.4	1.078	14.8	0.583	5.3	0.208	8.0	0.315
269	17.0	0.625	36.4	1.435	31.7	1.250	15.4	0.605	10.3	0.406	8.0	0.315
268	20.0	0.750	40.0	1.575	35.0	1.378	15.5	0.610	5.0	0.197	9.5	0.374
268	20.0(B)	0.750	40.0	1.575	39.0	1.535	15.5	0.61	5.0	0.197	9.5	0.374
269	20.0	0.750	40.0	1.575	34.9	1.375	15.4	0.605	10.3	0.406	9.5	0.374
268	30.0	1.125	52.0	2.047	48.0	1.890	19.0	0.748	8.0	0.315	11.0	0.433



216/217

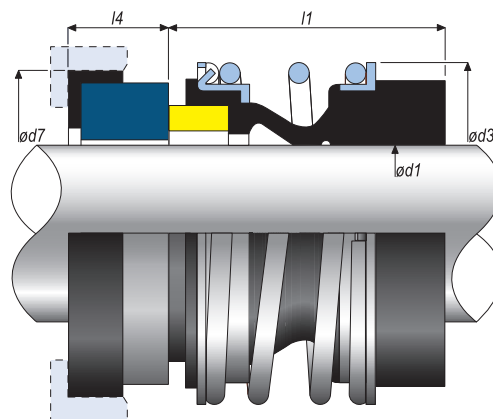
	d1		d3		d7		l1		l4	
	Metric	Inches	Metric	Inches	Metric	Inches	Metric	Inches	Metric	Inches
216	9.5	0.375	24.0	0.945	22.2	0.875	16.0	0.631	6.2	0.244
217	9.5	0.375	27.0	1.063	25.4	1.000	16.6	0.654	7.9	0.312
216	12.7	0.500	27.0	1.063	25.4	1.000	16.6	0.654	6.2	0.244
217	12.7	0.500	27.0	1.063	25.4	1.000	16.6	0.654	7.9	0.312
216	15.8	0.625	31.0	1.220	31.7	1.250	18.7	0.736	10.3	0.406
217	15.8	0.625	31.0	1.220	31.7	1.250	18.2	0.716	10.3	0.406
216	19.1	0.750	34.2	1.348	34.9	1.375	18.7	0.736	10.3	0.406
217	19.1	0.750	34.2	1.348	34.9	1.375	18.2	0.716	10.3	0.406
216	25.4	1.000	43.0	1.693	41.2	1.625	20.6	0.811	11.1	0.437



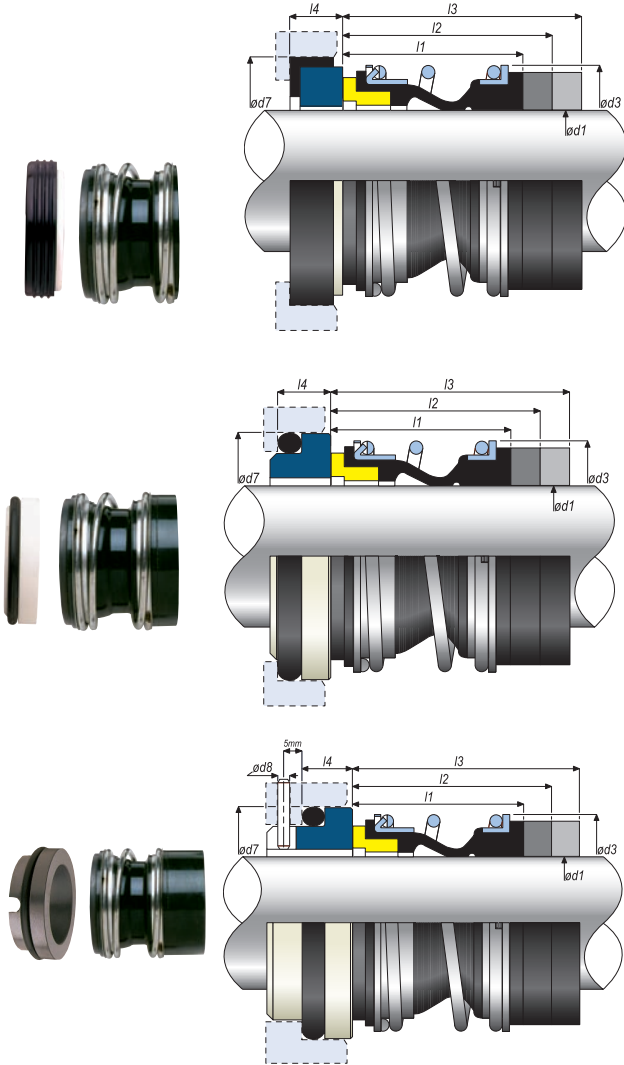
Seals to suit Grundfos Pumps

SMG12G

d1		d3		d7		l1		l4	
Metric	Inches	Metric	Inches	Metric	Inches	Metric	Inches	Metric	Inches
12.0	0.472	24.0	0.945	23.0	0.906	25.9	1.020	15.0	0.591
16.0	0.630	28.0	1.102	27.0	1.063	28.4	1.118	12.3	0.484
22.0	0.866	36.0	1.417	37.0	1.457	30.0	1.181	11.1	0.437
33.0	1.299	51.0	2.008	48.0	1.890	35.0	1.378	7.5	0.295



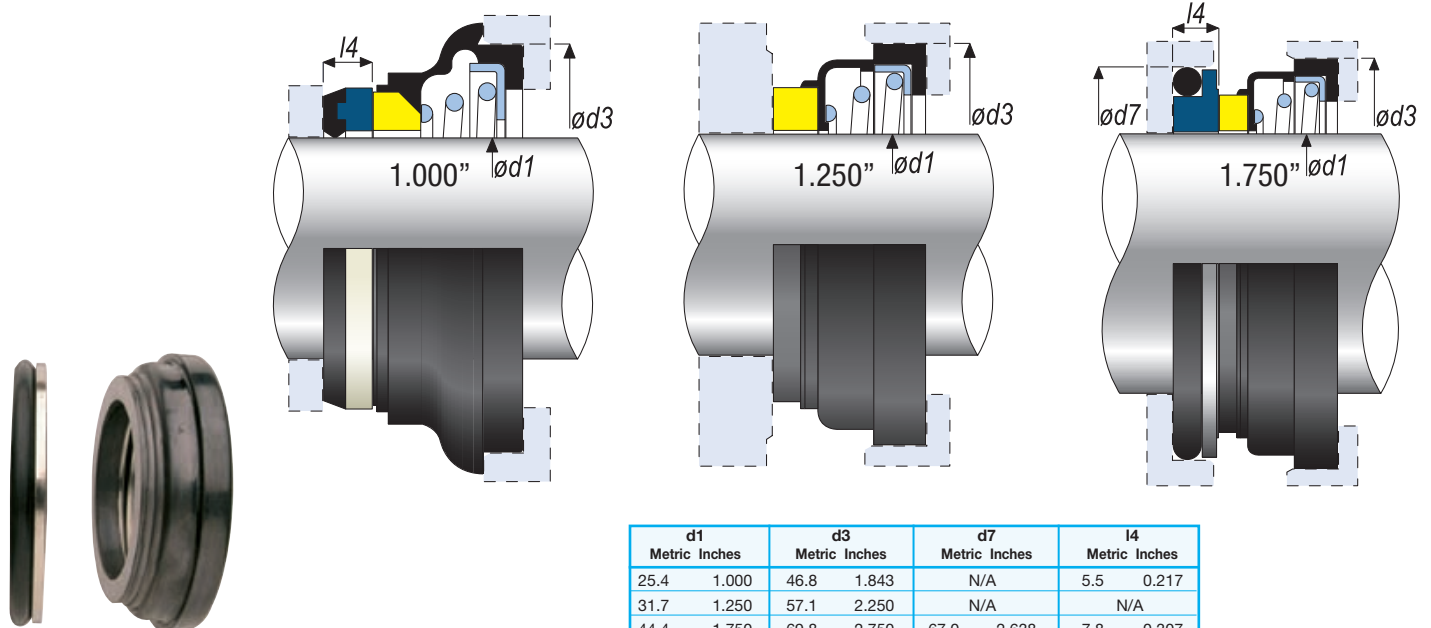
540/542/543



d1	d3	d7	d8	I1 (540)	I2 (542)	I3 (543)	I4								
Metric Inches	Metric Inches	Metric Inches	Metric Inches	Metric Inches	Metric Inches	Metric Inches	Metric Inches								
10.0	0.394	20.0	0.787	21.0	0.827	3.0	0.118	13.4	0.528	25.9	1.020	33.4	1.315	6.6	0.260
12.0	0.473	22.0	0.866	23.0	0.906	3.0	0.118	14.4	0.567	25.9	1.020	33.4	1.315	6.6	0.260
14.0	0.551	24.0	0.945	25.0	0.984	3.0	0.118	14.4	0.567	28.4	1.118	33.4	1.315	6.6	0.260
16.0	0.630	26.0	1.024	27.0	1.063	3.0	0.118	14.4	0.567	28.4	1.118	33.4	1.315	6.6	0.260
18.0	0.709	32.0	1.260	30.0	1.299	3.0	0.118	18.5	0.728	30.0	1.181	37.5	1.476	7.5	0.295
20.0	0.787	34.0	1.339	35.0	1.378	3.0	0.118	18.5	0.728	30.0	1.181	37.5	1.476	7.5	0.295
22.0	0.866	36.0	1.417	37.0	1.457	3.0	0.118	18.5	0.728	30.0	1.181	37.5	1.476	7.5	0.295
24.0	0.945	38.0	1.496	39.0	1.535	3.0	0.118	18.5	0.728	32.5	1.280	42.5	1.673	7.5	0.295
25.0	0.984	39.0	1.535	40.0	1.575	3.0	0.118	18.5	0.728	32.5	1.280	42.5	1.673	7.5	0.295
28.0	1.102	42.0	1.654	43.0	1.693	3.0	0.118	24.5	0.965	35.0	1.378	42.5	1.673	7.5	0.295
30.0	1.181	44.0	1.732	45.0	1.772	3.0	0.118	25.5	1.004	35.0	1.378	42.5	1.673	7.5	0.295
32.0	1.260	46.0	1.811	48.0	1.890	3.0	0.118	25.5	1.004	35.0	1.378	47.5	1.870	7.5	0.295
33.0	1.299	47.0	1.850	48.0	1.890	3.0	0.118	25.5	1.004	35.0	1.378	47.5	1.870	7.5	0.295
35.0	1.378	49.0	1.929	50.0	1.969	3.0	0.118	26.5	1.043	35.0	1.378	47.5	1.870	7.5	0.295
38.0	1.496	54.0	2.126	56.0	2.205	4.0	0.157	29.0	1.142	36.0	1.417	46.0	1.811	9.0	0.354
40.0	1.575	56.0	2.205	58.0	2.283	4.0	0.157	29.0	1.142	36.0	1.417	46.0	1.811	9.0	0.354
43.0	1.693	59.0	2.323	61.0	2.402	4.0	0.157	29.0	1.142	36.0	1.417	51.0	2.008	9.0	0.354
45.0	1.772	61.0	2.402	63.0	2.480	4.0	0.157	29.0	1.142	36.0	1.417	51.0	2.008	9.0	0.354
48.0	1.890	64.0	2.520	66.0	2.598	4.0	0.157	31.0	1.220	36.0	1.417	51.0	2.008	9.0	0.354
50.0	1.969	66.0	2.598	70.0	2.756	4.0	0.157	30.5	1.201	38.0	1.496	50.5	1.988	9.5	0.374
53.0	2.087	69.0	2.717	73.0	2.874	4.0	0.157	29.0	1.142	36.5	1.437	59.0	2.323	11.0	0.433
55.0	2.165	71.0	2.795	75.0	2.953	4.0	0.157	29.0	1.142	36.5	1.437	59.0	2.323	11.0	0.433
58.0	2.283	78.0	3.071	78.0	3.071	4.0	0.157	32.0	1.260	41.5	1.634	59.0	2.323	11.0	0.433
60.0	2.362	80.0	3.150	80.0	3.150	4.0	0.157	34.0	1.339	41.5	1.634	59.0	2.323	11.0	0.433
65.0	2.559	85.0	3.346	85.0	3.346	4.0	0.157	34.0	1.339	41.5	1.634	69.0	2.717	11.0	0.433
68.0	2.677	88.0	3.465	90.0	3.543	4.0	0.157	33.7	1.327	41.2	1.622	68.7	2.705	11.3	0.445
70.0	2.756	90.0	3.543	92.0	3.622	4.0	0.157	33.7	1.327	48.7	1.917	68.7	2.705	11.3	0.445
75.0	2.953	99.0	3.898	97.0	3.819	4.0	0.157	40.7	1.602	48.7	1.917	68.7	2.705	11.3	0.445
80.0	3.150	104.5	4.114	105.0	4.134	4.0	0.157	40.5	1.594	48.0	1.890	78.0	3.071	12.0	0.472
85.0	3.346	109.0	4.291	110.0	4.331	4.0	0.157	38.5	1.516	46.0	1.811	76.0	2.992	14.0	0.551
90.0	3.543	114.0	4.488	115.0	4.528	4.0	0.157	38.5	1.516	51.0	2.008	76.0	2.992	14.0	0.551
95.0	3.740	119.0	4.685	120.0	4.724	4.0	0.157	38.5	1.516	51.0	2.008	76.0	2.992	14.0	0.551
100.0	3.937	124.0	4.882	125.0	4.921	4.0	0.157	38.5	1.516	51.0	2.008	76.0	2.992	14.0	0.551

MAC

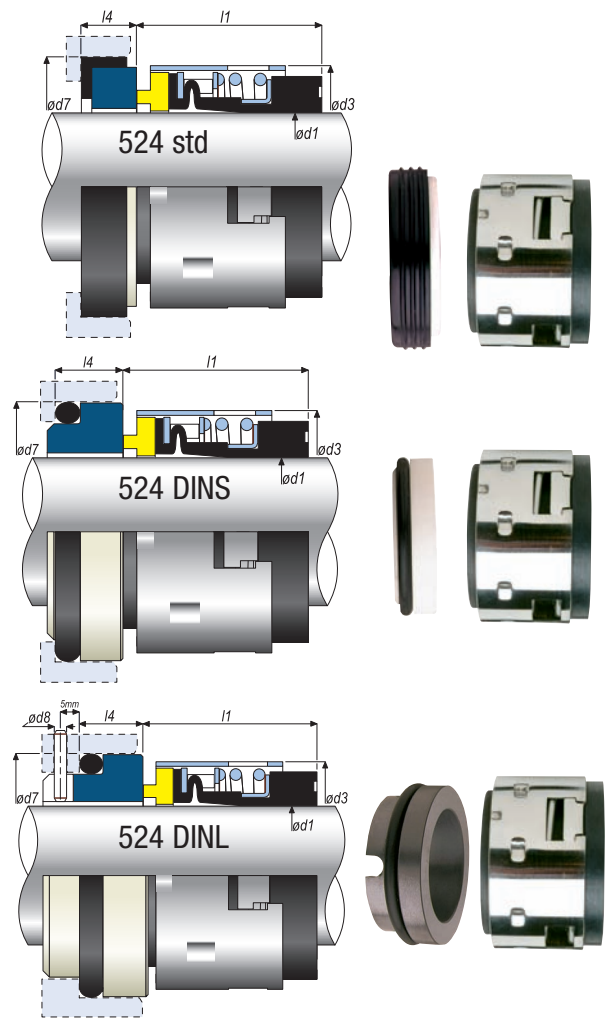
Seal to suit Haigh Macerator



d1	d3	d7	I4				
Metric Inches	Metric Inches	Metric Inches	Metric Inches				
25.4	1.000	46.8	1.843	N/A	5.5	0.217	
31.7	1.250	57.1	2.250	N/A	N/A		
44.4	1.750	69.8	2.750	67.0	2.638	7.8	0.307

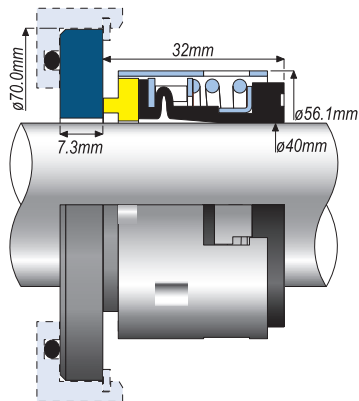
d1		d3		d7		d8		l1		l4	
Metric	Inches	Metric	Inches	Metric	Inches	Metric	Inches	Metric	Inches	Metric	Inches
12.0	0.472	22.00	0.866	23.00	0.906	3.0	0.118	23.9	0.941	8.6	0.339
14.0	0.551	24.10	0.949	25.00	0.984	3.0	0.118	26.4	1.039	8.6	0.339
16.0	0.630	26.20	1.031	27.00	1.063	3.0	0.118	26.4	1.039	8.6	0.339
18.0	0.709	32.20	1.268	33.00	1.299	3.0	0.118	27.5	1.083	10.0	0.394
20.0	0.787	33.90	1.335	35.00	1.378	3.0	0.118	27.5	1.083	10.0	0.394
22.0	0.866	36.10	1.421	37.00	1.457	3.0	0.118	27.5	1.083	10.0	0.394
24.0	0.945	38.10	1.500	39.00	1.535	3.0	0.118	30.0	1.181	10.0	0.394
25.0	0.984	38.80	1.528	40.00	1.575	3.0	0.118	30.0	1.181	10.0	0.394
28.0	1.102	42.10	1.657	43.00	1.693	3.0	0.118	32.5	1.280	10.0	0.394
30.0	1.181	44.20	1.740	45.00	1.772	3.0	0.118	32.5	1.280	10.0	0.394
32.0	1.260	45.80	1.803	48.00	1.890	3.0	0.118	32.5	1.280	10.0	0.394
33.0	1.299	46.90	1.846	48.00	1.890	3.0	0.118	32.5	1.280	10.0	0.394
35.0	1.378	48.80	1.921	50.00	1.969	3.0	0.118	32.5	1.280	10.0	0.394
38.0	1.496	54.20	2.134	56.00	2.205	4.0	0.157	34.0	1.339	11.0	0.433
40.0	1.575	56.10	2.209	58.00	2.283	4.0	0.157	34.0	1.339	11.0	0.433
43.0	1.693	58.80	2.315	61.00	2.402	4.0	0.157	34.0	1.339	11.0	0.433
45.0	1.772	60.90	2.398	63.00	2.480	4.0	0.157	34.0	1.339	11.0	0.433
48.0	1.890	64.10	2.524	66.00	2.598	4.0	0.157	34.0	1.339	11.0	0.433
50.0	1.969	66.20	2.606	70.00	2.756	4.0	0.157	34.5	1.358	13.0	0.512
53.0	2.087	69.10	2.720	73.00	2.874	4.0	0.157	34.5	1.358	13.0	0.512
55.0	2.165	71.10	2.799	75.00	2.953	4.0	0.157	34.5	1.358	13.0	0.512
58.0	2.283	78.20	3.079	78.00	3.071	4.0	0.157	39.5	1.555	13.0	0.512
60.0	2.362	79.90	3.146	80.00	3.150	4.0	0.157	39.5	1.555	13.0	0.512
63.0	2.480	82.80	3.260	83.00	3.268	4.0	0.157	39.5	1.555	13.0	0.512
65.0	2.559	85.10	3.350	85.00	3.346	4.0	0.157	39.5	1.555	13.0	0.512
70.0	2.756	90.00	3.543	92.00	3.622	4.0	0.157	44.7	1.760	15.3	0.602
75.0	2.953	97.00	3.819	97.00	3.819	4.0	0.157	44.7	1.760	15.3	0.602
80.0	3.149	104.00	4.094	105.00	4.133	4.0	0.157	44.3	1.744	15.7	0.618
85.0	3.346	108.00	4.251	110.00	4.330	4.0	0.157	44.3	1.744	15.7	0.618
90.0	3.543	114.00	4.488	115.00	4.527	4.0	0.157	49.3	1.940	15.7	0.618
95.0	3.740	118.00	4.645	120.00	4.724	4.0	0.157	49.3	1.940	15.7	0.618
100.0	3.937	124.00	4.881	125.00	4.921	4.0	0.157	49.3	1.940	15.7	0.618

524/DINS/DINL



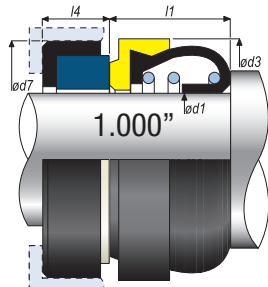
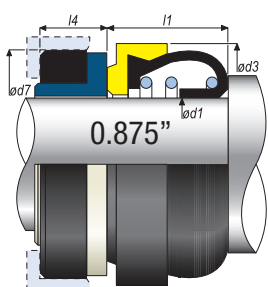
Seal to suit Godwin CD80, CD100 and CD150 Models

524/GW

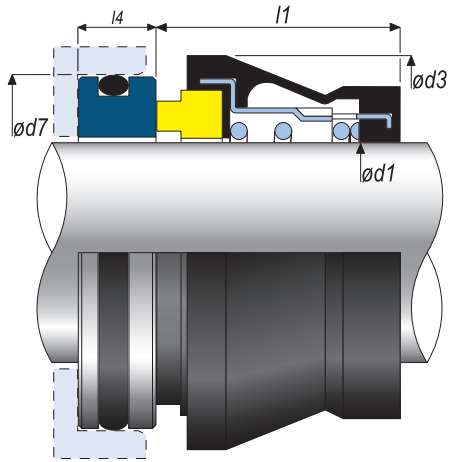


SJ6

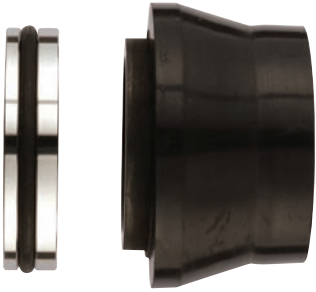
d1		d3		d7		l1		l4	
Metric	Inches	Metric	Inches	Metric	Inches	Metric	Inches	Metric	Inches
22.2	0.875	45.5	1.791	40.5	1.594	16.0	0.629	10.5	0.413
25.4	1.000	49.0	1.929	47.6	1.874	16.0	0.629	11.5	0.453



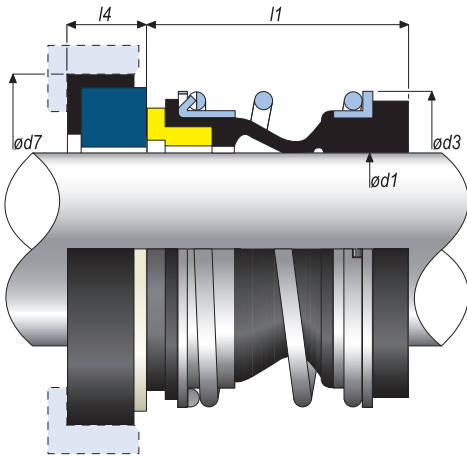
SHCH/L



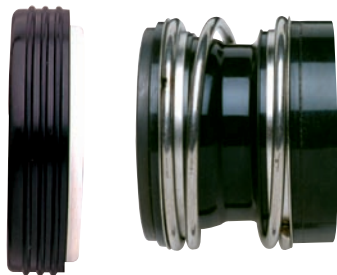
d1		d3		d7		l1		l4	
Metric	Inches	Metric	Inches	Metric	Inches	Metric	Inches	Metric	Inches
20.0	0.787	40.0	1.575	35.7	1.406	27.0	1.063	10.3	0.406
25.0	0.984	45.0	1.772	40.5	1.594	27.0	1.063	9.5	0.374
30.0	1.181	53.0	2.087	50.8	2.000	27.0	1.063	11.5	0.453
35.0	1.378	62.0	2.441	53.9	2.125	35.0	1.378	11.5	0.453
40.0	1.575	65.0	2.559	60.4	2.375	35.0	1.378	11.5	0.453
45.0	1.772	70.0	2.756	63.5	2.500	42.0	1.654	11.5	0.453
50.0	1.969	77.0	3.031	69.9	2.750	42.0	1.654	13.5	0.531
60.0	2.362	85.0	3.346	79.4	3.125	42.0	1.654	15.0	0.591



152

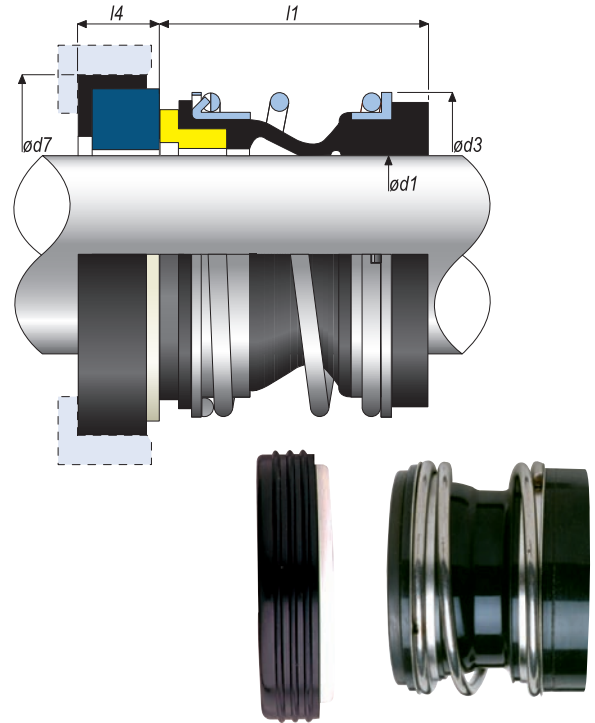


d1		d3		d7		l1		l4	
Metric	Inches	Metric	Inches	Metric	Inches	Metric	Inches	Metric	Inches
10.0	0.394	20.0	0.787	24.6	0.969	25.4	1.000	8.7	0.344
12.0	0.473	22.0	0.866	27.7	1.094	25.4	1.000	8.7	0.344
13.0	0.512	22.0	0.866	27.7	1.094	25.4	1.000	8.7	0.344
14.0	0.551	24.0	0.945	30.9	1.219	25.4	1.000	10.3	0.406
15.0	0.591	25.0	0.984	30.9	1.219	25.4	1.000	10.3	0.406
16.0	0.630	26.0	1.024	30.9	1.219	25.4	1.000	10.3	0.406
18.0	0.709	32.0	1.260	34.1	1.344	25.4	1.000	10.3	0.406
19.0	0.748	32.0	1.260	34.1	1.344	25.4	1.000	10.3	0.406
20.0	0.787	34.0	1.339	35.7	1.406	25.4	1.000	10.3	0.406
22.0	0.866	36.0	1.417	37.3	1.469	25.4	1.000	10.3	0.406
24.0	0.945	38.0	1.496	40.5	1.594	25.4	1.000	10.3	0.406
25.0	0.984	39.0	1.535	40.5	1.594	25.4	1.000	10.3	0.406
28.0	1.102	42.0	1.654	47.6	1.875	33.3	1.313	11.9	0.472
30.0	1.181	44.0	1.732	50.8	2.000	33.3	1.313	11.9	0.472
32.0	1.260	46.0	1.811	50.8	2.000	33.3	1.313	11.9	0.472
33.0	1.299	47.0	1.850	53.9	2.125	33.3	1.313	11.9	0.472
35.0	1.378	49.0	1.929	53.9	2.125	33.3	1.313	11.9	0.472
38.0	1.496	54.0	2.126	57.1	2.250	33.3	1.313	11.9	0.472
40.0	1.575	56.0	2.205	60.3	2.375	33.3	1.313	11.9	0.472
42.0	1.654	59.0	2.323	63.5	2.500	40.4	1.594	11.9	0.472
43.0	1.693	59.0	2.323	63.5	2.500	40.4	1.594	11.9	0.472
44.0	1.732	59.0	2.323	63.5	2.500	40.4	1.594	11.9	0.472
45.0	1.772	61.0	2.402	63.5	2.500	40.4	1.594	11.9	0.472
48.0	1.890	64.0	2.520	66.7	2.625	40.4	1.594	11.9	0.472
50.0	1.969	66.0	2.598	69.8	2.750	40.4	1.594	13.5	0.531
53.0	2.087	69.0	2.717	73.0	2.875	41.0	1.614	13.5	0.531
55.0	2.165	71.0	2.795	76.2	3.000	41.0	1.614	13.5	0.531
58.0	2.283	78.0	3.071	79.4	3.125	41.0	1.614	13.5	0.531
60.0	2.362	80.0	3.150	79.4	3.125	41.0	1.614	13.5	0.531
63.0	2.480	83.0	3.268	82.5	3.250	41.0	1.614	13.5	0.531
65.0	2.559	85.0	3.346	92.1	3.625	49.0	1.929	15.9	0.626
70.0	2.756	90.0	3.543	95.2	3.750	49.0	1.929	15.9	0.626
73.0	2.874	96.0	3.780	98.4	3.875	49.0	1.929	15.9	0.626
75.0	2.953	99.0	3.898	101.6	4.000	49.0	1.929	15.9	0.626



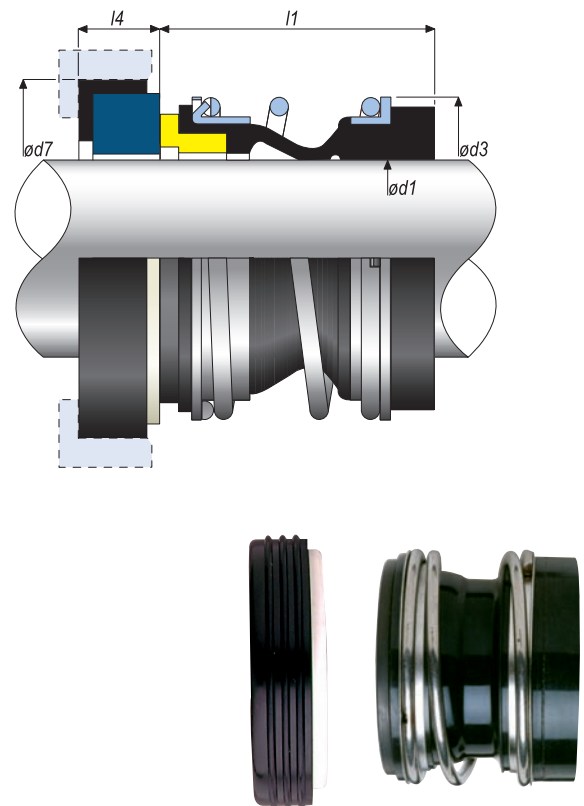
152

d1		d3		d7		l1		l4	
Metric	Inches	Metric	Inches	Metric	Inches	Metric	Inches	Metric	Inches
9.5	0.375	20.0	0.787	24.6	0.969	25.4	1.000	8.7	0.344
12.7	0.500	22.0	0.866	27.7	1.094	25.4	1.000	8.7	0.344
15.8	0.625	26.0	1.024	30.9	1.219	25.4	1.000	10.3	0.406
19.1	0.750	32.0	1.260	34.1	1.334	25.4	1.000	10.3	0.406
22.2	0.875	36.0	1.417	37.3	1.469	25.4	1.000	10.3	0.406
25.4	1.000	39.0	1.535	40.5	1.594	25.4	1.000	10.3	0.406
28.6	1.125	42.0	1.654	47.6	1.875	33.3	1.313	11.9	0.472
31.7	1.250	46.0	1.811	50.8	2.000	33.3	1.313	11.9	0.472
34.9	1.375	49.0	1.929	53.9	2.125	33.3	1.313	11.9	0.472
38.1	1.500	54.0	2.126	57.1	2.250	33.3	1.313	11.9	0.472
41.2	1.625	56.0	2.205	60.3	2.375	33.3	1.313	11.9	0.472
44.4	1.750	61.0	2.402	63.5	2.500	40.4	1.594	11.9	0.472
47.6	1.875	64.0	2.520	66.7	2.625	40.4	1.594	11.9	0.472
50.8	2.000	66.0	2.598	69.8	2.750	40.4	1.594	13.5	0.531
53.9	2.125	69.0	2.717	73.0	2.875	41.0	1.614	13.5	0.531
57.1	2.250	78.0	3.071	76.2	3.000	41.0	1.614	13.5	0.531
60.3	2.375	80.0	3.150	79.4	3.125	41.0	1.614	13.5	0.531
63.5	2.500	83.0	3.268	82.5	3.250	41.0	1.614	13.5	0.531
66.6	2.625	85.0	3.346	92.1	3.625	49.0	1.929	15.9	0.626
69.8	2.750	90.0	3.543	95.2	3.750	49.0	1.929	15.9	0.626
73.0	2.875	96.0	3.780	98.4	3.875	49.0	1.929	15.9	0.626
76.2	3.000	99.0	3.898	101.6	4.000	49.0	1.929	15.9	0.626

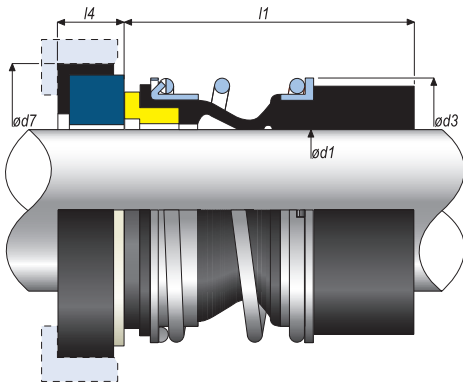


151A

d1		d3		d7		l1		l4	
Metric	Inches	Metric	Inches	Metric	Inches	Metric	Inches	Metric	Inches
12.7	0.500	22.0	0.866	25.4	1.000	20.6	0.812	7.9	0.312
15.8	0.625	26.0	1.024	31.7	1.250	22.2	0.875	10.3	0.405
19.1	0.750	32.0	1.260	34.9	1.375	22.2	0.875	10.3	0.405
22.2	0.875	36.0	1.417	38.1	1.500	23.8	0.937	10.3	0.405
25.4	1.000	39.0	1.535	41.2	1.625	25.4	1.000	11.1	0.437
28.6	1.125	42.0	1.654	44.4	1.750	26.9	1.062	11.1	0.437
31.7	1.250	46.0	1.811	47.6	1.875	26.9	1.062	11.1	0.437
34.9	1.375	49.0	1.929	50.8	2.000	28.5	1.125	11.1	0.437
38.1	1.500	54.0	2.125	53.9	2.125	28.5	1.125	11.1	0.437
41.2	1.625	56.0	2.205	60.3	2.375	34.9	1.375	12.7	0.500
44.4	1.750	61.0	2.402	63.5	2.500	34.9	1.375	12.7	0.500
47.6	1.875	64.0	2.520	66.6	2.625	38.1	1.500	12.7	0.500
50.8	2.000	66.0	2.598	69.8	2.750	38.1	1.500	12.7	0.500
53.9	2.125	69.0	2.717	76.2	3.000	42.8	1.688	14.2	0.562
57.1	2.250	78.0	3.071	79.3	3.125	42.8	1.688	14.2	0.562
60.3	2.375	80.0	3.150	82.5	3.250	46.0	1.812	14.2	0.562
63.5	2.500	83.0	3.268	85.7	3.375	46.0	1.812	14.2	0.562
66.6	2.625	85.0	3.346	85.7	3.375	49.2	1.937	15.9	0.562
69.8	2.750	90.0	3.543	88.9	3.500	49.2	1.937	15.9	0.625
73.0	2.875	96.0	3.780	95.2	3.750	52.3	2.062	15.9	0.625
76.2	3.000	99.0	3.898	98.4	3.875	52.3	2.062	15.9	0.625

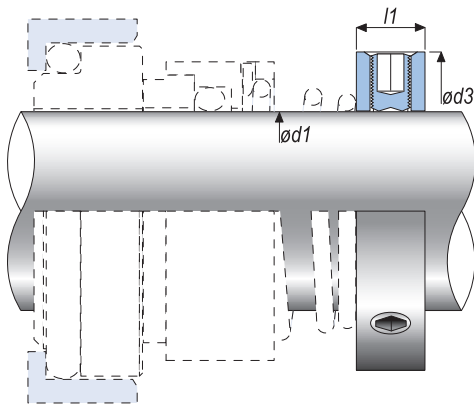


152A



d1		d3		d7		l1		l4	
Metric	Inches	Metric	Inches	Metric	Inches	Metric	Inches	Metric	Inches
12.7	0.500	22.0	0.866	25.4	1.000	31.7	1.250	7.9	0.312
15.8	0.625	26.0	1.024	31.7	1.250	34.9	1.375	10.3	0.405
19.1	0.750	32.0	1.260	34.9	1.375	34.9	1.375	10.3	0.405
22.2	0.875	36.0	1.417	38.1	1.500	36.5	1.437	10.3	0.405
25.4	1.000	39.0	1.535	41.2	1.625	41.2	1.625	11.1	0.437
28.6	1.125	42.0	1.654	44.4	1.750	42.8	1.687	11.1	0.437
31.7	1.250	46.0	1.811	47.6	1.875	42.8	1.687	11.1	0.437
34.9	1.375	49.0	1.929	50.8	2.000	42.8	1.687	11.1	0.437
38.1	1.500	54.0	2.125	53.9	2.125	42.8	1.687	11.1	0.437
41.2	1.625	56.0	2.205	60.3	2.375	50.8	2.000	12.7	0.500
44.4	1.750	61.0	2.402	63.5	2.500	50.8	2.000	12.7	0.500
47.6	1.875	64.0	2.520	66.6	2.625	53.9	2.125	12.7	0.500
50.8	2.000	66.0	2.598	69.8	2.750	53.9	2.125	12.7	0.500
53.9	2.125	69.0	2.717	76.2	3.000	60.3	2.375	14.2	0.562
57.1	2.250	78.0	3.071	79.3	3.125	60.3	2.375	14.2	0.562
60.3	2.375	80.0	3.150	82.5	3.250	63.5	2.500	14.2	0.562
63.5	2.500	83.0	3.268	85.7	3.375	63.5	2.500	14.2	0.562
66.6	2.625	85.0	3.346	85.7	3.375	69.8	2.750	15.9	0.626
69.8	2.750	90.0	3.543	88.9	3.500	69.8	2.750	15.9	0.626
73.0	2.875	96.0	3.780	95.2	3.750	73.0	2.875	15.9	0.626
76.2	3.000	99.0	3.988	98.4	3.875	73.0	2.875	15.9	0.626

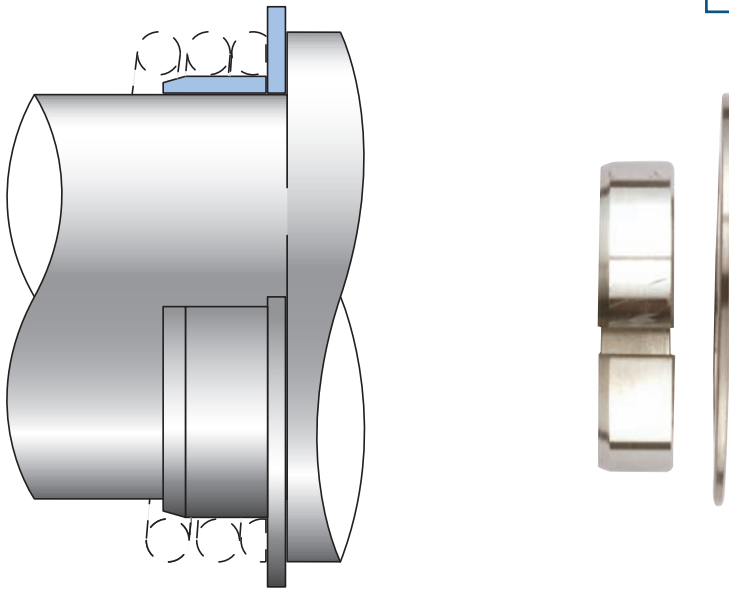
CLAMP1



d1		d3		l1	
Metric	Inches	Metric	Inches	Metric	Inches
12.0	0.472	21.0	0.827	7.5	0.295
12.7	0.500	21.0	0.827	7.5	0.295
14.0	0.551	23.0	0.906	7.5	0.295
15.0	0.591	24.0	0.945	7.5	0.295
15.8	0.625	25.0	0.984	7.5	0.295
16.0	0.630	25.0	0.984	7.5	0.295
18.0	0.709	31.0	1.220	7.5	0.295
19.1	0.750	31.0	1.220	7.5	0.295
20.0	0.787	33.0	1.299	7.5	0.295
22.0	0.866	35.0	1.378	7.5	0.295
22.2	0.875	35.0	1.378	7.5	0.295
24.0	0.945	37.0	1.457	7.5	0.295
25.0	0.984	38.0	1.496	7.5	0.295
25.4	1.000	38.0	1.496	7.5	0.295
28.0	1.102	41.0	1.614	7.5	0.295
28.6	1.125	41.0	1.614	7.5	0.295
30.0	1.181	43.0	1.693	7.5	0.295
31.7	1.250	45.0	1.772	7.5	0.295
32.0	1.260	45.0	1.772	10.0	0.394
33.0	1.299	46.0	1.811	10.0	0.394
35.0	1.375	48.0	1.890	10.0	0.394
38.0	1.500	53.0	2.087	10.0	0.394
40.0	1.575	55.0	2.165	10.0	0.394
41.2	1.625	55.0	2.165	10.0	0.394
43.0	1.693	58.0	2.283	10.0	0.394
44.4	1.750	60.0	2.362	10.0	0.394
45.0	1.772	60.0	2.362	10.0	0.394
47.6	1.875	63.0	2.480	10.0	0.394
48.0	1.890	63.0	2.480	10.0	0.394
50.0	1.969	65.0	2.559	10.0	0.394
50.8	2.000	65.0	2.559	10.0	0.394
53.0	2.087	68.0	2.677	10.0	0.394
53.9	2.125	68.0	2.677	10.0	0.394
55.0	2.165	70.0	2.756	10.0	0.394
57.1	2.250	70.0	2.756	10.0	0.394
60.0	2.362	79.0	3.110	10.0	0.394
60.3	2.375	79.0	3.110	10.0	0.394
63.5	2.500	82.0	3.228	10.0	0.394
65.0	2.559	84.0	3.307	12.0	0.472
66.6	2.625	84.0	3.307	12.0	0.472
69.8	2.750	89.0	3.504	12.0	0.472
70.0	2.756	89.0	3.504	12.0	0.472
73.0	2.875	95.0	3.740	12.0	0.472
75.0	2.953	98.0	3.858	12.0	0.472
76.2	3.000	98.0	3.858	12.0	0.472

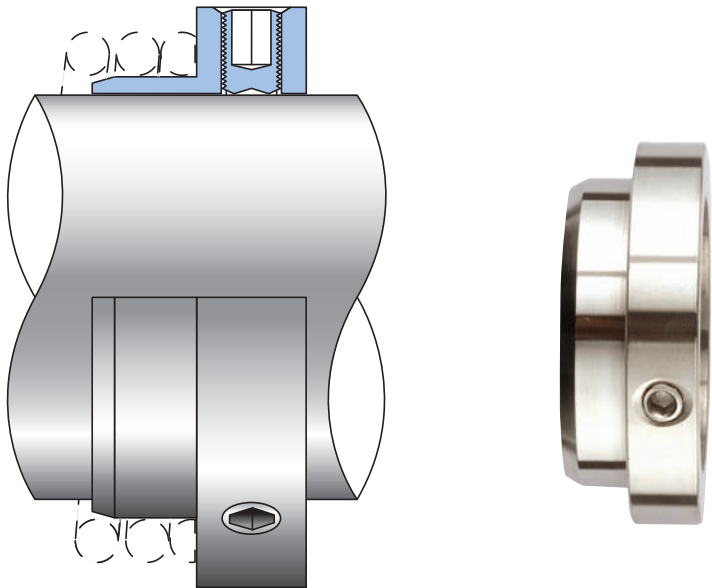
Split ring and washer for use with 213

CLAMP2



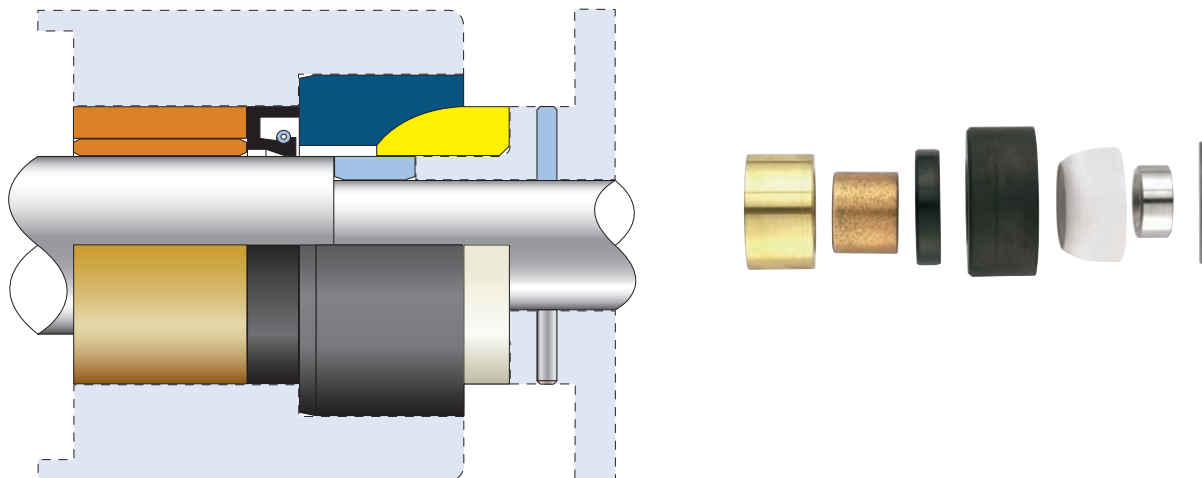
L section clamp ring for use with 213

CLAMP3



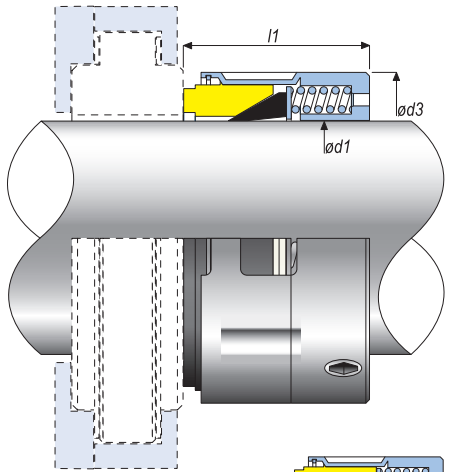
Seal to suit Hayward Tyler Side Entry Mixers
(Formerly APV Osbourne Craig Side Entry Mixers)

2HT



290/290S

290

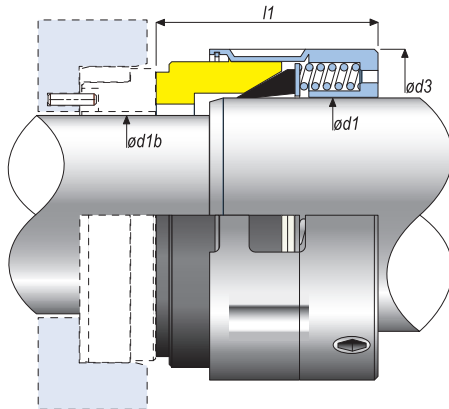


290S



290B/290BS

290B



290BS

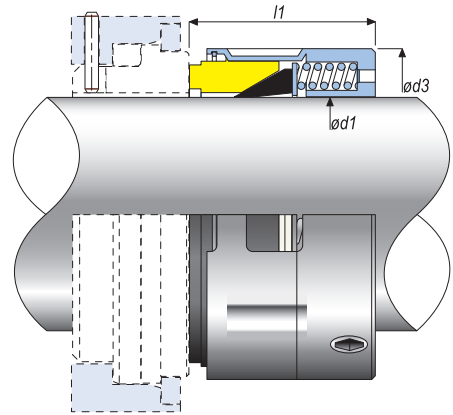


d1		d3		l1	
Metric	Inches	Metric	Inches	Metric	Inches
19.1	0.750	34.7	1.366	22.2	0.875
20.0	0.787	35.7	1.405	24.0	0.945
22.0	0.866	37.0	1.457	24.0	0.945
22.2	0.875	38.0	1.496	23.8	0.937
24.0	0.945	39.7	1.563	25.0	0.984
25.0	0.984	40.8	1.606	25.0	0.984
25.4	1.000	41.0	1.614	25.4	1.000
28.0	1.102	44.5	1.752	27.0	1.063
28.6	1.125	44.0	1.732	27.0	1.063
30.0	1.181	47.5	1.870	27.0	1.063
31.7	1.250	49.0	1.929	27.0	1.063
32.0	1.260	50.7	1.996	29.0	1.142
34.9	1.375	52.0	2.047	28.6	1.126
35.0	1.378	52.0	2.047	29.0	1.142
38.0	1.496	54.6	2.150	29.0	1.142
38.1	1.500	55.6	2.189	28.6	1.126
40.0	1.575	59.9	2.358	35.0	1.378
41.2	1.625	61.0	2.402	35.0	1.378
44.4	1.750	64.3	2.531	35.0	1.378
45.0	1.772	64.9	2.555	35.0	1.378
47.6	1.875	65.1	2.563	35.0	1.378
48.0	1.890	65.1	2.563	35.0	1.378
50.0	1.969	69.9	2.752	35.0	1.378
50.8	2.000	70.7	2.783	35.0	1.378
53.9	2.125	77.0	3.031	43.0	1.693
55.0	2.165	78.2	3.079	43.0	1.693
57.1	2.250	80.1	3.153	43.0	1.693
60.0	2.362	83.1	3.272	43.0	1.693
60.3	2.375	83.1	3.272	43.0	1.693
63.5	2.500	86.6	3.409	43.0	1.693
65.0	2.559	87.9	3.461	43.0	1.693
66.6	2.625	89.6	3.527	43.0	1.693
69.8	2.750	92.8	3.653	43.0	1.693
70.0	2.756	92.8	3.653	43.0	1.693
73.0	2.875	95.9	3.776	43.0	1.693
75.0	2.953	96.2	3.787	43.0	1.693
76.2	3.000	97.7	3.846	43.0	1.693
79.3	3.125	100.7	3.964	43.0	1.693
80.0	3.150	101.2	3.984	43.0	1.693
82.5	3.250	105.5	4.153	43.0	1.693
85.0	3.346	107.7	4.240	43.0	1.693
85.7	3.375	108.7	4.279	43.0	1.693
88.9	3.500	112.0	4.409	43.0	1.693
90.0	3.543	112.8	4.441	43.0	1.693
92.0	3.625	115.9	4.563	43.0	1.693
95.0	3.740	117.7	4.634	43.0	1.693
95.2	3.750	118.2	4.653	43.0	1.693
98.4	3.875	121.3	4.775	43.0	1.693
100.0	3.937	122.7	4.831	43.0	1.693
101.6	4.000	124.6	4.905	43.0	1.693

d1		d1b		d3		l1	
Metric	Inches	Metric	Inches	Metric	Inches	Metric	Inches
19.1	0.750	15.8	0.625	34.7	1.366	30.0	1.181
22.2	0.875	19.1	0.750	38.0	1.496	32.0	1.260
25.4	1.000	22.2	0.875	41.0	1.614	33.0	1.299
28.6	1.125	25.4	1.000	44.0	1.732	35.0	1.378
31.7	1.250	28.6	1.125	49.0	1.929	35.0	1.378
34.9	1.375	28.6	1.125	52.0	2.047	37.0	1.457
38.1	1.500	31.7	1.250	55.6	2.189	37.0	1.457
41.2	1.625	34.9	1.375	61.0	2.401	45.0	1.772
44.4	1.750	38.1	1.500	64.3	2.531	45.0	1.772
47.6	1.875	41.2	1.625	65.1	2.563	45.0	1.772
50.8	2.000	44.4	1.750	70.7	2.783	45.0	1.772
53.9	2.125	47.6	1.875	77.0	3.031	52.0	2.047
57.1	2.250	50.8	2.000	80.1	3.153	52.0	2.047
60.3	2.375	53.9	2.125	83.1	3.272	52.0	2.047
63.5	2.500	57.1	2.250	86.6	3.409	52.0	2.047
66.6	2.625	60.3	2.375	89.6	3.527	52.0	2.047
69.8	2.750	63.5	2.500	92.8	3.653	52.0	2.047
73.0	2.875	66.6	2.625	95.9	3.776	52.0	2.047
76.2	3.000	69.8	2.750	97.7	3.846	52.0	2.047
79.3	3.125	73.0	2.875	100.7	3.964	52.0	2.047
82.5	3.250	76.2	3.000	105.5	4.153	52.0	2.047
85.7	3.375	79.3	3.125	108.7	4.279	52.0	2.047
88.9	3.500	82.5	3.250	112.0	4.409	52.0	2.047
92.1	3.625	85.7	3.375	115.9	4.563	52.0	2.047
95.2	3.750	88.9	3.500	118.2	4.653	52.0	2.047
98.4	3.875	92.0	3.625	121.3	4.775	52.0	2.047
101.6	4.000	95.2	3.750	124.6	4.905	52.0	2.047

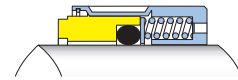
259/259S

d1		d3		l1	
Metric	Inches	Metric	Inches	Metric	Inches
20.0	0.787	34.2	1.346	24.0	0.945
22.0	0.866	36.5	1.437	24.0	0.945
24.0	0.945	37.8	1.488	26.7	1.051
25.0	0.984	39.5	1.555	27.0	1.063
28.0	1.102	42.5	1.673	30.0	1.181
30.0	1.181	44.5	1.752	30.5	1.201
32.0	1.260	46.5	1.831	30.5	1.201
33.0	1.299	47.5	1.870	30.5	1.201
35.0	1.378	49.5	1.949	30.5	1.201
38.0	1.496	55.0	2.165	32.0	1.260
40.0	1.575	57.0	2.244	32.0	1.260
43.0	1.693	60.0	2.362	32.0	1.260
45.0	1.772	62.0	2.441	32.0	1.260
48.0	1.890	65.0	2.559	32.0	1.260
50.0	1.969	66.3	2.610	34.0	1.339
53.0	2.087	68.7	2.705	34.0	1.339
55.0	2.165	70.8	2.787	34.0	1.339
58.0	2.283	78.5	3.091	39.0	1.535
60.0	2.362	79.8	3.142	39.0	1.535
63.0	2.480	82.8	3.260	39.0	1.535
65.0	2.559	85.5	3.366	39.0	1.535
68.0	2.677	87.8	3.457	39.0	1.535
70.0	2.756	90.5	3.563	45.5	1.791
75.0	2.953	95.2	3.748	45.5	1.791
80.0	3.150	103.8	4.087	45.0	1.772
85.0	3.346	109.1	4.295	45.0	1.772
90.0	3.543	113.8	4.480	50.0	1.969
95.0	3.740	118.5	4.665	50.0	1.969
100.0	3.937	123.5	4.862	50.0	1.969



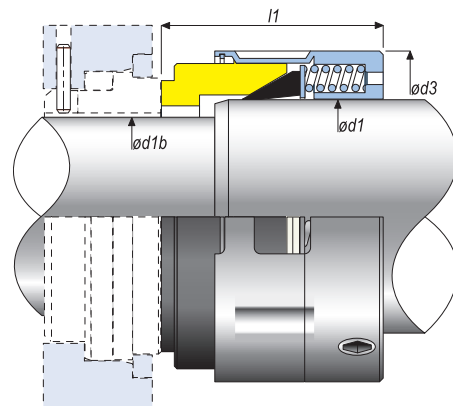
259

259S



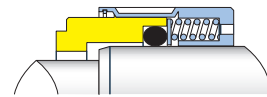
259B/259BS

d1		d1b DIN SEAL SIZE		d3		l1	
Metric	Inches	Metric	Inches	Metric	Inches	Metric	Inches
20.0	0.787	16.0	0.630	34.2	1.346	30.5	1.201
22.0	0.866	18.0	0.709	36.5	1.437	31.5	1.240
24.0	0.945	20.0	0.787	37.8	1.488	31.5	1.240
28.0	1.102	24.0	0.945	42.5	1.673	34.2	1.346
30.0	1.181	25.0	0.984	44.5	1.752	34.2	1.346
33.0	1.299	28.0	1.102	47.5	1.870	37.5	1.476
35.0	1.378	30.0	1.181	49.5	1.949	38.0	1.496
38.0	1.496	33.0	1.299	55.0	2.165	38.0	1.496
40.0	1.575	35.0	1.378	57.0	2.244	38.0	1.496
43.0	1.693	38.0	1.496	60.0	2.362	39.5	1.555
45.0	1.772	40.0	1.575	62.0	2.441	39.5	1.555
48.0	1.890	43.0	1.693	65.0	2.559	39.5	1.555
50.0	1.969	45.0	1.772	66.3	2.610	39.5	1.555
53.0	2.087	48.0	1.890	68.7	2.705	39.5	1.555
55.0	2.165	50.0	1.969	70.8	2.787	44.0	1.732
58.0	2.283	53.0	2.087	78.5	3.091	44.0	1.732
60.0	2.362	55.0	2.165	79.8	3.142	44.0	1.732
63.0	2.480	58.0	2.283	82.8	3.260	49.0	1.929
65.0	2.559	60.0	2.362	85.5	3.366	49.0	1.929
68.0	2.677	63.0	2.480	87.8	3.457	49.0	1.929
70.0	2.756	65.0	2.559	90.5	3.563	49.0	1.929
75.0	2.953	70.0	2.756	95.2	3.748	55.5	2.185
80.0	3.150	75.0	2.953	103.8	4.087	55.5	2.185
85.0	3.346	80.0	3.150	109.1	4.295	55.0	2.165
90.0	3.543	85.0	3.346	113.8	4.480	60.0	2.362
95.0	3.740	90.0	3.543	118.5	4.665	60.0	2.362
100.0	3.937	95.0	3.740	123.5	4.862	60.0	2.362

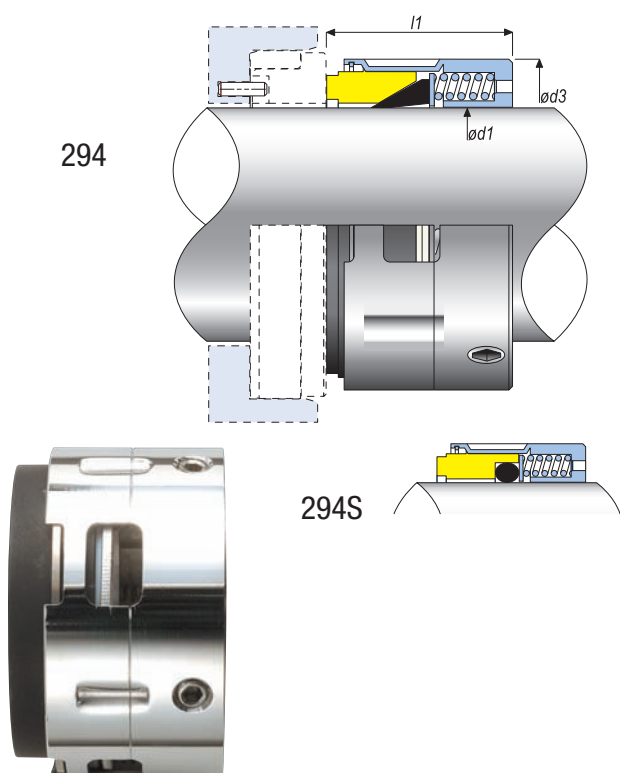


259B

259BS

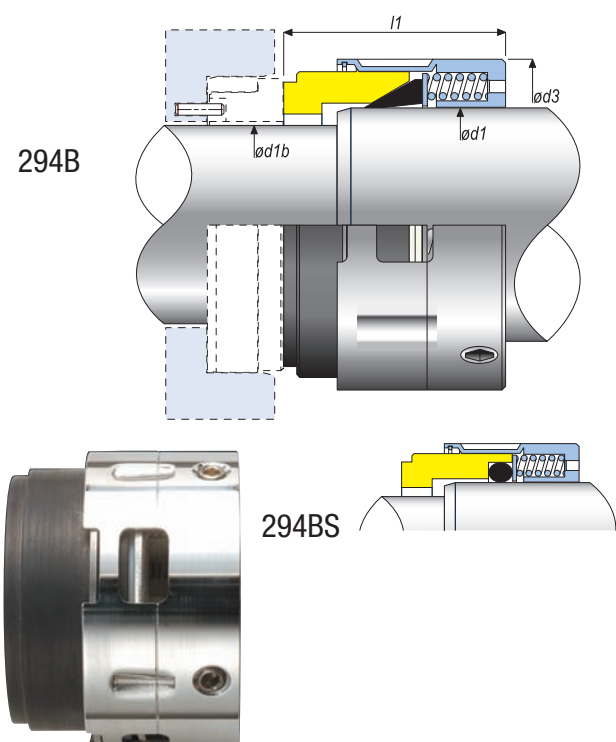


294/294S



d1		d3		l1	
Metric	Inches	Metric	Inches	Metric	Inches
19.1	0.750	30.2	1.190	23.8	0.937
22.2	0.875	33.4	1.315	23.8	0.937
25.4	1.000	36.6	1.440	25.4	1.000
28.6	1.125	39.8	1.565	25.4	1.000
31.7	1.250	42.9	1.690	25.4	1.000
34.9	1.375	49.3	1.940	34.9	1.375
38.1	1.500	49.3	1.940	28.6	1.125
41.2	1.625	57.2	2.250	29.4	1.156
44.4	1.750	58.8	2.315	34.9	1.375
47.6	1.875	63.5	2.500	34.9	1.375
50.8	2.000	66.7	2.625	34.9	1.375
53.9	2.125	71.5	2.815	42.8	1.687
57.1	2.250	72.3	2.845	34.9	1.375
60.3	2.375	76.2	3.000	42.8	1.687
63.5	2.500	79.4	3.125	34.9	1.375
66.6	2.625	82.6	3.250	42.8	1.687
69.8	2.750	85.7	3.375	42.8	1.687
73.0	2.875	88.9	3.500	42.8	1.687
76.2	3.000	92.1	3.625	42.8	1.687
79.3	3.125	95.3	3.750	42.8	1.687
82.5	3.250	98.4	3.875	42.8	1.687
85.7	3.375	101.6	4.000	42.8	1.687
88.9	3.500	104.8	4.125	42.8	1.687
92.0	3.625	108.0	4.250	42.8	1.687
95.2	3.750	111.1	4.375	42.8	1.687
98.4	3.875	114.3	4.500	42.8	1.687
101.6	4.000	117.5	4.625	42.8	1.687

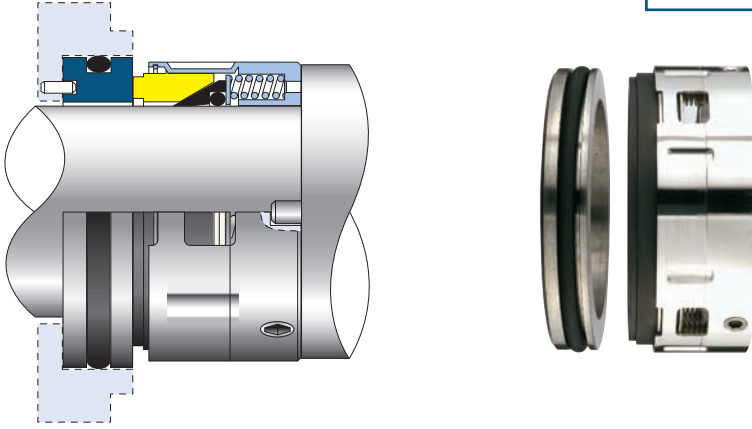
294B/294BS



d1		d1b		d3		l1	
Metric	Inches	Metric	Inches	Metric	Inches	Metric	Inches
19.1	0.750	15.8	0.625	30.2	1.190	31.7	1.250
22.2	0.875	19.1	0.750	33.4	1.315	31.7	1.250
25.4	1.000	22.2	0.875	36.6	1.440	33.3	1.312
28.6	1.125	25.4	1.000	39.8	1.565	34.9	1.375
31.7	1.250	28.5	1.125	42.9	1.690	34.9	1.375
34.9	1.375	28.6	1.125	49.3	1.940	42.8	1.687
38.1	1.500	31.7	1.250	49.3	1.940	36.4	1.437
41.2	1.625	34.9	1.375	57.2	2.250	40.4	1.593
44.4	1.750	38.1	1.500	58.8	2.315	44.4	1.750
47.6	1.875	41.2	1.625	63.5	2.500	44.4	1.750
50.8	2.000	44.4	1.750	66.7	2.625	44.4	1.750
53.9	2.125	47.6	1.875	71.5	2.815	52.3	2.062
57.1	2.250	50.8	2.000	72.3	2.845	44.4	1.750
60.3	2.375	53.9	2.125	76.2	3.000	52.3	2.062
63.5	2.500	57.1	2.250	79.4	3.125	44.4	1.750
66.6	2.625	60.3	2.375	82.6	3.250	52.3	2.062
69.8	2.750	63.5	2.500	85.7	3.375	52.3	2.062
73.0	2.875	66.6	2.625	88.9	3.500	52.3	2.062
76.2	3.000	69.8	2.750	92.1	3.625	52.3	2.062
79.3	3.125	73.0	2.875	95.3	3.750	52.3	2.062
82.5	3.250	76.2	3.000	98.4	3.875	52.3	2.062
85.7	3.375	79.3	3.125	101.6	4.000	52.3	2.062
88.9	3.500	82.5	3.250	104.8	4.125	52.3	2.062
92.0	3.625	85.7	3.375	108.0	4.250	52.3	2.062
95.2	3.750	88.9	3.500	111.1	4.375	52.3	2.062
98.4	3.875	92.0	3.625	114.3	4.500	52.3	2.062
101.6	4.000	95.2	3.750	117.5	4.625	52.3	2.062

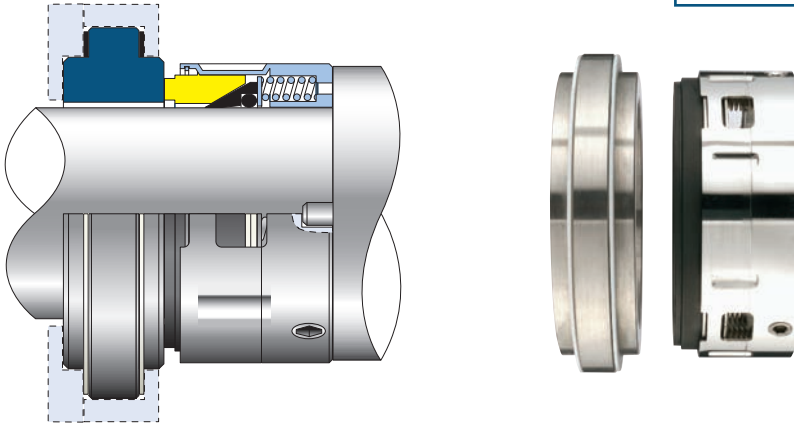
Seal to suit J & E Hall HS92, V92, VF92 and V127 Mk6 Compressors

260S



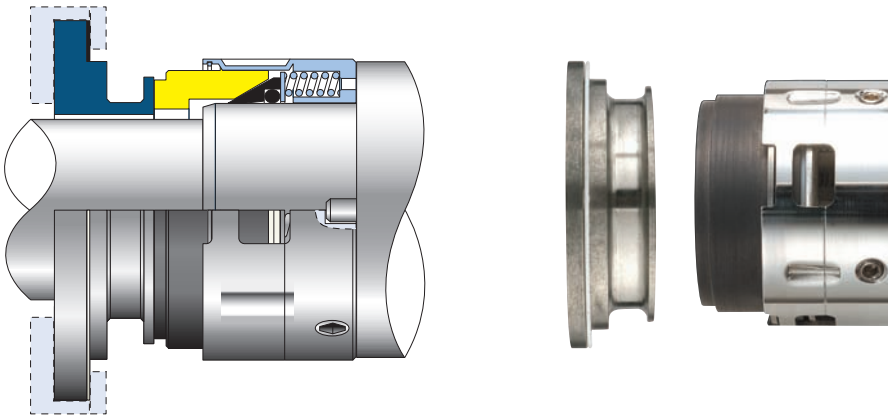
Seal to suit J & E Hall V127 Mk1, 2,3,4 and 5 Compressors

261



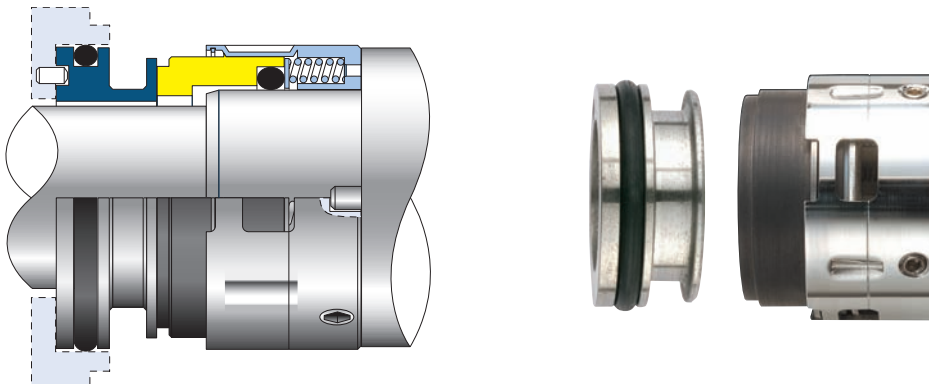
Seals to suit Howden WRV204 Mk1,2,3 and 4 Compressors
WRV255 Mk1,2,3,4 and 5 Compressors

295



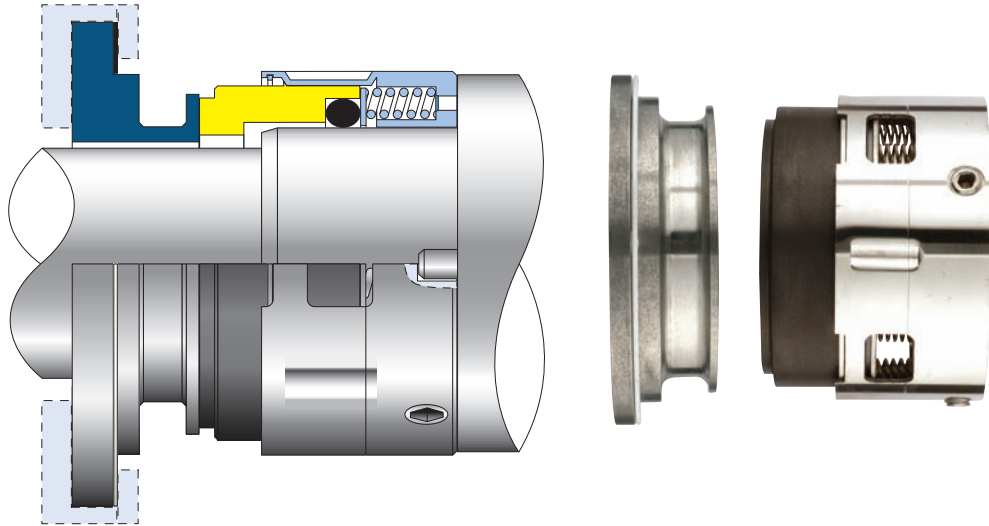
Seals to suit Howden WRV163, 204 Mk6, 205 and 255 Mk6 Compressors
XRV163 and 204 Compressors

295SH



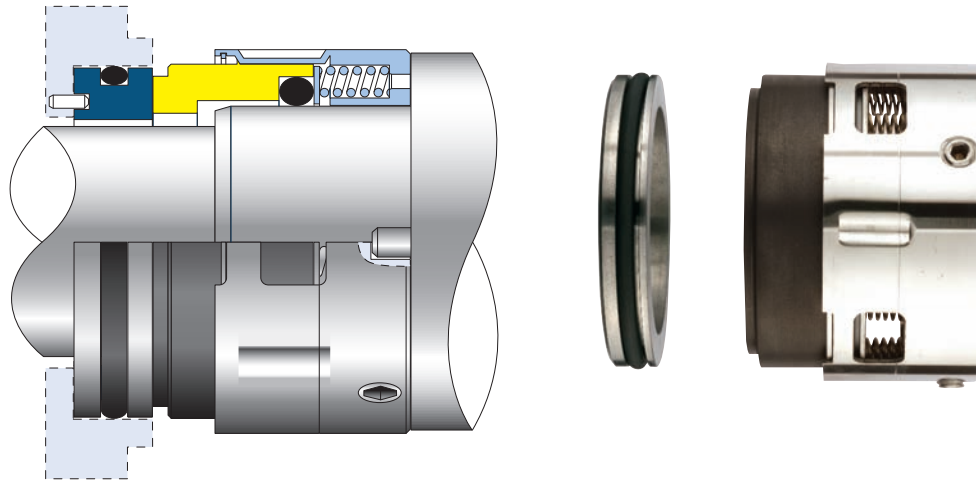
295SJ

Seal to suit Howden WRV321 Compressors



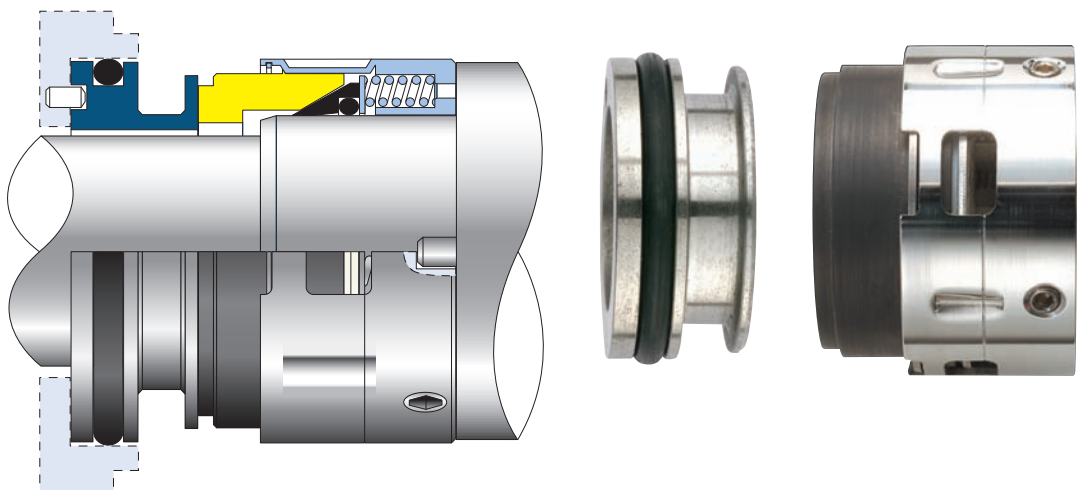
295S7

Seal to suit Howden WRV204 Mk5 Compressors



259H

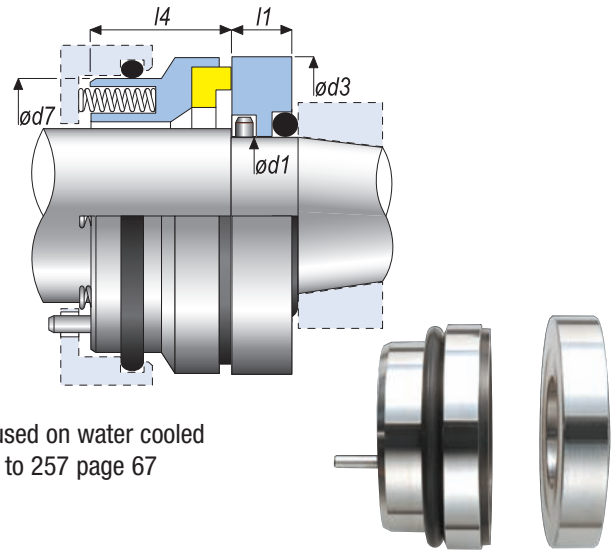
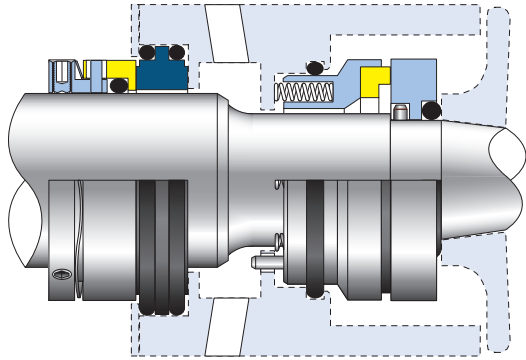
Seal to suit Sabroe SAB128 Mk1,2,3 and 4 Compressors



Seals to suit Inoxpa Prolac Pumps

294C

d1		d3		d7		l1		l4	
Metric	Inches	Metric	Inches	Metric	Inches	Metric	Inches	Metric	Inches
15.8	0.625	44.5	1.752	36.1	1.421	10.5	0.413	24.0	0.945
25.4	1.000	53.5	2.106	44.0	1.732	10.0	0.394	24.0	0.945
38.1	1.500	74.0	2.913	64.0	2.520	15.5	0.610	28.0	1.102

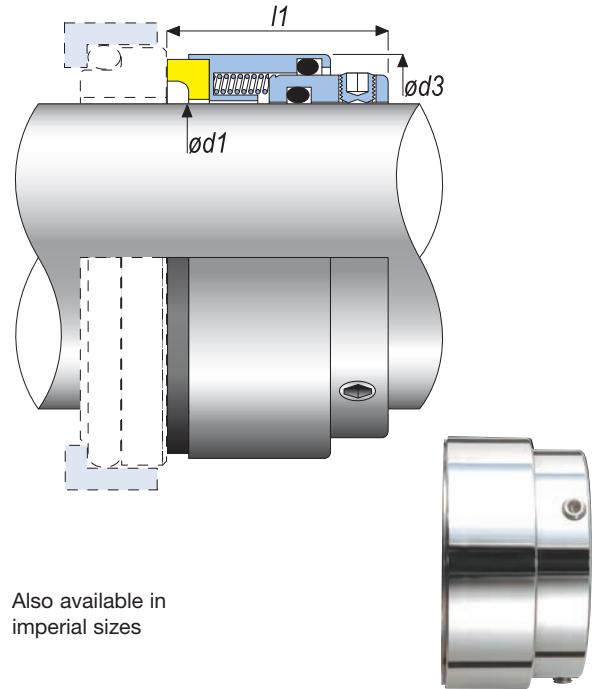


For external seal used on water cooled applications, refer to 257 page 67

Seal to suit general applications

299

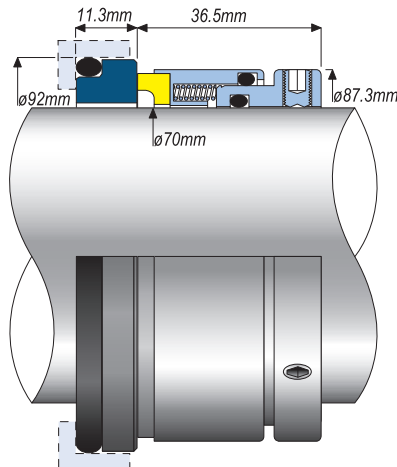
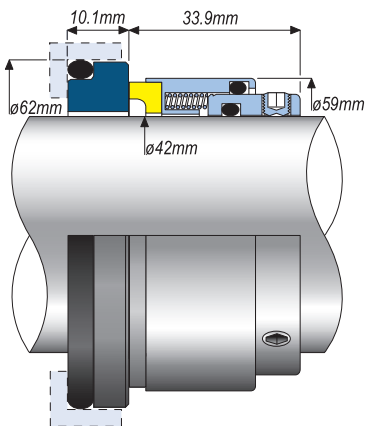
d1		d3		l1	
Metric	Inches	Metric	Inches	Metric	Inches
18.0	0.708	32.0	1.260	27.9	1.098
20.0	0.787	34.0	1.338	27.9	1.098
22.0	0.866	36.0	1.417	27.9	1.098
24.0	0.944	38.0	1.496	29.9	1.177
25.0	0.984	39.0	1.535	29.9	1.177
28.0	1.102	42.0	1.653	32.4	1.276
30.0	1.181	44.0	1.732	32.4	1.276
32.0	1.260	46.0	1.811	32.4	1.276
33.0	1.299	47.0	1.850	32.4	1.276
35.0	1.377	49.0	1.929	32.4	1.276
38.0	1.496	52.7	2.075	33.9	1.335
40.0	1.575	55.9	2.200	33.9	1.335
43.0	1.692	59.1	2.325	33.9	1.335
45.0	1.772	59.6	2.347	33.9	1.335
48.0	1.889	62.2	2.450	33.9	1.335
50.0	1.968	65.4	2.575	34.4	1.354
53.0	2.087	68.6	2.700	34.4	1.354
55.0	2.165	70.1	2.760	34.4	1.354
58.0	2.283	74.9	2.950	38.9	1.531
60.0	2.362	74.9	2.950	38.9	1.531
63.0	2.480	78.1	3.075	38.9	1.531
65.0	2.559	84.2	3.314	38.9	1.531
68.0	2.677	87.4	3.439	37.4	1.472
70.0	2.756	87.4	3.439	37.4	1.472
75.0	2.952	93.7	3.689	44.9	1.768
80.0	3.149	100.1	3.939	44.2	1.740
85.0	3.346	103.2	4.064	44.2	1.740
90.0	3.543	109.6	4.314	49.2	1.937
95.0	3.740	112.8	4.439	49.2	1.937
100.0	3.937	119.1	4.689	49.2	1.937



Also available in imperial sizes

Seals to suit Haigh Macipump

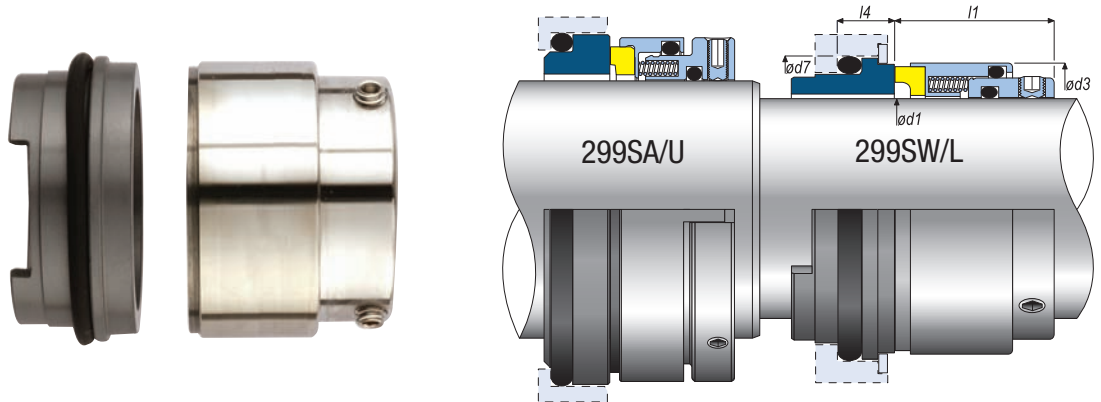
299X



299SW/L

Lower Seals to suit Sarlin Pumps

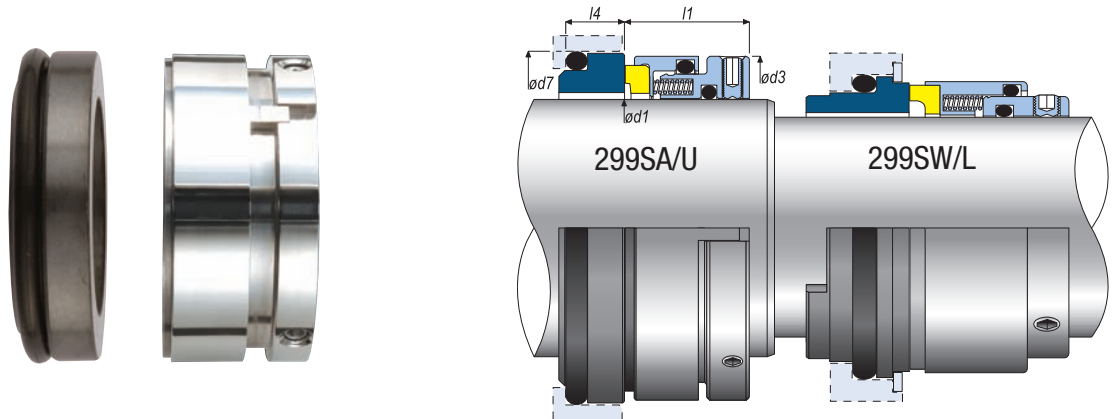
d1		d3		d7		l1		l4	
Metric	Inches	Metric	Inches	Metric	Inches	Metric	Inches	Metric	Inches
25.0	0.984	39.0	1.535	38.0	1.496	29.9	1.177	9.6	0.378
32.0	1.260	46.0	1.811	48.0	1.890	32.4	1.276	11.0	0.433
38.0	1.496	54.0	2.126	55.0	2.165	33.9	1.335	11.2	0.441
50.0	1.969	66.0	2.598	69.3	2.728	34.4	1.354	14.0	0.551
65.0	2.559	85.0	3.346	85.4	3.362	38.9	1.531	15.3	0.602



299SA/U

Upper Seals to suit Sarlin Pumps

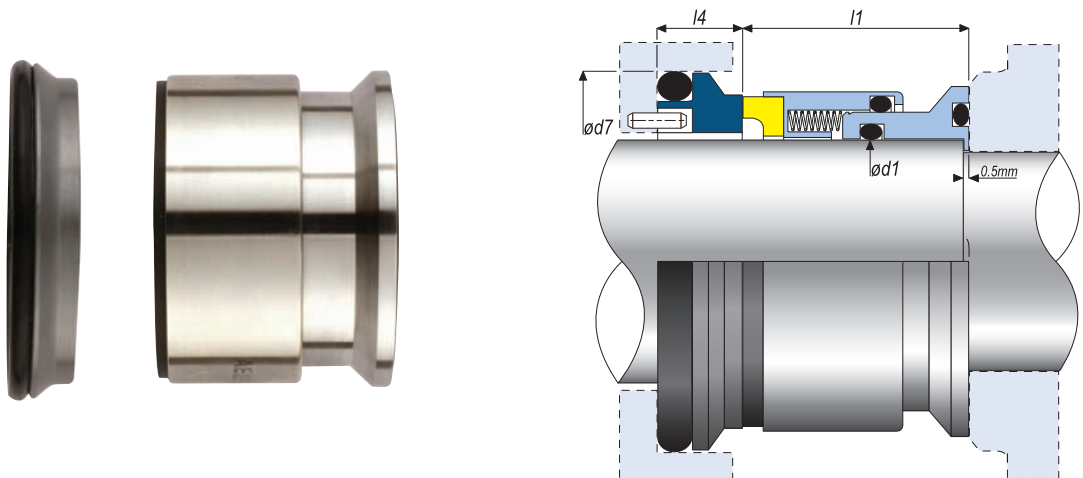
d1		d3		d7		l1		l4	
Metric	Inches	Metric	Inches	Metric	Inches	Metric	Inches	Metric	Inches
30.0	1.181	46.0	1.811	45.0	1.772	24.0	0.945	10.0	0.394
38.0	1.496	58.0	2.283	56.0	2.205	27.0	1.063	11.0	0.433
50.0	1.969	70.0	2.756	70.0	2.756	27.0	1.063	13.0	0.512
65.0	2.559	90.0	3.543	85.0	3.346	32.0	1.260	13.0	0.512



299S1

Seals to suit Hilge Pumps

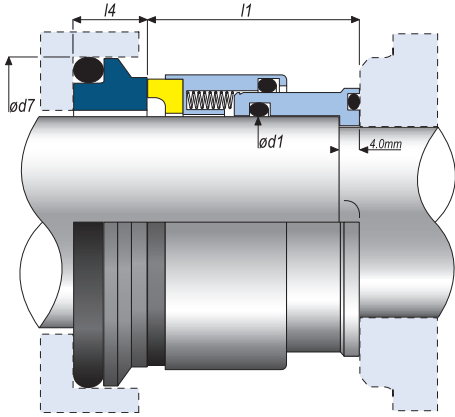
d1		d7		l1		l4	
Metric	Inches	Metric	Inches	Metric	Inches	Metric	Inches
28.0	1.102	48.0	1.890	34.5	1.358	10.6	0.417
38.0	1.496	57.1	2.250	35.0	1.375	10.6	0.417



Seal to suit Hilge Pumps

299S2

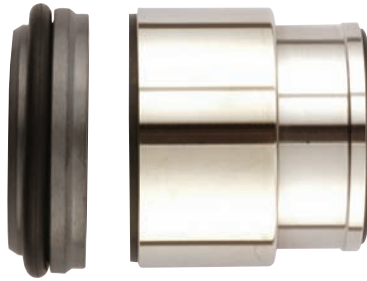
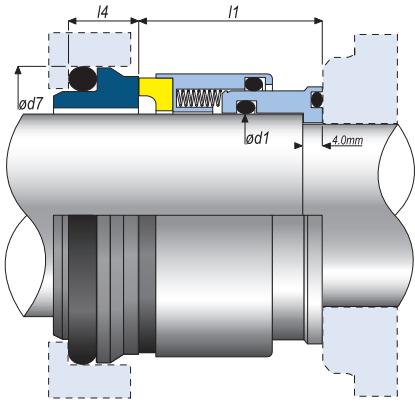
d1		d7		l1		l4	
Metric	Inches	Metric	Inches	Metric	Inches	Metric	Inches
28.0	1.102	48.0	1.890	38.0	1.500	10.6	0.417



Seal to suit Hilge Pumps

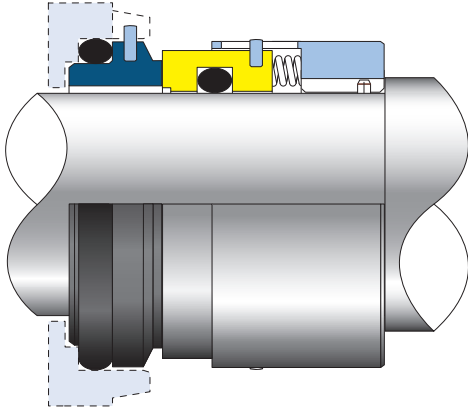
299S3

d1		d7		l1		l4	
Metric	Inches	Metric	Inches	Metric	Inches	Metric	Inches
28.0	1.102	43.0	1.693	33.5	1.299	9.0	0.354



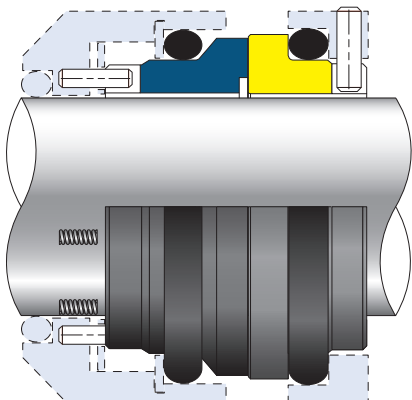
Seal to suit Grasso RC11 Compressors
(Serial number below 90111950)

GRASSO

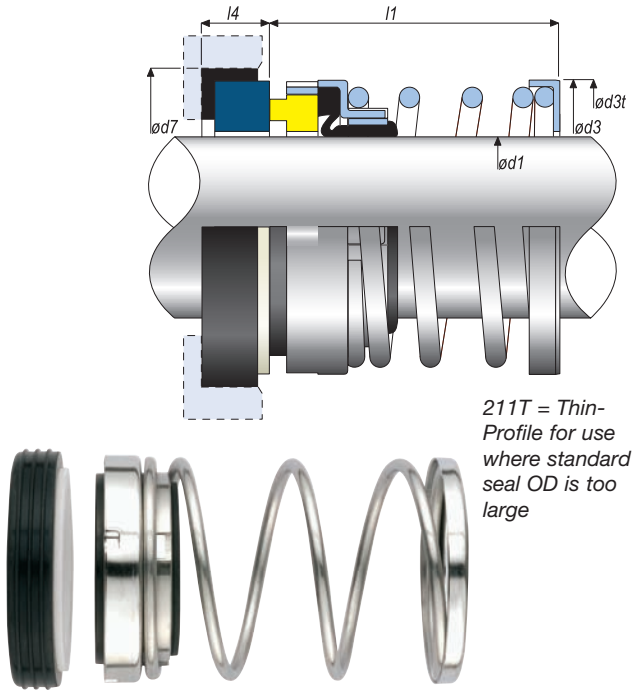


32mm seal to suit Alfa Laval LKH110, LKH112, LKH113 and LKH114

2ALS

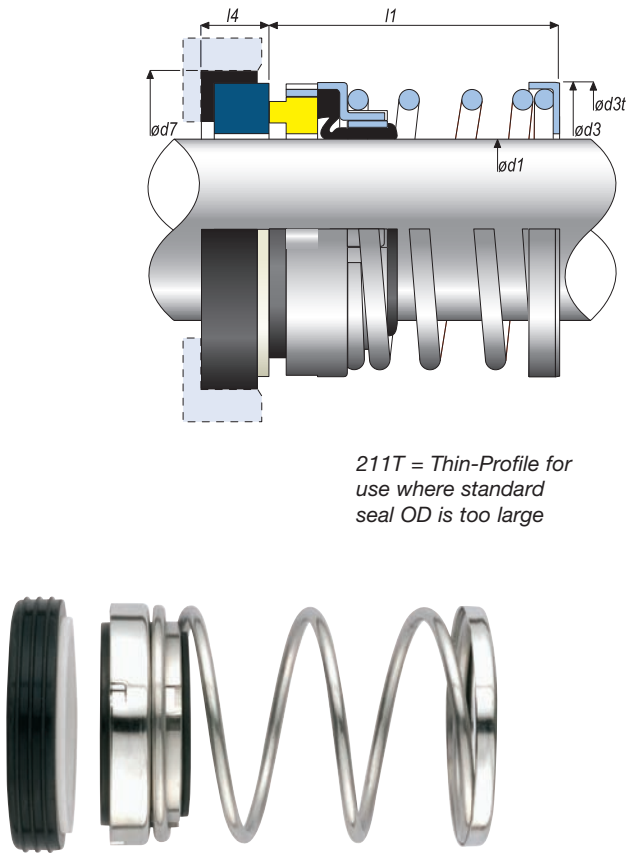


211 (imp.)



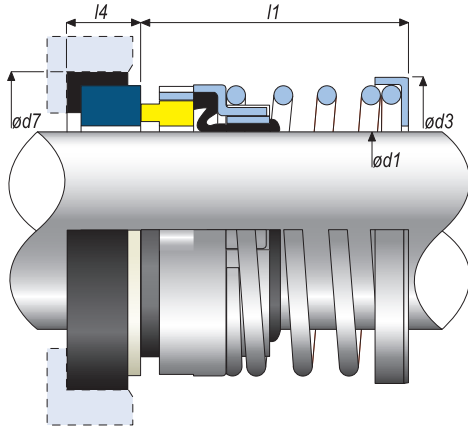
d1		d3		d3t (211T)		d7		l1		l4	
Metric	Inches	Metric	Inches	Metric	Inches	Metric	Inches	Metric	Inches	Metric	Inches
9.5	0.375	23.0	0.906	20.0	0.787	24.6	0.969	43.6	1.719	8.7	0.344
12.7	0.500	24.0	0.945	22.8	0.897	27.7	1.094	43.6	1.719	8.7	0.344
15.8	0.625	26.7	1.053	26.7	1.053	30.9	1.219	43.6	1.719	10.3	0.406
19.1	0.750	31.2	1.230	30.4	1.201	34.1	1.344	43.6	1.719	10.3	0.406
22.2	0.875	33.5	1.319	33.4	1.319	37.3	1.469	43.6	1.719	10.3	0.406
25.4	1.000	43.2	1.703	39.3	1.547	40.5	1.594	43.6	1.719	10.3	0.406
28.6	1.125	46.5	1.831	42.0	1.654	47.6	1.875	60.3	2.375	11.9	0.472
31.7	1.250	49.5	1.949	45.8	1.803	50.8	2.000	60.3	2.375	11.9	0.472
34.9	1.375	52.7	2.077	49.3	1.941	53.9	2.125	60.3	2.375	11.9	0.472
38.1	1.500	56.0	2.205	52.8	2.078	57.1	2.250	60.3	2.375	11.9	0.472
41.2	1.625	62.2	2.451	55.5	2.185	60.3	2.376	60.3	2.375	11.9	0.472
44.4	1.750	66.0	2.598	61.0	2.402	63.5	2.500	70.6	2.781	11.9	0.472
47.6	1.875	66.0	2.598	64.0	2.520	66.7	2.625	70.6	2.781	11.9	0.472
50.8	2.000	73.0	2.874	66.0	2.598	69.8	2.750	70.6	2.781	13.5	0.531
53.9	2.125	73.5	2.894	71.5	2.814	73.0	2.875	71.0	2.795	13.5	0.531
57.1	2.250	78.5	3.091	79.6	3.133	76.2	3.000	71.0	2.795	13.5	0.531
60.3	2.375	82.0	3.228	79.6	3.133	79.4	3.125	71.0	2.795	13.5	0.531
63.5	2.500	85.0	3.346	81.5	3.209	82.5	3.250	71.0	2.795	13.5	0.531
66.6	2.625	88.5	3.484	84.6	3.331	92.1	3.625	70.0	2.756	15.9	0.626
69.8	2.750	92.7	3.652	90.0	3.543	95.2	3.750	70.0	2.756	15.9	0.626
73.0	2.875	95.0	3.740	92.0	3.622	98.4	3.875	73.0	2.874	15.9	0.626
76.2	3.000	102.0	4.016	96.8	3.811	101.6	4.000	73.0	2.874	15.9	0.626

211 (mm)



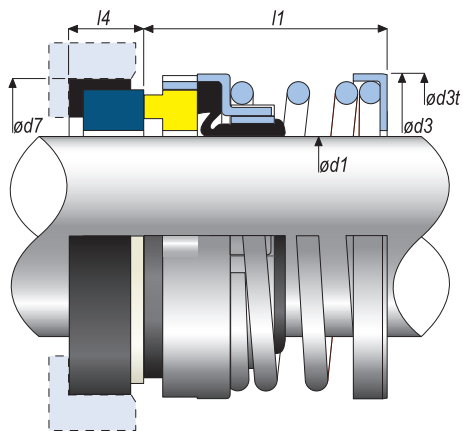
d1		d3		d3t (211T)		d7		l1		l4	
Metric	Inches	Metric	Inches	Metric	Inches	Metric	Inches	Metric	Inches	Metric	Inches
10.0	0.394	23.0	0.906	20.5	0.807	24.6	0.969	43.6	1.719	8.7	0.344
12.0	0.473	24.0	0.945	22.8	0.897	27.7	1.094	43.6	1.719	8.7	0.344
13.0	0.512	24.0	0.945	24.0	0.945	27.7	1.094	43.6	1.719	8.7	0.344
14.0	0.551	26.7	1.053	24.2	0.952	30.9	1.219	43.6	1.719	10.3	0.406
15.0	0.591	26.7	1.053	26.7	1.053	30.9	1.219	43.6	1.719	10.3	0.406
16.0	0.630	26.7	1.053	26.7	1.053	30.9	1.219	43.6	1.719	10.3	0.406
18.0	0.709	31.2	1.230	30.4	1.201	34.1	1.344	43.6	1.719	10.3	0.406
19.0	0.748	31.2	1.230	30.4	1.201	34.1	1.344	43.6	1.719	10.3	0.406
20.0	0.787	33.5	1.319	33.4	1.319	35.7	1.406	43.6	1.719	10.3	0.406
22.0	0.866	33.5	1.319	33.4	1.319	37.3	1.469	43.6	1.719	10.3	0.406
24.0	0.945	39.2	1.545	37.7	1.485	40.5	1.594	43.6	1.719	10.3	0.406
25.0	0.984	39.3	1.547	39.3	1.547	40.5	1.594	43.6	1.719	10.3	0.406
28.0	1.102	46.5	1.831	41.9	1.649	47.6	1.875	60.3	2.375	11.9	0.472
30.0	1.181	49.5	1.949	43.8	1.724	50.8	2.000	60.3	2.375	11.9	0.472
32.0	1.260	49.5	1.949	45.8	1.803	50.8	2.000	60.3	2.375	11.9	0.472
33.0	1.299	52.7	2.077	45.8	1.803	53.9	2.125	60.3	2.375	11.9	0.472
35.0	1.378	52.7	2.077	49.3	1.941	53.9	2.125	60.3	2.375	11.9	0.472
38.0	1.496	56.0	2.205	52.8	2.087	57.1	2.250	60.3	2.375	11.9	0.472
40.0	1.575	62.2	2.451	55.8	2.196	60.3	2.375	60.3	2.375	11.9	0.472
42.0	1.654	66.0	2.598	58.8	2.314	63.5	2.500	70.6	2.781	11.9	0.472
43.0	1.693	66.0	2.598	58.8	2.314	63.5	2.500	70.6	2.781	11.9	0.472
44.0	1.732	66.0	2.598	58.8	2.314	63.5	2.500	70.6	2.781	11.9	0.472
45.0	1.772	66.0	2.598	61.0	2.402	63.5	2.500	70.6	2.781	11.9	0.472
48.0	1.890	66.7	2.628	64.0	2.520	66.7	2.625	70.6	2.781	11.9	0.472
50.0	1.969	71.7	2.825	66.0	2.598	69.8	2.750	70.6	2.781	13.5	0.531
53.0	2.087	73.5	2.894	71.5	2.815	73.0	2.875	71.0	2.795	13.5	0.531
55.0	2.165	78.5	3.091	71.5	2.815	76.2	3.000	71.0	2.795	13.5	0.531
58.0	2.283	82.0	3.228	79.6	3.134	79.4	3.125	71.0	2.795	13.5	0.531
60.0	2.362	82.0	3.228	79.6	3.134	79.4	3.125	71.0	2.795	13.5	0.531
63.0	2.480	85.0	3.346	81.5	3.209	82.5	3.250	71.0	2.795	13.5	0.531
65.0	2.559	88.5	3.484	84.6	3.331	92.1	3.625	70.0	2.756	15.9	0.626
70.0	2.756	92.7	3.652	90.0	3.543	95.2	3.750	70.0	2.756	15.9	0.626
73.0	2.874	95.0	3.740	92.0	3.622	98.4	3.875	73.0	2.874	15.9	0.626
75.0	2.953	102.0	4.016	96.8	3.811	101.6	4.000	73.0	2.874	15.9	0.626

522



d1		d3		d7		l1		l4	
Metric	Inches	Metric	Inches	Metric	Inches	Metric	Inches	Metric	Inches
12.0	0.472	21.7	0.856	23.0	0.906	23.9	0.941	8.60	0.339
14.0	0.551	24.0	0.945	25.0	0.984	26.4	1.039	8.60	0.339
16.0	0.630	26.7	1.053	27.0	1.063	26.4	1.039	8.60	0.339
18.0	0.709	30.5	1.201	33.0	1.299	27.5	1.083	10.0	0.399
20.0	0.787	33.5	1.319	35.0	1.378	27.5	1.083	10.0	0.394
22.0	0.866	33.5	1.319	37.0	1.457	27.5	1.083	10.0	0.394
24.0	0.945	38.0	1.496	39.0	1.535	30.0	1.181	10.0	0.394
25.0	0.984	39.5	1.555	40.0	1.575	30.0	1.181	10.0	0.394
28.0	1.102	42.0	1.654	43.0	1.693	32.5	1.280	10.0	0.394
30.0	1.181	44.0	1.732	45.0	1.772	32.5	1.280	10.0	0.394
32.0	1.260	46.0	1.811	48.0	1.890	32.5	1.280	10.0	0.394
33.0	1.299	46.0	1.811	48.0	1.890	32.5	1.280	10.0	0.394
35.0	1.378	49.0	1.929	50.0	1.969	32.5	1.280	10.0	0.394
38.0	1.496	53.0	2.087	56.0	2.205	34.0	1.339	11.0	0.433
40.0	1.575	56.0	2.205	58.0	2.283	34.0	1.339	11.0	0.433
43.0	1.693	58.8	2.314	61.0	2.402	34.0	1.339	11.0	0.433
45.0	1.772	61.0	2.402	63.0	2.480	34.0	1.339	11.0	0.433
48.0	1.890	64.0	2.520	66.0	2.598	34.0	1.339	11.0	0.433
50.0	1.969	66.0	2.598	70.0	2.756	34.5	1.358	13.0	0.512
53.0	2.090	70.7	2.780	73.0	2.870	34.5	1.358	13.0	0.512
55.0	2.165	71.7	2.825	75.0	2.953	34.5	1.358	13.0	0.512
58.0	2.283	79.6	3.134	78.0	3.071	39.5	1.555	13.0	0.512
60.0	2.362	78.5	3.091	80.0	3.150	39.5	1.555	13.0	0.512
63.0	2.480	81.5	3.209	83.0	3.268	39.5	1.555	13.0	0.512
65.0	2.559	84.5	3.327	85.0	3.346	39.5	1.555	13.0	0.512
68.0	2.677	89.7	3.533	90.0	3.543	37.2	1.465	15.3	0.602
70.0	2.756	89.7	3.533	92.0	3.622	44.7	1.760	15.3	0.602
75.0	2.953	97.0	3.819	97.0	3.819	44.7	1.760	15.3	0.602

212A

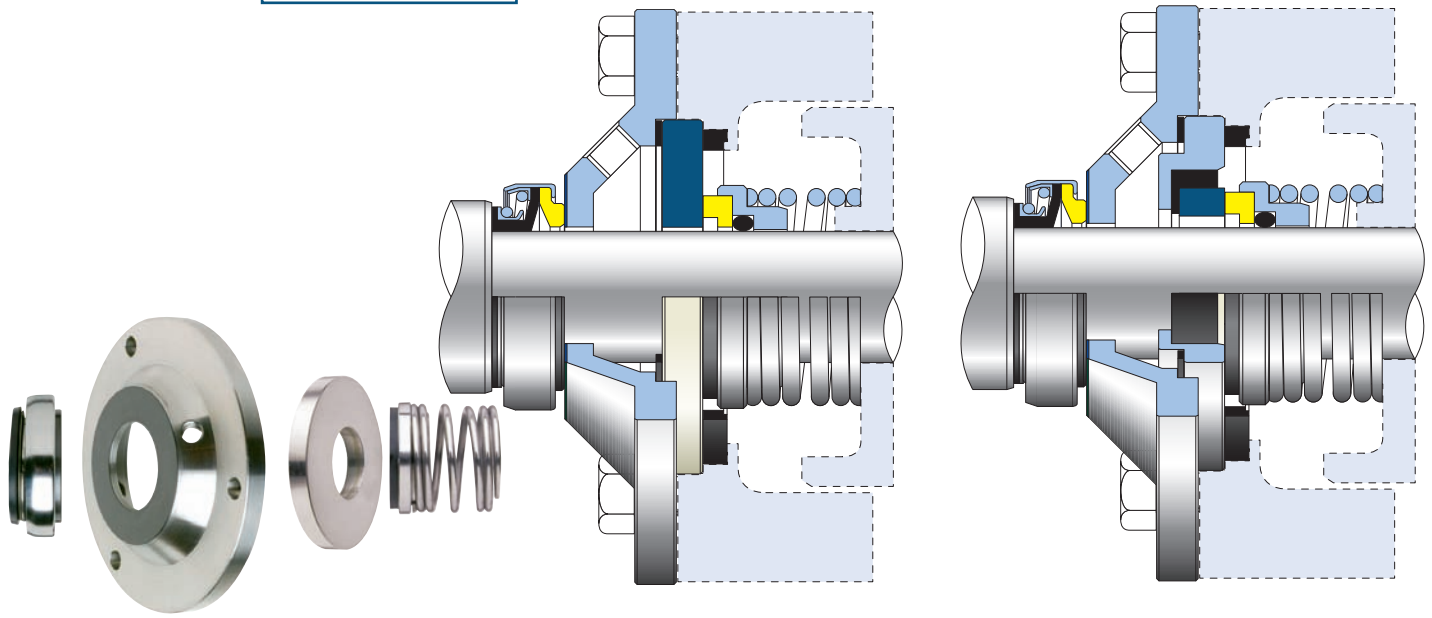


212AT = Thin-Profile
for use where
standard seal OD is
too large

d1		d3		d3t (212AT)	d7		l1		l4		
Metric	Inches	Metric	Inches	Metric	Metric	Inches	Metric	Inches	Metric	Inches	
12.7	0.500	24.0	0.945	22.8	0.897	25.4	1.000	20.6	0.812	7.9	0.312
15.8	0.625	26.7	1.053	26.7	1.053	31.7	1.250	22.2	0.875	10.3	0.405
19.1	0.750	31.2	1.230	30.4	1.201	34.9	1.375	22.2	0.875	10.3	0.405
22.2	0.875	33.5	1.319	33.4	1.319	38.1	1.500	23.8	0.937	10.3	0.405
25.4	1.000	43.2	1.703	39.3	1.547	41.2	1.625	25.4	1.000	11.1	0.437
28.6	1.125	46.5	1.831	42.0	1.654	44.4	1.750	26.9	1.062	11.1	0.437
31.7	1.250	49.5	1.949	45.8	1.803	47.6	1.875	26.9	1.062	11.1	0.437
34.9	1.375	52.7	2.077	49.3	1.941	50.8	2.000	28.5	1.125	11.1	0.437
38.1	1.500	56.0	2.205	52.8	2.078	53.9	2.125	28.5	1.125	11.1	0.437
41.2	1.625	62.2	2.451	55.5	2.185	60.3	2.375	34.9	1.375	12.7	0.500
44.4	1.750	66.0	2.598	61.0	2.402	63.5	2.500	34.9	1.375	12.7	0.500
47.6	1.875	66.0	2.598	64.0	2.520	66.6	2.625	38.1	1.500	12.7	0.500
50.8	2.000	73.0	2.874	66.0	2.598	69.8	2.750	38.1	1.500	12.7	0.500
53.9	2.125	73.5	2.894	71.5	2.814	76.2	3.000	42.8	1.688	14.2	0.562
57.1	2.250	79.6	3.133	79.6	3.133	79.3	3.125	42.8	1.688	14.2	0.562
60.3	2.375	82.0	3.228	79.6	3.133	82.5	3.250	46.0	1.812	14.2	0.562
63.5	2.500	85.0	3.346	81.5	3.209	85.7	3.375	46.0	1.812	14.2	0.562
66.6	2.625	88.5	3.484	84.6	3.331	85.7	3.375	49.2	1.937	15.9	0.625
69.8	2.750	92.7	3.652	90.0	3.543	88.9	3.500	49.2	1.937	15.9	0.625
73.0	2.875	95.0	3.740	92.0	3.622	95.2	3.750	52.3	2.062	15.9	0.625
76.2	3.000	102.0	4.016	96.8	3.811	98.4	3.875	52.3	2.062	15.9	0.625

225/238

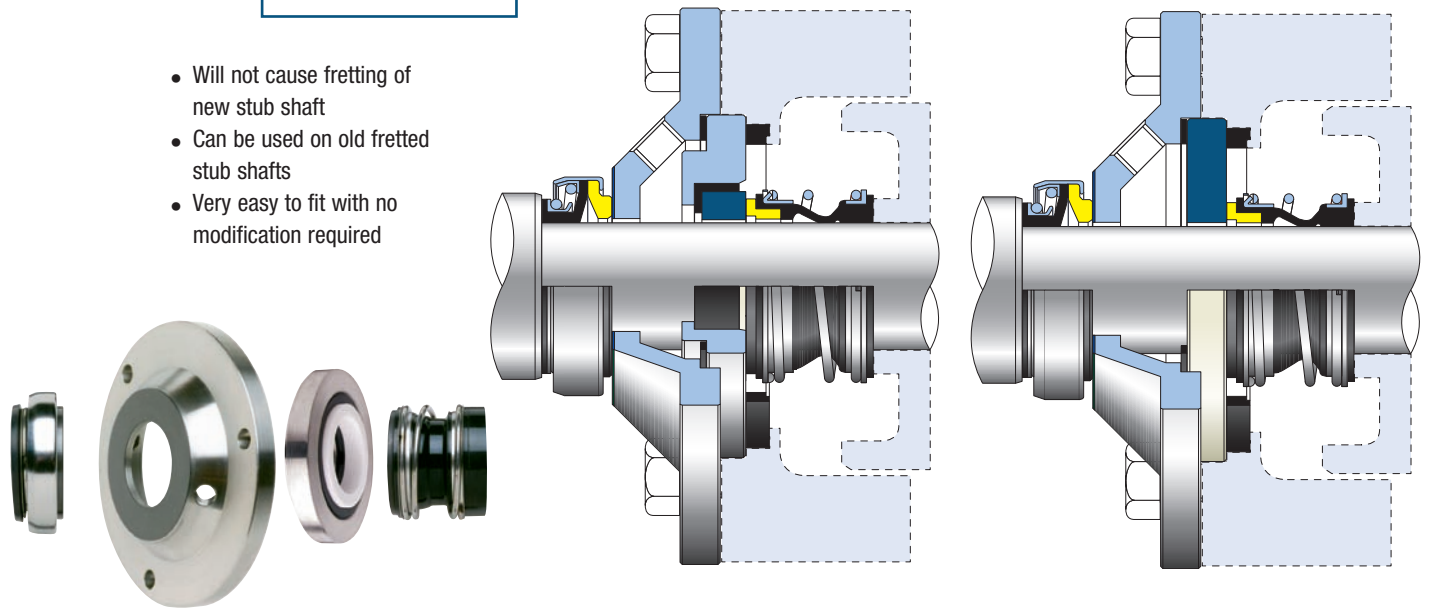
Seals to suit APV PUMA Pumps



152/225

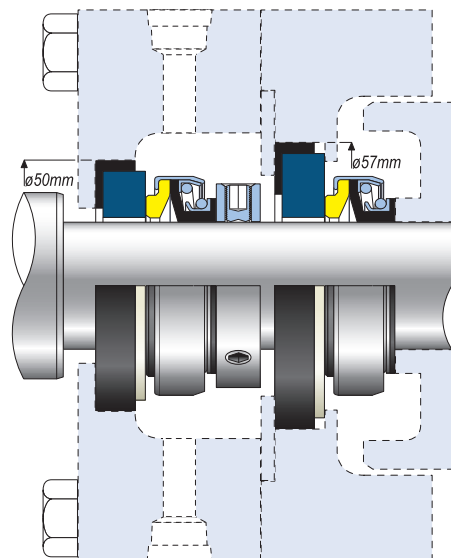
Seals to suit APV PUMA Pumps

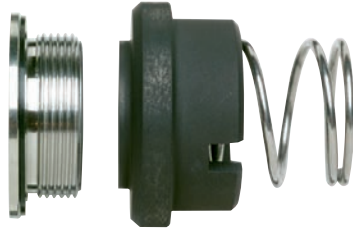
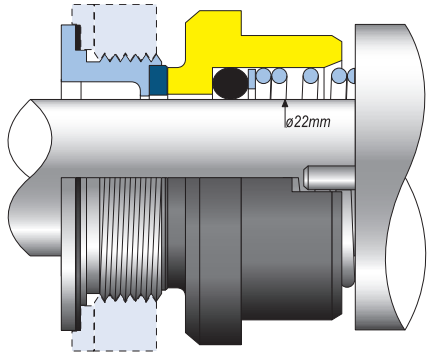
- Will not cause fretting of new stub shaft
- Can be used on old fretted stub shafts
- Very easy to fit with no modification required



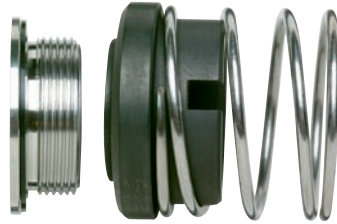
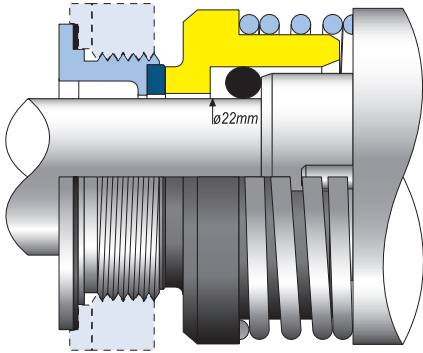
225/BT

Seals to suit APV PUMA Pumps

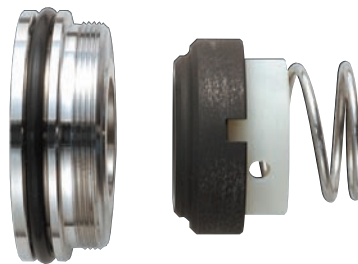
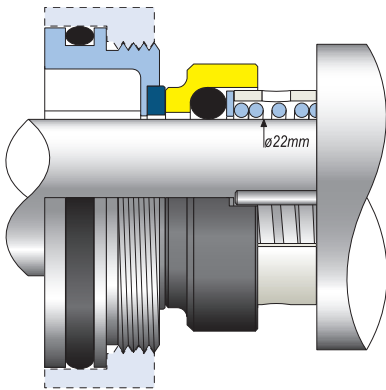




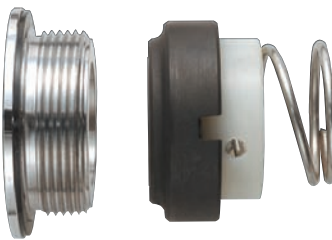
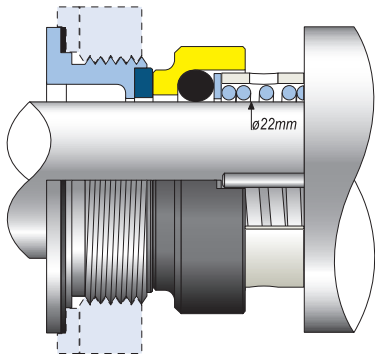
CM/EM Series Pumps



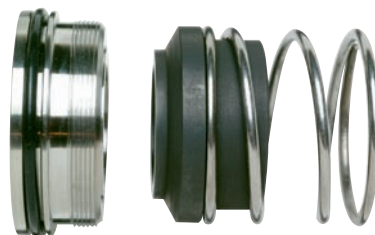
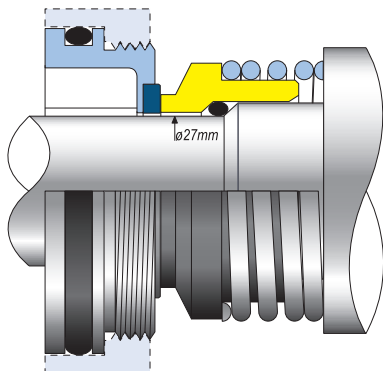
FM Series Pumps



MR Series Pumps

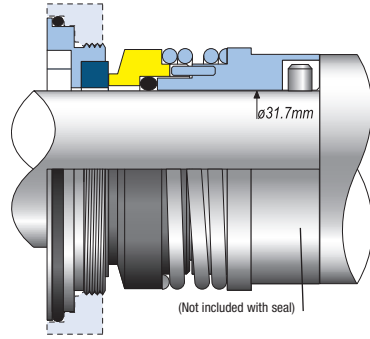


GM/ME Series Pumps

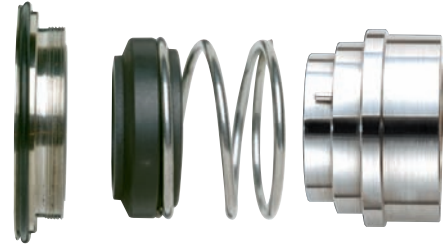


MR Series Pumps

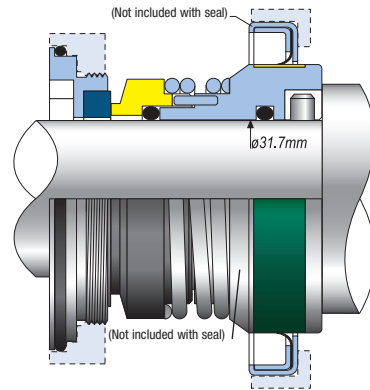
LKH Series Pumps



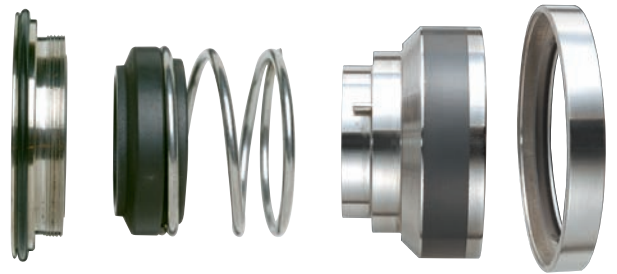
Single Seal



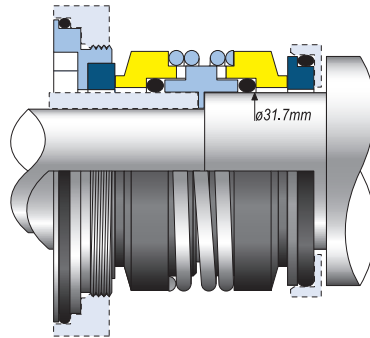
LKH Series Pumps



Flushed Seal



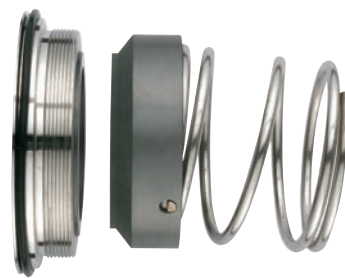
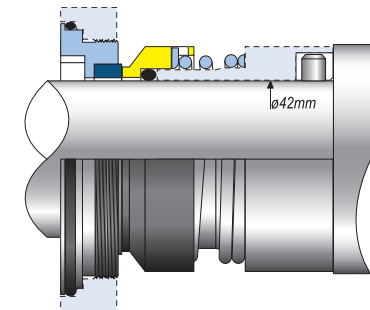
LKH Series Pumps



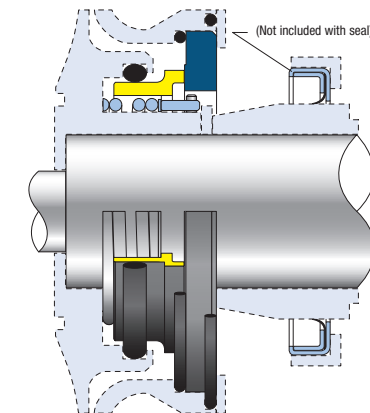
Double Seal



LKH Series Pumps

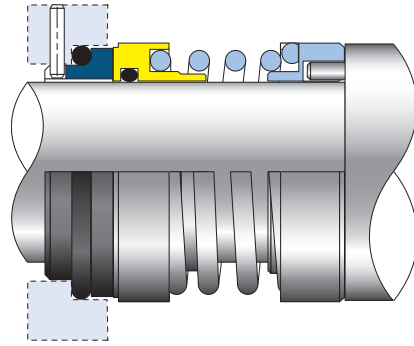


ALC Series Pumps



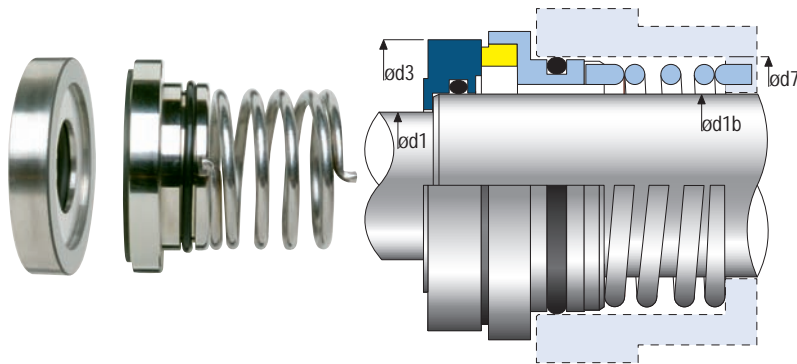
401H

Seals to suit J & E Hall V54 (4,6 and 8 Cylinder) Compressors
V92 (3 and 4 Cylinder) Compressors



TUCH

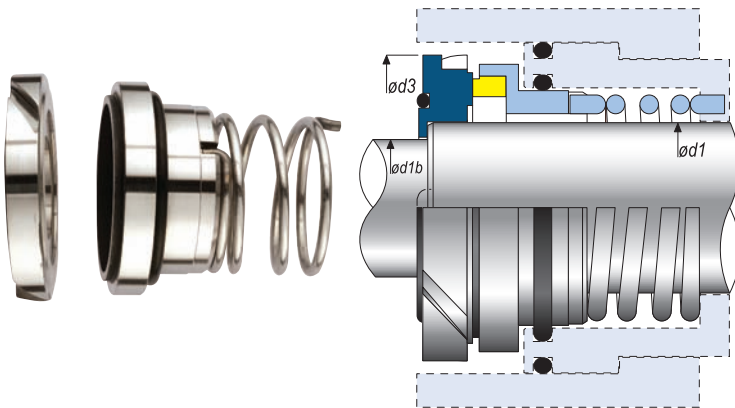
Seals to suit Tuchenhagen AR, AG, ZR and ZG



d1		d1b		d3		d7	
Metric	Inches	Metric	Inches	Metric	Inches	Metric	Inches
12.0	0.472	16.0	0.630	35.0	1.378	30.0	1.181
18.0	0.709	25.0	0.984	59.0	2.323	50.0	1.969
21.0	0.827	25.0	0.984	59.0	2.323	50.0	1.969
28.0	1.102	36.0	1.417	59.0	2.323	50.0	1.969
40.0	1.575	50.0	1.969	73.0	2.874	64.0	2.520

TUCHS

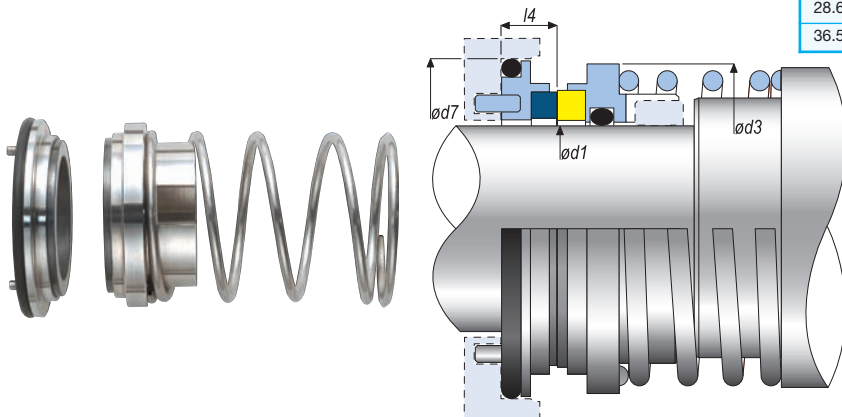
Seals to suit Tuchenhagen VPB, VPC, VPD Pumps



d1		d1b		d3	
Metric	Inches	Metric	Inches	Metric	Inches
22.0	0.866	18.0	0.709	52.0	2.047
30.0	1.181	22.0	0.866	66.0	2.598
35.0	1.378	30.0	1.181	66.0	2.598

SVK

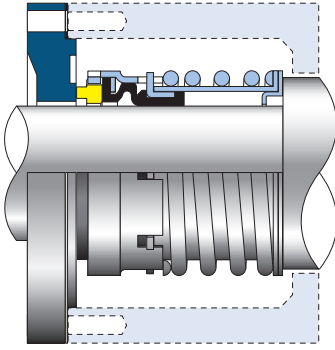
Seals to suit Viking Pumps



d1		d3		d7		l4	
Metric	Inches	Metric	Inches	Metric	Inches	Metric	Inches
28.6	1.125	47.2	1.858	50.8	2.000	9.4	0.370
36.5	1.437	56.5	2.224	58.8	2.313	9.4	0.370

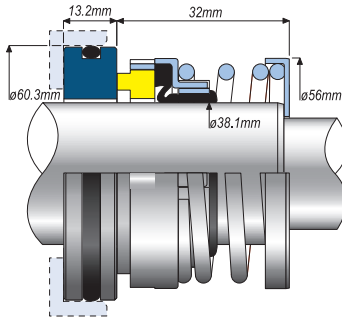
Seal to suit Carrier 05G, 5F20, 30, 40 and 60 Compressors
5H40, 46, 60, 66, 80 and 86 Compressors

212CA



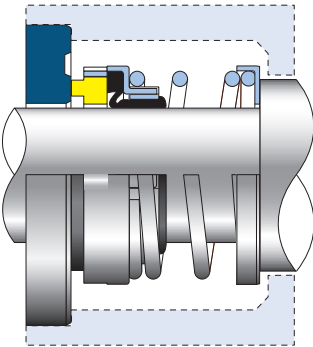
Seals to suit Gorman Rupp Pump type T3, T4 and T6

212G



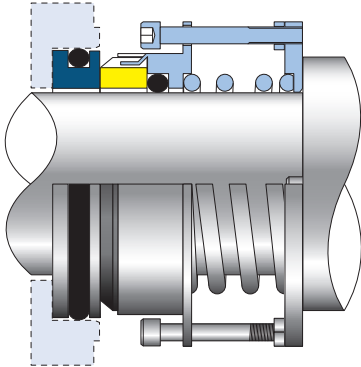
Seal to suit Stal P2C, P24, P28, P42, PK6, PK8 and PK24 Compressors

212S



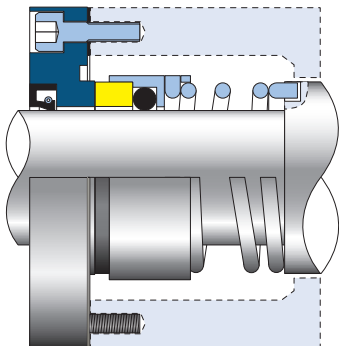
Seal to suit Bitzer 4H.2 and 6F.2 Compressors (Up to serial number 469 999)

213

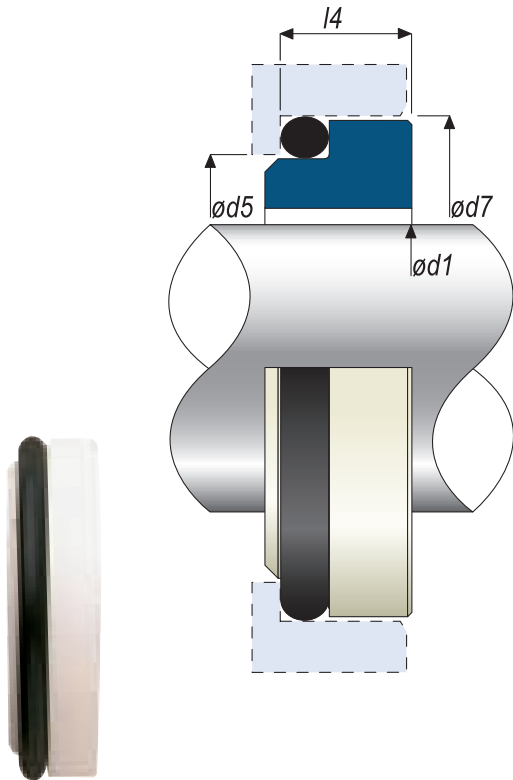


Seal to suit Bock F4 and F5 (BF0 4 and BF0 5) Compressors

214

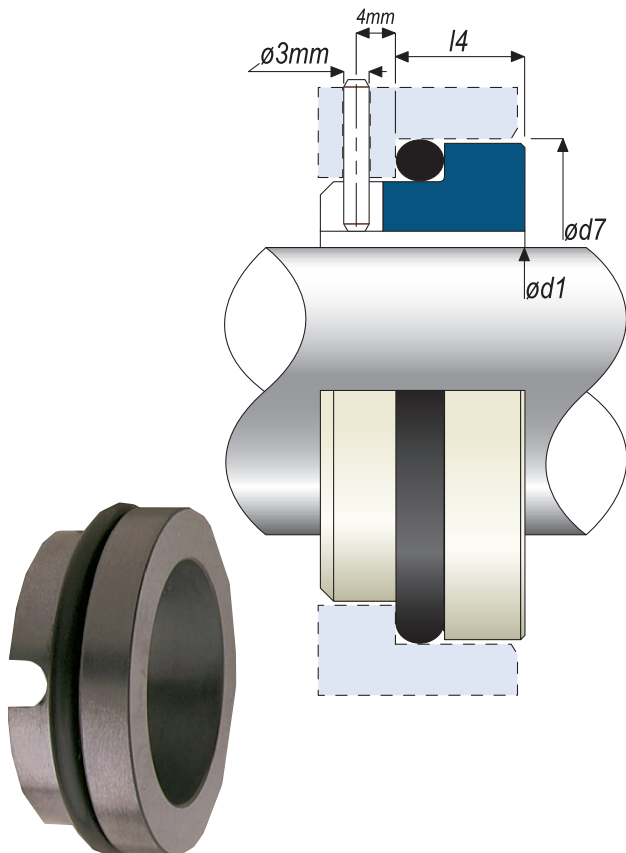


G4



d1		d5		d7		l4	
Metric	Inches	Metric	Inches	Metric	Inches	Metric	Inches
10.0	0.394	15.5	0.610	19.2	0.756	6.6	0.260
12.0	0.472	17.5	0.689	21.6	0.850	5.6	0.220
14.0	0.551	20.5	0.807	24.6	0.969	5.6	0.220
15.0	0.591	20.5	0.807	24.6	0.969	6.6	0.260
16.0	0.630	22.0	0.866	28.0	1.102	7.5	0.295
18.0	0.709	24.0	0.945	30.0	1.181	8.0	0.315
20.0	0.787	29.5	1.161	35.0	1.378	7.5	0.295
22.0	0.866	29.5	1.161	35.0	1.378	7.5	0.295
24.0	0.945	32.0	1.260	38.0	1.496	7.5	0.295
25.0	0.984	32.0	1.260	38.0	1.496	7.5	0.295
28.0	1.102	36.0	1.417	42.0	1.654	9.0	0.354
30.0	1.181	39.2	1.543	45.0	1.772	10.5	0.413
32.0	1.260	42.2	1.661	48.0	1.890	10.5	0.413
33.0	1.299	42.2	1.661	50.0	1.969	11.0	0.433
35.0	1.378	46.2	1.819	52.0	2.047	11.0	0.433
38.0	1.496	49.2	1.937	55.0	2.165	10.3	0.406
40.0	1.575	52.2	2.055	58.0	2.283	10.8	0.425
43.0	1.693	53.3	2.098	62.0	2.441	12.0	0.472
45.0	1.772	53.3	2.098	64.0	2.520	11.6	0.457
48.0	1.890	59.7	2.350	68.4	2.693	11.6	0.457
50.0	1.969	60.8	2.394	69.3	2.728	11.6	0.457
53.0	2.087	63.8	2.512	72.3	2.846	12.3	0.484
55.0	2.165	66.5	2.618	75.4	2.969	13.3	0.524
58.0	2.283	69.5	2.736	78.4	3.087	13.3	0.524
60.0	2.362	71.5	2.815	80.4	3.165	13.3	0.524
65.0	2.559	76.5	3.012	85.4	3.362	13.0	0.512
68.0	2.677	82.7	3.256	91.5	3.602	13.7	0.539
70.0	2.756	83.0	3.268	92.0	3.622	13.0	0.512
75.0	2.953	90.2	3.551	99.0	3.898	14.0	0.551
80.0	3.150	95.2	3.748	104.0	4.094	15.0	0.591
85.0	3.346	100.2	3.945	109.0	4.291	14.8	0.583
90.0	3.543	105.2	4.142	114.0	4.488	14.8	0.583
95.0	3.740	111.6	4.394	120.3	4.736	15.8	0.622
100.0	3.937	114.2	4.496	123.3	4.854	15.8	0.622

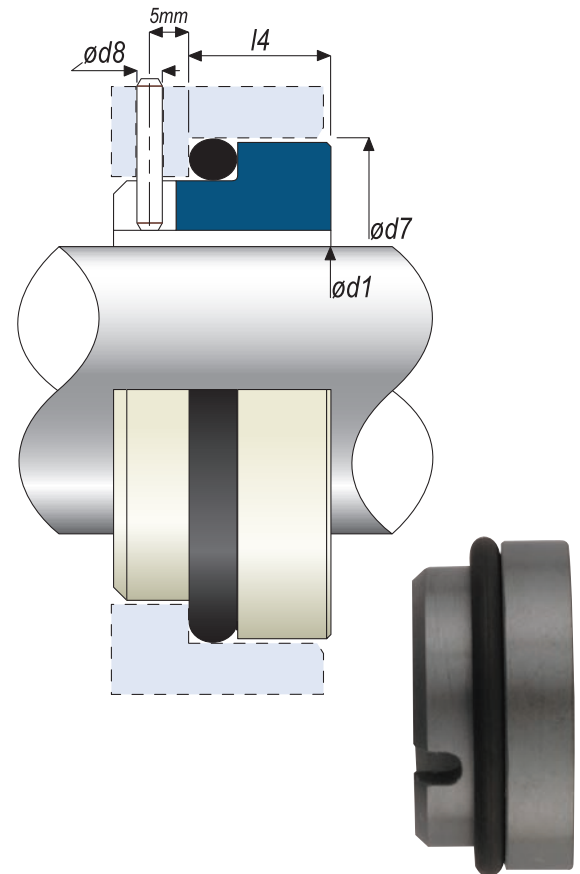
G4/SL



d1		d7		l4	
Metric	Inches	Metric	Inches	Metric	Inches
10.0	0.394	19.2	0.756	5.6	0.220
12.0	0.473	21.6	0.850	5.6	0.220
14.0	0.551	24.6	0.969	6.6	0.260
15.0	0.591	24.6	0.969	6.6	0.260
16.0	0.630	28.0	1.102	7.0	0.276
18.0	0.709	30.0	1.181	8.0	0.315
19.0	0.748	35.0	1.378	7.5	0.295
20.0	0.787	35.0	1.378	7.5	0.295
22.0	0.866	35.0	1.378	7.5	0.295
24.0	0.945	38.0	1.496	7.5	0.295
25.0	0.984	38.0	1.496	7.5	0.295
26.0	1.024	38.0	1.496	7.5	0.295
28.0	1.102	42.0	1.654	9.0	0.354
30.0	1.181	45.0	1.772	10.5	0.413
32.0	1.260	48.0	1.890	10.5	0.413
35.0	1.378	52.0	2.047	11.0	0.433
38.0	1.496	55.0	2.165	10.3	0.406
40.0	1.575	58.0	2.283	10.8	0.425
42.0	1.654	62.0	2.441	12.2	0.480
45.0	1.772	64.0	2.520	11.8	0.465
48.0	1.890	68.4	2.693	11.8	0.465
50.0	1.969	69.3	2.728	11.8	0.465
55.0	2.165	75.4	2.969	13.5	0.531
58.0	2.283	78.4	3.087	13.5	0.531
60.0	2.362	80.4	3.165	13.5	0.531
65.0	2.559	85.4	3.362	13.2	0.520
68.0	2.677	91.5	3.602	13.7	0.539
70.0	2.756	92.0	3.622	13.2	0.520
75.0	2.953	99.0	3.898	14.2	0.559
80.0	3.150	104.0	4.094	15.2	0.598

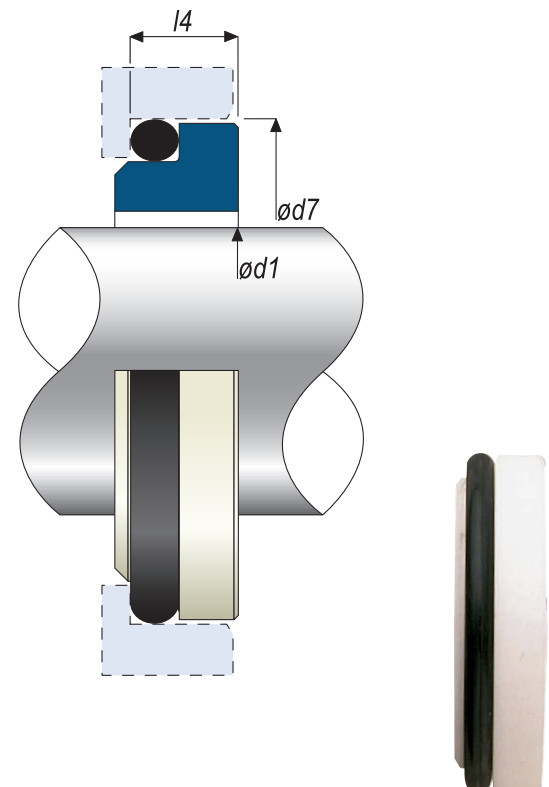
G9 DINL

d1		d7		d8		l4	
Metric	Inches	Metric	Inches	Metric	Inches	Metric	Inches
12.0	0.472	23.0	0.906	3.0	0.118	10.0	0.394
14.0	0.551	25.0	0.984	3.0	0.118	10.0	0.394
16.0	0.630	27.0	1.063	3.0	0.118	10.0	0.394
18.0	0.709	33.0	1.299	3.0	0.118	11.5	0.453
20.0	0.787	35.0	1.378	3.0	0.118	11.5	0.453
22.0	0.866	37.0	1.457	3.0	0.118	11.5	0.453
24.0	0.945	39.0	1.535	3.0	0.118	11.5	0.453
25.0	0.984	40.0	1.575	3.0	0.118	11.5	0.453
28.0	1.102	43.0	1.693	3.0	0.118	11.5	0.453
30.0	1.181	45.0	1.772	3.0	0.118	11.5	0.453
32.0	1.260	48.0	1.890	3.0	0.118	11.5	0.453
33.0	1.299	48.0	1.890	3.0	0.118	11.5	0.453
35.0	1.378	50.0	1.969	3.0	0.118	11.5	0.453
38.0	1.496	56.0	2.205	4.0	0.157	14.0	0.551
40.0	1.575	58.0	2.283	4.0	0.157	14.0	0.551
43.0	1.693	61.0	2.402	4.0	0.157	14.0	0.551
45.0	1.772	63.0	2.480	4.0	0.157	14.0	0.551
48.0	1.890	66.0	2.598	4.0	0.157	14.0	0.551
50.0	1.969	70.0	2.756	4.0	0.157	15.0	0.591
53.0	2.087	73.0	2.875	4.0	0.157	15.0	0.591
55.0	2.165	75.0	2.953	4.0	0.157	15.0	0.591
58.0	2.283	78.0	3.071	4.0	0.157	15.0	0.591
60.0	2.362	80.0	3.150	4.0	0.157	15.0	0.591
65.0	2.559	85.0	3.346	4.0	0.157	15.0	0.591
68.0	2.677	90.0	3.543	4.0	0.157	18.0	0.709
70.0	2.756	92.0	3.622	4.0	0.157	18.0	0.709
75.0	2.953	97.0	3.819	4.0	0.157	18.0	0.709
80.0	3.150	105.0	4.134	4.0	0.157	18.2	0.717
85.0	3.346	110.0	4.331	4.0	0.157	18.2	0.717
90.0	3.543	115.0	4.528	4.0	0.157	18.2	0.717
95.0	3.740	120.0	4.724	4.0	0.157	17.2	0.677
100.0	3.937	125.0	4.921	4.0	0.157	17.2	0.677

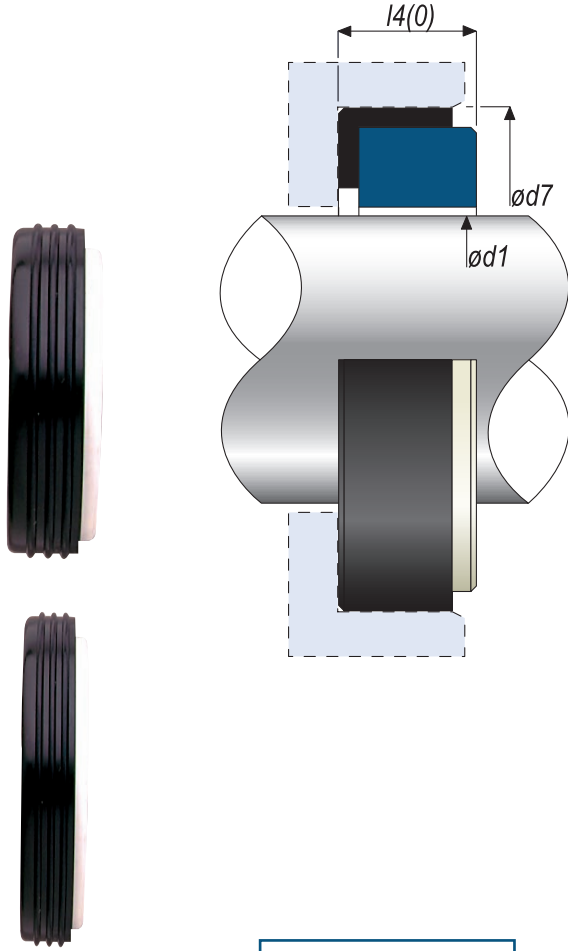


G6 DIN5

d1		d7		l4	
Metric	Inches	Metric	Inches	Metric	Inches
10.0	0.394	21.0	0.827	6.6	0.260
12.0	0.472	23.0	0.906	6.6	0.260
14.0	0.551	25.0	0.984	6.6	0.260
16.0	0.630	27.0	1.063	6.6	0.260
18.0	0.709	33.0	1.299	7.5	0.295
20.0	0.787	35.0	1.378	7.5	0.295
22.0	0.866	37.0	1.457	7.5	0.295
24.0	0.945	39.0	1.535	7.5	0.295
25.0	0.984	40.0	1.575	7.5	0.295
28.0	1.102	43.0	1.693	7.5	0.295
30.0	1.181	45.0	1.772	7.5	0.295
32.0	1.260	48.0	1.890	7.5	0.295
33.0	1.299	48.0	1.890	7.5	0.295
35.0	1.378	50.0	1.969	7.5	0.295
38.0	1.496	56.0	2.205	9.0	0.354
40.0	1.575	58.0	2.283	9.0	0.354
43.0	1.693	61.0	2.402	9.0	0.354
45.0	1.772	63.0	2.480	9.0	0.354
48.0	1.890	66.0	2.598	9.0	0.354
50.0	1.969	70.0	2.756	9.5	0.374
53.0	2.087	73.0	2.874	11.0	0.433
55.0	2.165	75.0	2.953	11.0	0.433
58.0	2.283	78.0	3.071	11.0	0.433
60.0	2.362	80.0	3.150	11.0	0.433
65.0	2.559	85.0	3.346	11.0	0.433
68.0	2.677	90.0	3.543	11.3	0.445
70.0	2.756	92.0	3.622	11.3	0.445
75.0	2.953	97.0	3.819	11.3	0.445
80.0	3.150	105.0	4.134	12.0	0.472
85.0	3.346	110.0	4.331	14.0	0.551
90.0	3.543	115.0	4.528	14.0	0.551
95.0	3.740	120.0	4.724	14.0	0.551
100.0	3.937	125.0	4.921	14.0	0.551

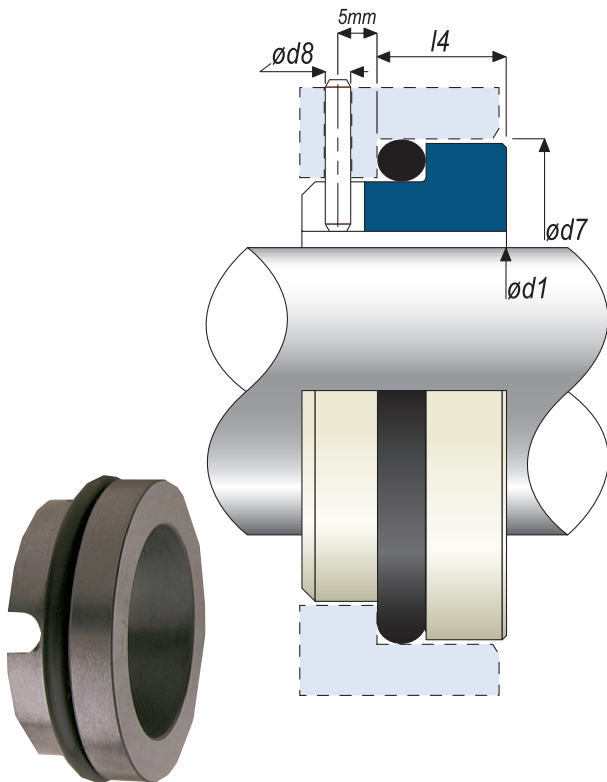


522/G60



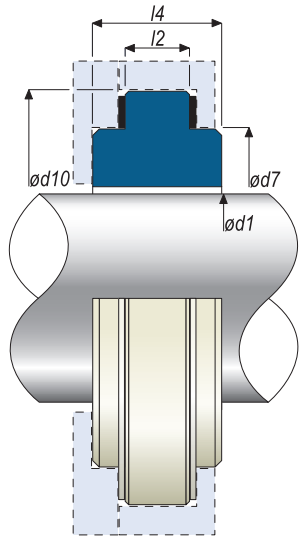
d1		d7		l4 (522)		l40 (G60)	
Metric	Inches	Metric	Inches	Metric	Inches	Metric	Inches
12.0	0.472	23.0	0.906	8.6	0.339	6.6	0.260
14.0	0.551	25.0	0.984	8.6	0.339	6.6	0.260
16.0	0.630	27.0	1.063	8.6	0.339	6.6	0.260
18.0	0.709	33.0	1.299	10.0	0.394	7.5	0.295
20.0	0.787	35.0	1.378	10.0	0.394	7.5	0.295
22.0	0.866	37.0	1.457	10.0	0.394	7.5	0.295
24.0	0.945	39.0	1.535	10.0	0.394	7.5	0.295
25.0	0.984	40.0	1.575	10.0	0.394	7.5	0.295
28.0	1.102	43.0	1.693	10.0	0.394	7.5	0.295
30.0	1.181	45.0	1.772	10.0	0.394	7.5	0.295
32.0	1.260	48.0	1.890	10.0	0.394	7.5	0.295
33.0	1.299	48.0	1.890	10.0	0.394	7.5	0.295
35.0	1.378	50.0	1.969	10.0	0.394	7.5	0.295
38.0	1.496	56.0	2.205	11.0	0.433	9.0	0.354
40.0	1.575	58.0	2.283	11.0	0.433	9.0	0.354
43.0	1.693	61.0	2.402	11.0	0.433	9.0	0.354
45.0	1.772	63.0	2.480	11.0	0.433	9.0	0.354
48.0	1.890	66.0	2.598	11.0	0.433	9.0	0.354
50.0	1.969	70.0	2.756	13.0	0.512	9.5	0.374
53.0	2.087	73.0	2.874	13.0	0.512	11.0	0.433
55.0	2.165	75.0	2.953	13.0	0.512	11.0	0.433
58.0	2.283	78.0	3.071	13.0	0.512	11.0	0.433
60.0	2.362	80.0	3.150	13.0	0.512	11.0	0.433
63.0	2.480	83.0	3.268	13.0	0.512	11.0	0.433
65.0	2.559	85.0	3.346	13.0	0.512	11.0	0.433
68.0	2.677	90.0	3.543	15.3	0.602	11.3	0.445
70.0	2.756	92.0	3.622	15.3	0.602	11.3	0.445
75.0	2.953	97.0	3.819	15.3	0.602	11.3	0.445
80.0	3.150	105.0	4.134	15.7	0.618	12.0	0.472
85.0	3.346	110.0	4.331	15.7	0.618	14.0	0.551
90.0	3.543	115.0	4.528	15.7	0.618	14.0	0.551
95.0	3.740	120.0	4.724	15.7	0.618	14.0	0.551
100.0	3.937	125.0	4.921	15.7	0.618	14.0	0.551

G46 DINL

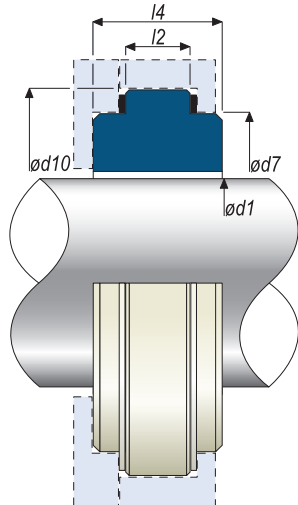


d1		d7		d8		l4	
Metric	Inches	Metric	Inches	Metric	Inches	Metric	Inches
10.0	0.394	21.0	0.827	3.0	0.118	8.6	0.339
12.0	0.472	23.0	0.906	3.0	0.118	8.6	0.339
14.0	0.551	25.0	0.984	3.0	0.118	8.6	0.339
16.0	0.630	27.0	1.063	3.0	0.118	8.6	0.339
18.0	0.709	33.0	1.260	3.0	0.118	10.0	0.394
20.0	0.787	35.0	1.378	3.0	0.118	10.0	0.394
22.0	0.866	37.0	1.457	3.0	0.118	10.0	0.394
24.0	0.945	39.0	1.535	3.0	0.118	10.0	0.394
25.0	0.984	40.0	1.575	3.0	0.118	10.0	0.394
28.0	1.102	43.0	1.693	3.0	0.118	10.0	0.394
30.0	1.181	45.0	1.772	3.0	0.118	10.0	0.394
32.0	1.260	48.0	1.890	3.0	0.118	10.0	0.394
33.0	1.299	48.0	1.890	3.0	0.118	10.0	0.394
35.0	1.378	50.0	1.969	3.0	0.118	10.0	0.394
38.0	1.496	56.0	2.205	4.0	0.157	11.0	0.433
40.0	1.575	58.0	2.283	4.0	0.157	11.0	0.433
43.0	1.693	61.0	2.402	4.0	0.157	11.0	0.433
45.0	1.772	63.0	2.480	4.0	0.157	11.0	0.433
48.0	1.890	66.0	2.598	4.0	0.157	11.0	0.433
50.0	1.969	70.0	2.756	4.0	0.157	13.0	0.512
53.0	2.087	73.0	2.874	4.0	0.157	13.0	0.512
55.0	2.165	75.0	2.953	4.0	0.157	13.0	0.512
58.0	2.283	78.0	3.071	4.0	0.157	13.0	0.512
60.0	2.362	80.0	3.150	4.0	0.157	13.0	0.512
63.0	2.480	83.0	3.268	4.0	0.157	13.0	0.512
65.0	2.559	85.0	3.346	4.0	0.157	13.0	0.512
68.0	2.677	90.0	3.543	4.0	0.157	15.3	0.602
70.0	2.756	92.0	3.622	4.0	0.157	15.3	0.602
75.0	2.953	97.0	3.819	4.0	0.157	15.3	0.602
80.0	3.150	105.0	4.134	4.0	0.157	15.7	0.618
85.0	3.346	110.0	4.331	4.0	0.157	15.7	0.618
90.0	3.543	115.0	4.528	4.0	0.157	15.7	0.618
95.0	3.740	120.0	4.724	4.0	0.157	15.7	0.618
100.0	3.937	125.0	4.921	4.0	0.157	15.7	0.618

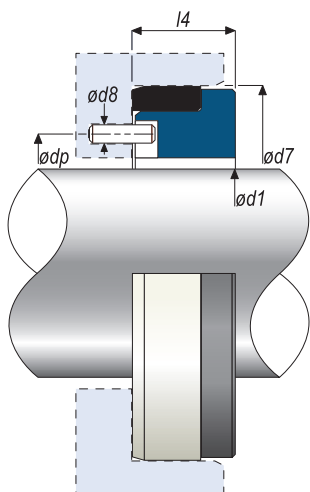
V-STAT



VA-STAT



A-STAT



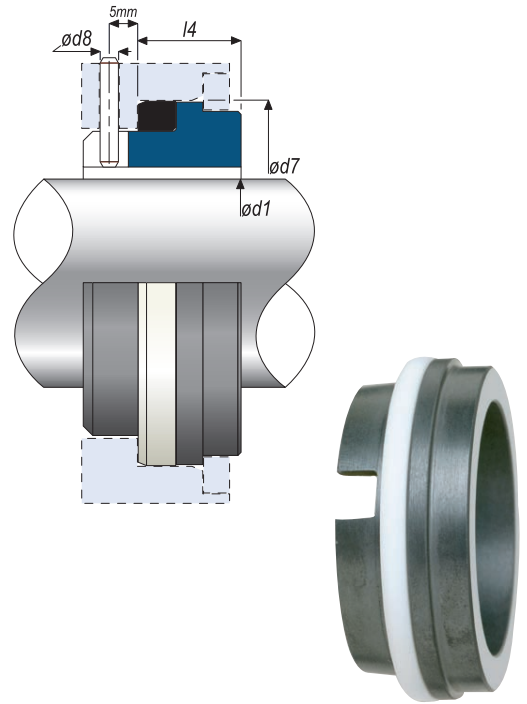
d1		d7		d10		l4		l2	
Metric	Inches	Metric	Inches	Metric	Inches	Metric	Inches	Metric	Inches
19.1	0.750	36.5	1.437	48.0	1.889	17.4	0.685	7.9	0.311
22.2	0.875	39.7	1.563	51.0	2.007	17.4	0.685	7.9	0.311
25.4	1.000	42.9	1.689	54.0	2.125	17.4	0.685	7.9	0.311
28.6	1.125	46.0	1.811	60.0	2.362	26.9	1.059	11.1	0.437
31.7	1.250	50.8	2.000	65.0	2.559	26.9	1.059	11.1	0.437
34.9	1.375	53.9	2.125	68.0	2.677	26.9	1.059	11.1	0.437
38.1	1.500	57.1	2.250	71.0	2.795	26.9	1.059	11.1	0.437
41.2	1.625	63.5	2.500	78.0	3.070	26.9	1.059	11.1	0.437
44.4	1.750	66.7	2.625	81.0	3.188	26.9	1.059	11.1	0.437
47.6	1.875	69.8	2.750	84.0	3.307	26.9	1.059	11.1	0.437
50.8	2.000	73.0	2.875	87.0	3.425	26.9	1.059	11.1	0.437
53.9	2.125	79.4	3.125	97.0	3.818	33.3	1.311	14.3	0.563
57.1	2.250	82.5	3.250	100.0	3.937	33.3	1.311	14.3	0.563
60.3	2.375	85.7	3.375	103.0	4.055	33.3	1.311	14.3	0.563
63.5	2.500	88.9	3.500	106.0	4.173	33.3	1.311	14.3	0.563
66.6	2.625	92.0	3.625	110.0	4.330	33.3	1.311	14.3	0.563
69.8	2.750	95.2	3.750	113.0	4.448	33.3	1.311	14.3	0.563
73.0	2.875	98.4	3.875	116.0	4.566	33.3	1.311	14.3	0.563
76.2	3.000	100.0	3.937	117.0	4.606	33.3	1.311	14.3	0.563

d1		d7		d10		l2		l4	
Metric	Inches	Metric	Inches	Metric	Inches	Metric	Inches	Metric	Inches
28.6	1.125	47.4	1.865	56.8	2.237	9.5	0.375	20.6	0.812
34.9	1.375	53.7	2.115	66.1	2.604	9.5	0.375	22.2	0.875
34.9 (G)	1.375	50.5	1.990	59.9	2.360	12.7	0.500	25.4	1.000
44.4	1.750	66.4	2.615	78.8	3.104	9.5	0.375	22.2	0.875
44.4 (G)	1.750	63.2	2.490	76.1	2.995	12.7	0.500	25.4	1.000

d1		d7		d8		dp		l4	
Metric	Inches	Metric	Inches	Metric	Inches	Metric	Inches	Metric	Inches
19.1	0.750	34.9	1.375	2.0	0.078	23.9	0.941	10.3	0.405
22.2	0.875	38.1	1.500	2.0	0.078	27.0	1.062	10.3	0.405
25.4	1.000	41.2	1.625	2.0	0.078	30.1	1.187	11.1	0.437
28.6	1.125	44.4	1.750	2.0	0.078	33.3	1.313	11.1	0.437
31.7	1.250	47.6	1.875	2.0	0.078	36.5	1.437	11.1	0.437
34.9	1.375	50.8	2.000	2.0	0.078	39.7	1.563	11.1	0.437
38.1	1.500	53.9	2.125	2.0	0.078	42.8	1.687	11.1	0.437
41.2	1.625	60.3	2.375	3.0	0.118	47.6	1.875	12.7	0.500
44.4	1.750	63.5	2.500	3.0	0.118	50.8	2.000	12.7	0.500
47.6	1.875	66.6	2.625	3.0	0.118	54.0	2.125	12.7	0.500
50.8	2.000	69.8	2.750	3.0	0.118	57.1	2.250	12.7	0.500
53.9	2.125	76.2	3.000	3.0	0.118	60.3	2.375	14.3	0.563
57.1	2.250	79.4	3.125	3.0	0.118	63.5	2.500	14.3	0.563
60.3	2.375	82.5	3.250	3.0	0.118	66.7	2.625	14.3	0.563
63.5	2.500	85.7	3.375	3.0	0.118	69.8	2.750	14.3	0.563
66.6	2.625	85.7	3.375	3.0	0.118	73.0	2.875	15.9	0.625
69.8	2.750	88.9	3.500	3.0	0.118	76.2	3.000	15.9	0.625
73.0	2.875	95.2	3.750	3.0	0.118	79.3	3.125	15.9	0.625
76.2	3.000	98.4	3.875	3.0	0.118	82.5	3.250	15.9	0.625

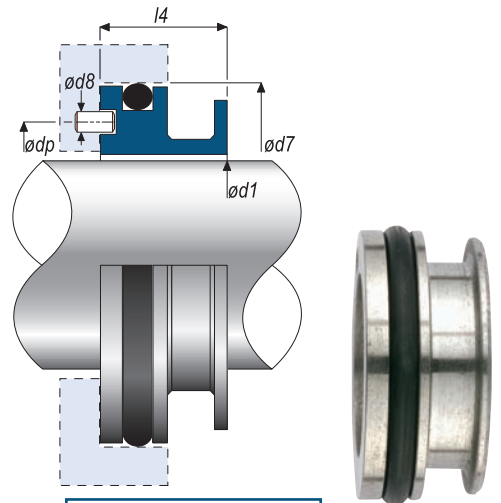
BD-STAT

d1		d7		d8		l4	
Metric	Inches	Metric	Inches	Metric	Inches	Metric	Inches
20.0	0.787	35.0	1.378	3.0	0.118	13.5	0.531
22.0	0.866	37.0	1.457	3.0	0.118	13.5	0.531
24.0	0.945	39.0	1.535	3.0	0.118	13.5	0.531
25.0	0.984	40.0	1.575	3.0	0.118	13.0	0.511
28.0	1.102	43.0	1.693	3.0	0.118	12.5	0.492
30.0	1.181	45.0	1.772	3.0	0.118	12.0	0.472
32.0	1.260	48.0	1.890	3.0	0.118	12.0	0.472
33.0	1.299	48.0	1.890	3.0	0.118	12.0	0.472
35.0	1.378	50.0	1.969	3.0	0.118	12.0	0.472
38.0	1.496	56.0	2.205	4.0	0.157	13.0	0.511
40.0	1.575	58.0	2.283	4.0	0.157	13.0	0.511
43.0	1.693	61.0	2.402	4.0	0.157	13.0	0.511
45.0	1.772	63.0	2.480	4.0	0.157	13.0	0.511
48.0	1.890	66.0	2.598	4.0	0.157	13.0	0.511
50.0	1.969	70.0	2.756	4.0	0.157	13.5	0.531
53.0	2.087	73.0	2.874	4.0	0.157	13.5	0.531
55.0	2.165	75.0	2.953	4.0	0.157	13.5	0.531
58.0	2.283	78.0	3.071	4.0	0.157	13.5	0.531
60.0	2.362	80.0	3.150	4.0	0.157	13.5	0.531
63.0	2.480	83.0	3.268	4.0	0.157	13.5	0.531
65.0	2.559	85.0	3.346	4.0	0.157	13.5	0.531
68.0	2.677	90.0	3.543	4.0	0.157	13.5	0.531
70.0	2.756	92.0	3.622	4.0	0.157	14.5	0.571
75.0	2.953	97.0	3.819	4.0	0.157	14.5	0.571
80.0	3.149	105.0	4.133	4.0	0.157	15.0	0.591
85.0	3.346	110.0	4.330	4.0	0.157	15.0	0.591
90.0	3.543	115.0	4.527	4.0	0.157	15.0	0.591
95.0	3.740	120.0	4.724	4.0	0.157	15.0	0.591
100.0	3.937	125.0	4.921	4.0	0.157	15.0	0.591



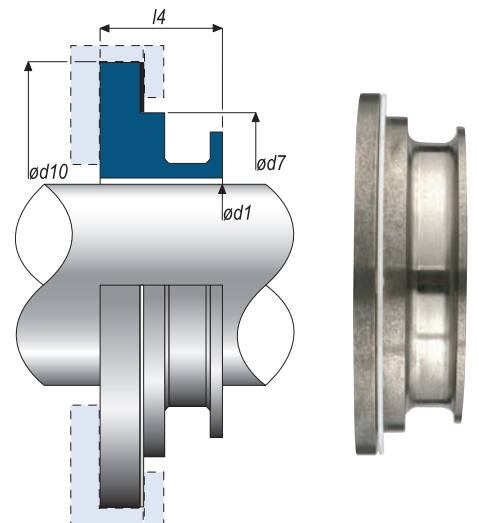
OH-STAT

d1		d7		d8		dp		l4	
Metric	Inches	Metric	Inches	Metric	Inches	Metric	Inches	Metric	Inches
19.1	0.750	34.1	1.344	3.0	0.118	26.0	1.024	20.6	0.811
28.6	1.125	47.6	1.875	3.5	0.138	38.1	1.500	23.9	0.941
31.7	1.250	50.8	2.000	3.5	0.138	41.2	1.625	23.9	0.941
34.9	1.375	53.9	2.125	3.5	0.138	44.4	1.750	23.9	0.941
38.1	1.500	57.1	2.250	3.5	0.138	47.6	1.875	23.9	0.941
41.2	1.625	60.3	2.375	3.5	0.138	50.8	2.000	23.9	0.941
44.4	1.750	63.5	2.500	3.5	0.138	53.9	2.125	23.9	0.941
50.8	2.000	69.8	2.750	3.5	0.138	60.3	2.375	27.0	1.063
53.9	2.125	73.0	2.875	3.5	0.138	63.5	2.500	27.0	1.063
66.6	2.625	92.1	3.625	4.5	0.177	79.4	3.125	31.9	1.256



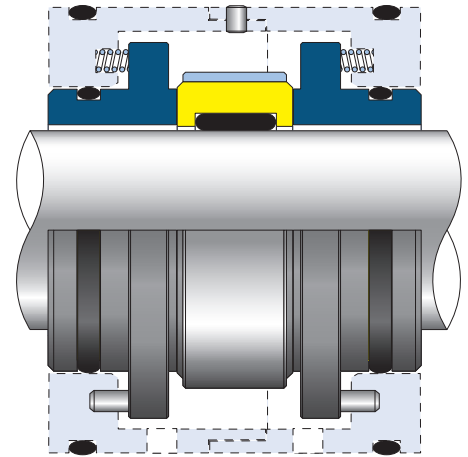
J-STAT

d1		d7		d10		l4	
Metric	Inches	Metric	Inches	Metric	Inches	Metric	Inches
53.9	2.125	79.5	3.125	95.3	3.750	27.0	1.063
66.6	2.625	91.8	3.625	107.9	4.250	32.5	1.280
85.7	3.375	111.0	4.375	127.0	5.000	36.5	1.437



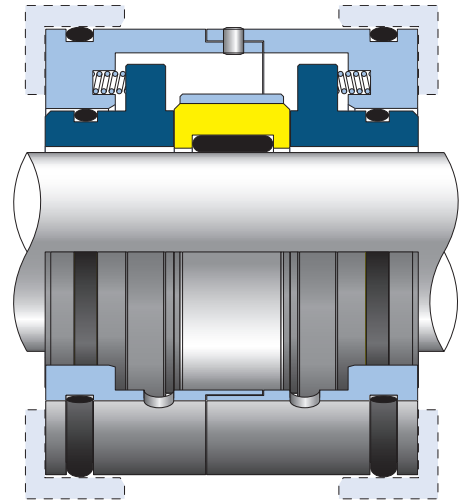
EMU

Double face kits to suit EMU Pumps (35mm, 50mm and 75mm)



EMUC

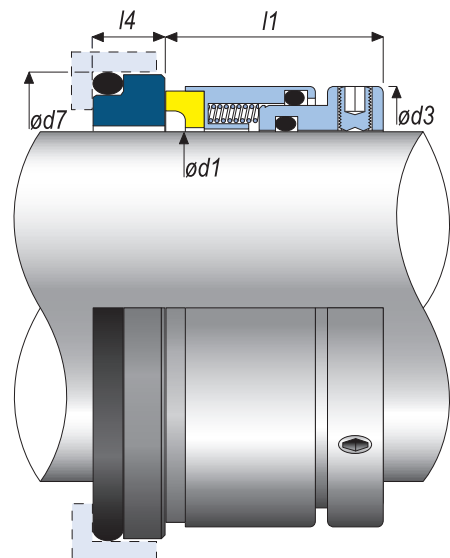
Double face kits including Collet to suit EMU Pumps (35mm, 50mm and 75mm)



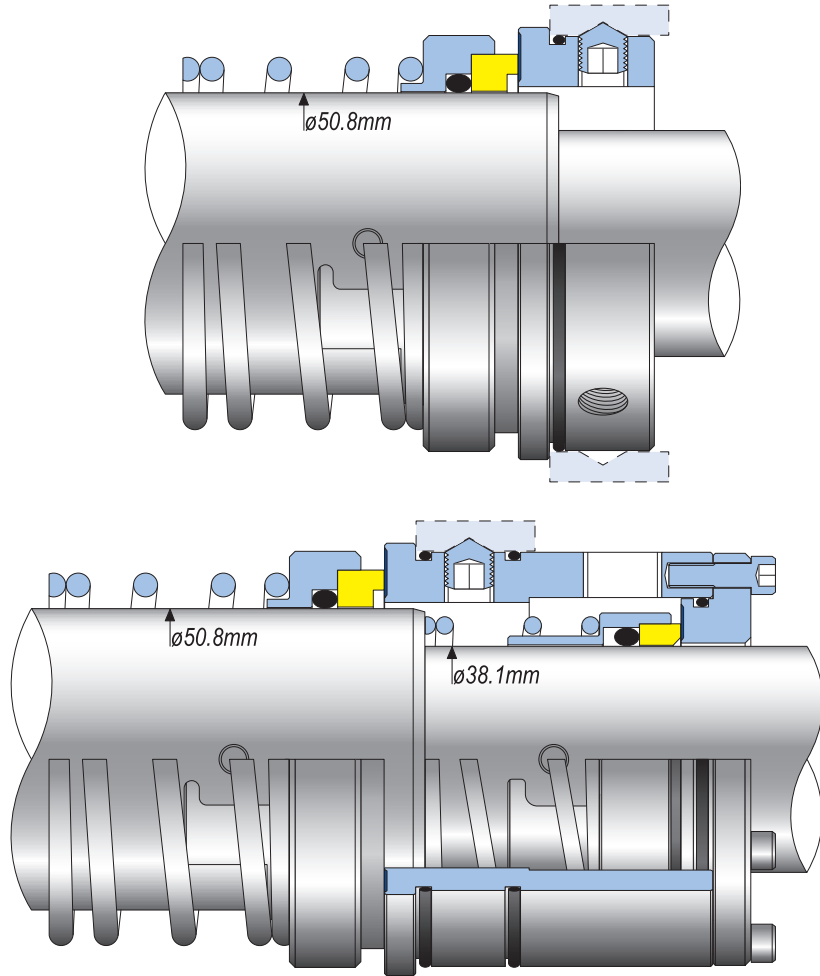
299E

Seals to suit EMU Pumps

d1		d3		d7		l1		l4	
Metric	Inches	Metric	Inches	Metric	Inches	Metric	Inches	Metric	Inches
85.0	3.346	103.2	4.063	109.0	4.291	44.2	1.740	14.8	0.583
105.0	4.134	129.0	5.079	134.3	5.287	36.5	1.437	14.8	0.583

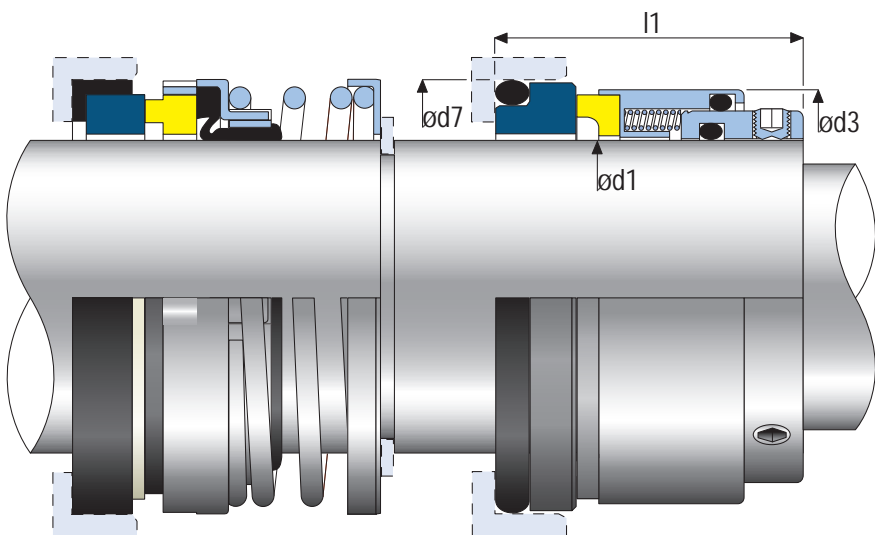


CONTH



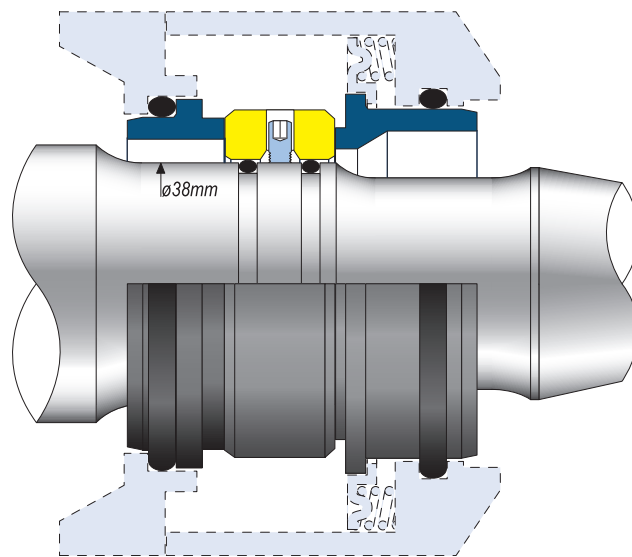
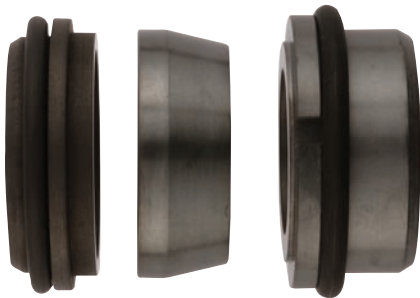
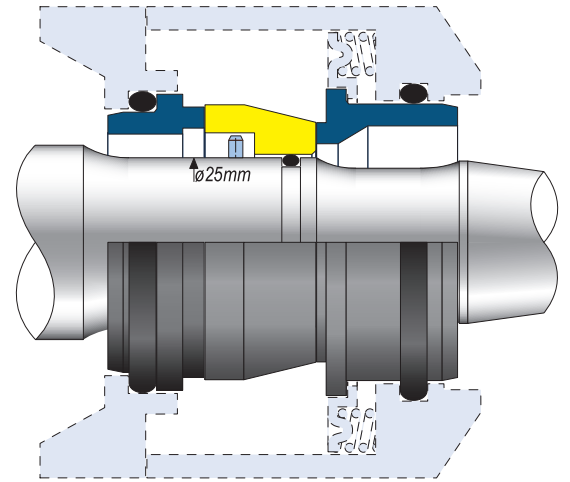
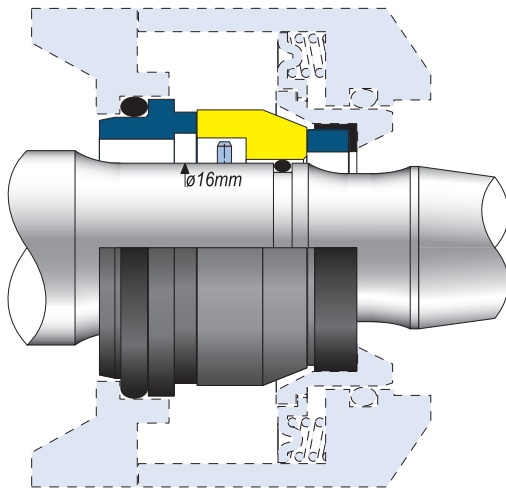
299H

d1		d3		d7		l1		Seat Type
Metric	Inches	Metric	Inches	Metric	Inches	Metric	Inches	
28.6	1.125	43.1	1.698	44.4	1.750	38.1	1.500	O Ring Mounted
38.1	1.500	52.7	2.073	53.9	2.125	39.6	1.559	
50.8	2.000	65.9	2.593	69.8	2.750	46.6	1.835	Boot Mounted
76.2	3.000	93.6	3.687	98.4	3.875	52.4	2.063	



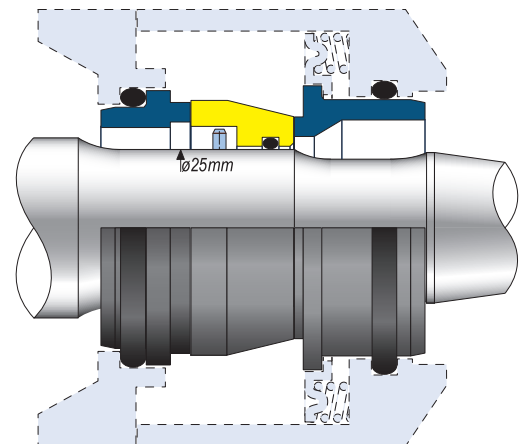
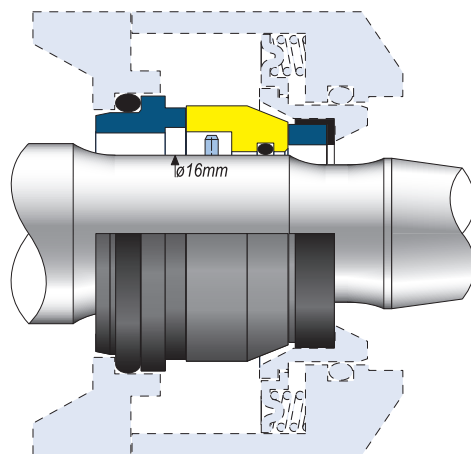
SARLIN

Double seals to suit Sarlin Pumps



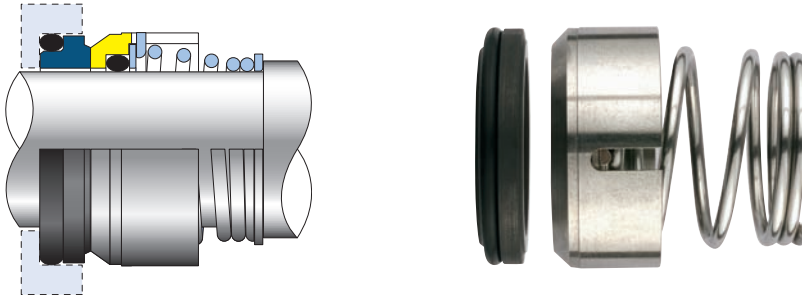
SARLINS

Double seals to suit Sarlin Pumps



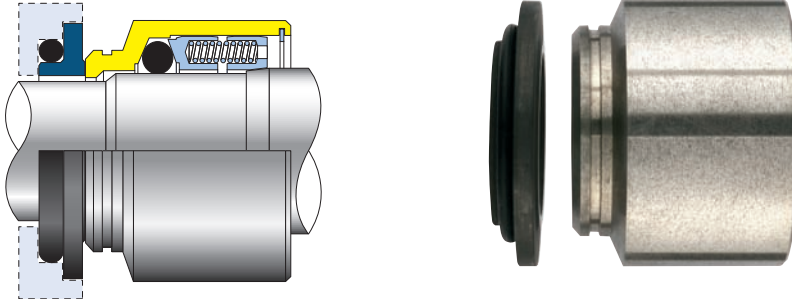
Seal to suit Sabroe SMC 4-65, 6-65, 8-65 and 10-65 (Mk1) Compressors

SSAB



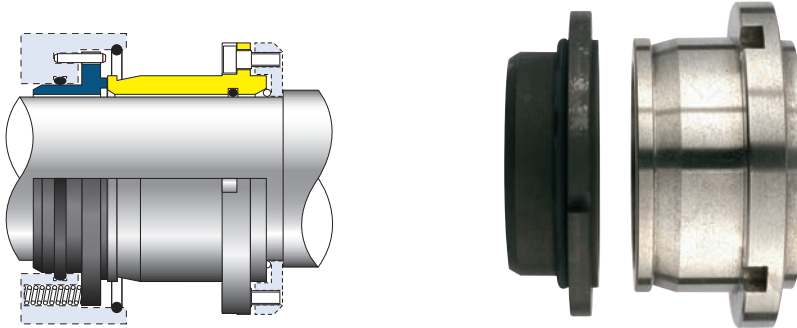
Seal to suit Sabroe CMO 14, 16 and 18 (Mk1) Compressors

SSAB



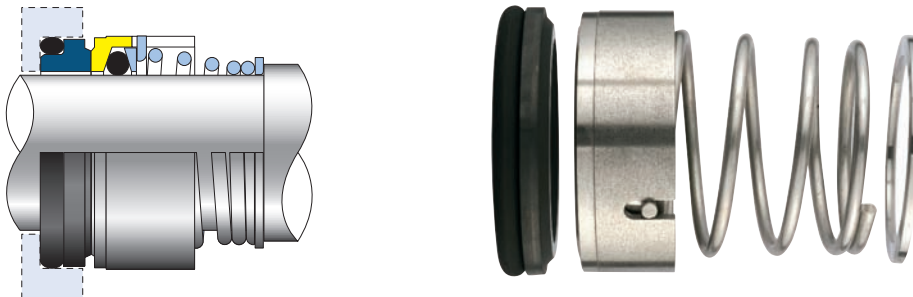
Seal to suit Sabroe CMO 24, 26 and 28 (Mk2) Compressors
HPO 24, 26 and 28 (Mk2) Compressors TCMO 24,26 and 28 (Mk2) Compressors

SSAB



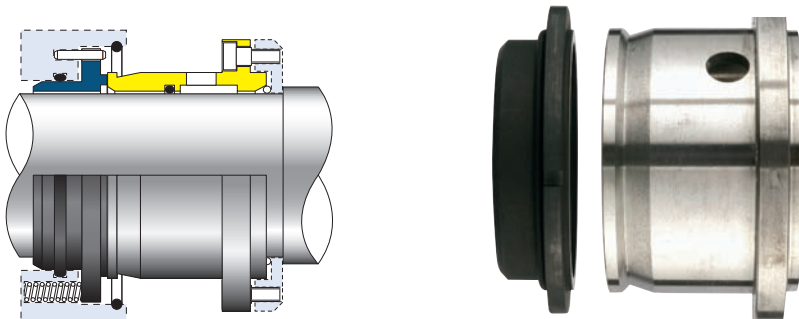
Seal to suit Sabroe SMC 4,6,8,12 and 16-100 (Mk1) Compressors
SMC 104,106,108,112 and 116(Mk2) Compressors
TSMC 8,16 - 100 (Mk1) and 108,116 (Mk2) Compressors

SSAB

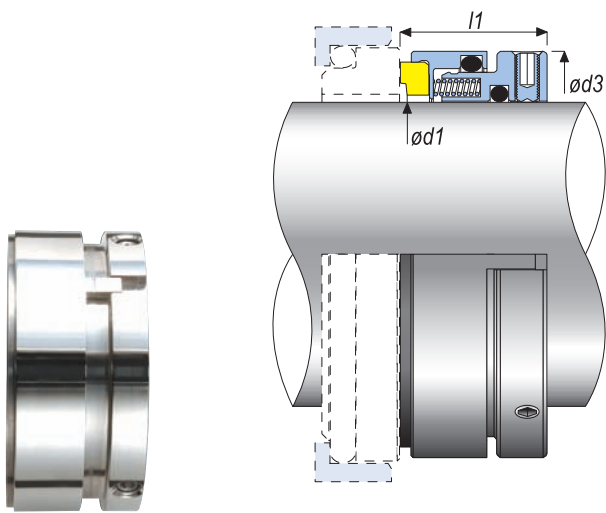


Seal to suit Sabroe HPC 104, 106 and 108 (Mk3 and 4) Compressors
SMC 104, 106, 108 112 and 116 (Mk3 and 4) Compressors
TCMC 108 and 116 (Mk3 and 4) Compressors

SSAB

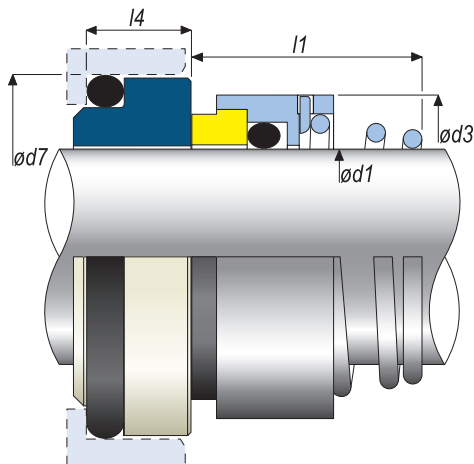


299S



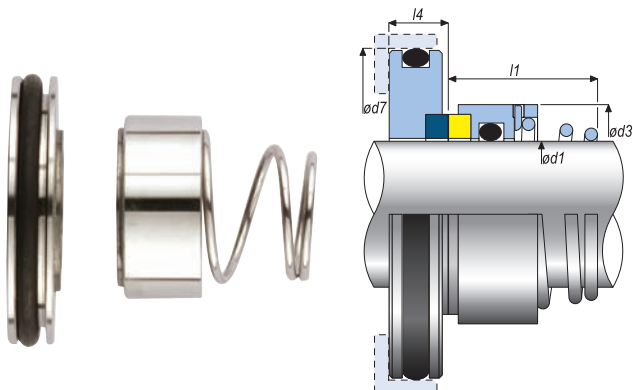
d1		d3		l1	
Metric	Inches	Metric	Inches	Metric	Inches
20.0	0.787	36.0	1.417	20.0	0.787
22.0	0.866	38.0	1.496	20.0	0.787
24.0	0.945	40.0	1.575	22.0	0.866
25.0	0.984	41.0	1.614	23.0	0.906
28.0	1.102	44.0	1.732	23.0	0.906
30.0	1.181	46.0	1.811	24.0	0.945
32.0	1.260	48.0	1.890	24.0	0.945
33.0	1.299	49.0	1.929	24.0	0.945
35.0	1.378	51.0	2.008	24.0	0.945
38.0	1.496	58.0	2.283	27.0	1.063
40.0	1.575	60.0	2.362	28.0	1.102
43.0	1.693	63.0	2.480	28.0	1.102
45.0	1.772	65.0	2.559	28.0	1.102
48.0	1.890	68.0	2.677	28.0	1.102
50.0	1.969	70.0	2.756	27.0	1.063
53.0	2.087	73.0	2.874	27.0	1.063
55.0	2.165	75.0	2.953	27.0	1.063
58.0	2.283	83.0	3.268	29.0	1.142
60.0	2.362	85.0	3.346	29.0	1.142
63.0	2.480	88.0	3.465	32.0	1.260
65.0	2.559	90.0	3.543	32.0	1.260
68.0	2.677	93.0	3.661	32.0	1.260
70.0	2.756	95.0	3.740	32.0	1.260
75.0	2.953	104.0	4.094	32.0	1.260
80.0	3.150	109.0	4.291	32.0	1.260
85.0	3.346	114.0	4.488	32.0	1.260
90.0	3.543	119.0	4.685	38.0	1.496
95.0	3.740	124.0	4.882	38.0	1.496
100.0	3.937	129.0	5.079	38.0	1.496

SM32



d1		d3		d7		l1		l4	
Metric	Inches	Metric	Inches	Metric	Inches	Metric	Inches	Metric	Inches
10.0	0.394	19.0	0.748	19.2	0.756	16.9	0.665	6.6	0.260
12.0	0.472	21.0	0.827	21.6	0.850	17.4	0.685	5.6	0.220
14.0	0.551	23.0	0.906	24.6	0.969	17.4	0.685	5.6	0.220
15.0	0.591	24.0	0.945	24.6	0.969	17.4	0.685	6.6	0.260
16.0	0.630	26.0	1.024	28.0	1.102	19.5	0.768	7.5	0.295
18.0	0.709	29.0	1.142	30.0	1.181	20.5	0.807	8.0	0.315
19.0	0.748	31.0	1.220	31.0	1.220	22.0	0.866	7.5	0.295
20.0	0.787	31.0	1.220	35.0	1.378	22.0	0.866	7.5	0.295
22.0	0.866	33.0	1.299	35.0	1.378	23.5	0.925	7.5	0.295
24.0	0.945	35.0	1.378	38.0	1.496	25.0	0.984	7.5	0.295
25.0	0.984	36.0	1.417	38.0	1.496	26.5	1.043	7.5	0.295
26.0	1.024	36.0	1.417	40.0	1.575	26.5	1.043	8.0	0.315
28.0	1.102	40.0	1.575	42.0	1.654	26.5	1.043	9.0	0.354
30.0	1.181	43.0	1.693	45.0	1.772	25.0	0.984	10.5	0.413
32.0	1.260	46.0	1.811	48.0	1.890	28.5	1.122	10.5	0.413
33.0	1.299	46.0	1.811	50.0	1.969	28.5	1.122	10.5	0.413
35.0	1.378	49.0	1.929	52.0	2.047	28.5	1.122	11.0	0.433
38.0	1.496	53.0	2.087	55.0	2.165	32.2	1.268	10.3	0.406
40.0	1.575	56.0	2.205	58.0	2.283	34.7	1.366	10.8	0.425
42.0	1.654	59.0	2.323	62.0	2.441	37.3	1.469	12.0	0.472
43.0	1.693	59.0	2.323	62.0	2.441	37.3	1.469	12.0	0.472
45.0	1.772	61.0	2.402	64.0	2.520	39.2	1.543	11.6	0.457
48.0	1.890	64.0	2.520	68.4	2.693	44.7	1.760	11.6	0.457
50.0	1.969	66.0	2.598	69.3	2.728	45.7	1.799	11.6	0.457
55.0	2.165	71.0	2.795	75.4	2.969	49.0	1.929	13.3	0.524
58.0	2.283	76.0	2.992	78.4	3.087	52.0	2.047	13.3	0.524
60.0	2.362	78.0	3.071	80.4	3.165	53.0	2.087	13.3	0.524
65.0	2.559	84.0	3.307	85.4	3.362	54.3	2.138	13.0	0.512
68.0	2.677	87.0	3.425	91.5	3.602	55.3	2.177	13.7	0.539
70.0	2.756	89.8	3.533	92.0	3.622	56.3	2.217	13.0	0.512
75.0	2.953	98.0	3.858	99.0	3.898	56.3	2.217	14.0	0.551
80.0	3.150	100.0	3.937	104.0	4.094	59.3	2.335	15.0	0.591

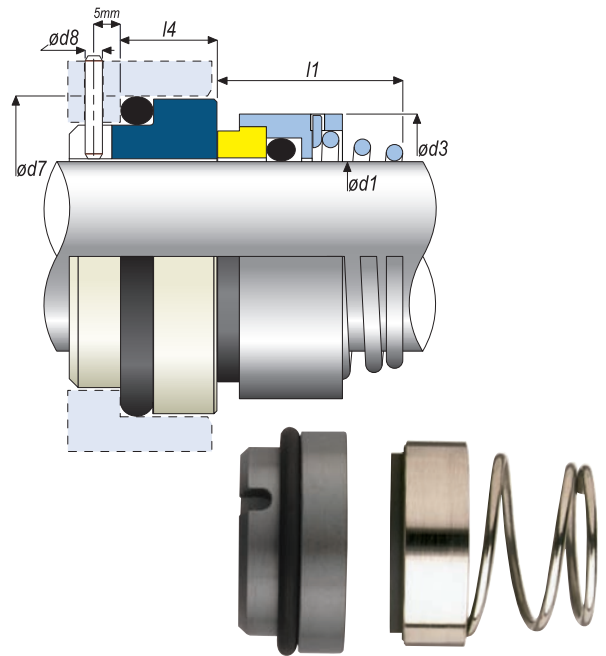
SM32A



d1		d3		d7		l1		l4	
Metric	Inches	Metric	Inches	Metric	Inches	Metric	Inches	Metric	Inches
15.0	0.591	24.0	0.945	38.0	1.496	15.0	0.591	8.0	0.315
20.0	0.787	31.0	1.220	45.0	1.772	19.5	0.768	8.5	0.335

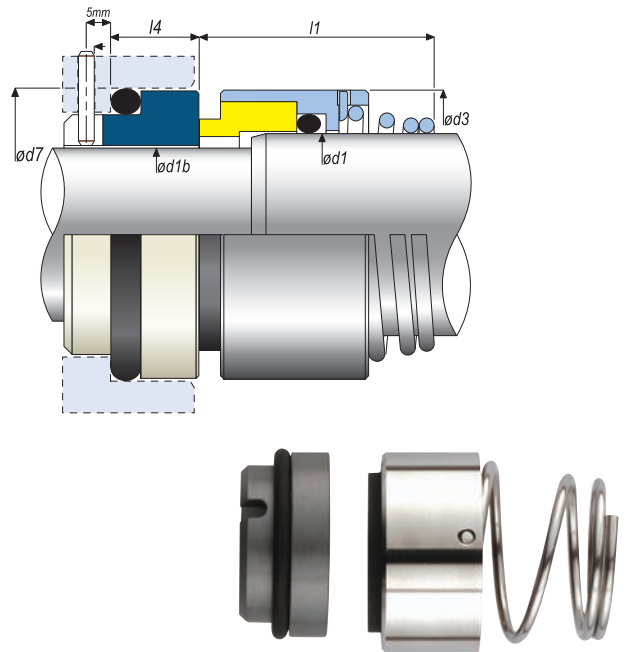
SM32N

d1	d3	d7	d8	I1	I4
Metric	Inches	Metric	Inches	Metric	Inches
10.0	0.394	19.0	0.748	21.0	0.827
12.0	0.472	20.0	0.787	23.0	0.906
14.0	0.551	23.0	0.906	25.0	0.984
16.0	0.630	26.0	1.024	27.0	1.064
18.0	0.709	29.0	1.142	30.0	1.118
20.0	0.787	31.0	1.220	33.0	1.299
22.0	0.866	33.0	1.299	35.0	1.378
24.0	0.945	35.0	1.378	37.0	1.457
25.0	0.984	36.0	1.417	39.0	1.535
28.0	1.102	40.0	1.575	40.0	1.575
30.0	1.181	43.0	1.693	43.0	1.693
32.0	1.260	46.0	1.811	48.0	1.890
33.0	1.299	46.0	1.811	48.0	1.890
35.0	1.378	49.0	1.929	50.0	1.969
38.0	1.496	53.0	2.087	56.0	2.205
40.0	1.575	56.0	2.205	58.0	2.283
43.0	1.693	59.0	2.323	61.0	2.402
45.0	1.772	61.0	2.402	63.0	2.480
48.0	1.890	64.0	2.520	66.0	2.598
50.0	1.969	66.0	2.598	70.0	2.756
53.0	2.087	69.0	2.717	73.0	2.874
55.0	2.165	71.0	2.795	75.0	2.953
58.0	2.283	76.0	2.992	78.0	3.071
60.0	2.362	78.0	3.071	80.0	3.150
65.0	2.559	84.0	3.307	85.0	3.346
68.0	2.677	88.0	3.465	90.0	3.543
70.0	2.756	90.0	3.543	92.0	3.622
75.0	2.953	98.0	3.858	97.0	3.819
80.0	3.150	100.0	3.937	105.0	4.134



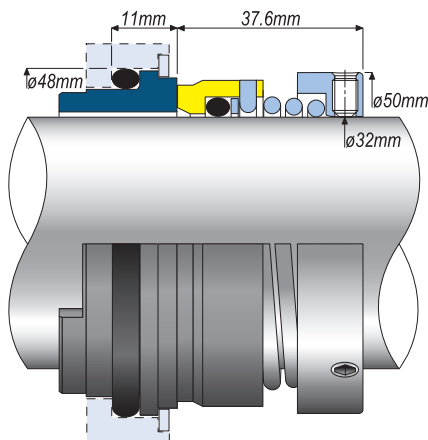
SM32NB

d1	d1b DIN SEAL SIZE	d3	d7	I1	I4
Metric	Inches	Metric	Inches	Metric	Inches
14.0	0.551	10.0	0.394	23.0	0.906
16.0	0.630	12.0	0.472	26.0	1.024
18.0	0.709	14.0	0.551	29.0	1.142
20.0	0.787	16.0	0.630	31.0	1.220
22.0	0.866	18.0	0.709	33.0	1.299
24.0	0.945	20.0	0.787	35.0	1.378
28.0	1.102	24.0	0.945	39.0	1.535
30.0	1.181	25.0	0.984	40.0	1.575
33.0	1.299	28.0	1.102	43.0	1.693
35.0	1.378	30.0	1.181	45.0	1.772
38.0	1.496	33.0	1.299	48.0	1.890
40.0	1.575	35.0	1.378	50.0	1.969
43.0	1.693	38.0	1.496	56.0	2.205
45.0	1.772	40.0	1.575	58.0	2.283
48.0	1.890	43.0	1.693	61.0	2.402
50.0	1.969	45.0	1.772	63.0	2.480
53.0	2.087	48.0	1.890	66.0	2.598
55.0	2.165	50.0	1.969	70.0	2.756
58.0	2.283	53.0	2.087	73.0	2.874
60.0	2.362	55.0	2.165	75.0	2.953
65.0	2.559	60.0	2.362	80.0	3.150
68.0	2.677	63.0	2.480	83.0	3.268
70.0	2.756	65.0	2.559	85.0	3.346
75.0	2.953	70.0	2.756	90.0	3.543
80.0	3.150	75.0	2.953	97.0	3.819

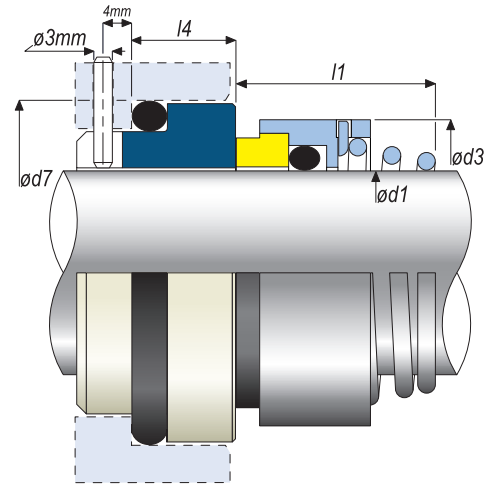


Lower seal to suit Sarlin Pump

SM32SA



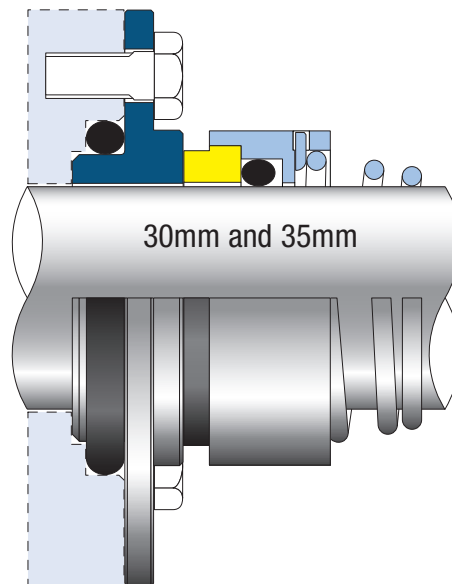
SM32/SL



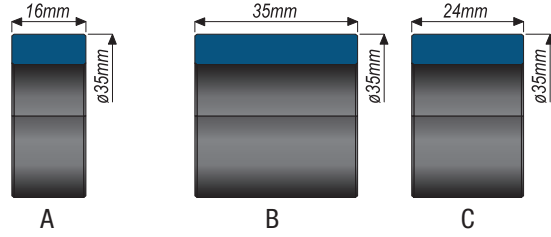
d1		d3		d7		l1		l4	
Metric	Inches	Metric	Inches	Metric	Inches	Metric	Inches	Metric	Inches
10.0	0.394	19.0	0.748	19.2	0.756	16.9	0.665	5.6	0.220
12.0	0.473	21.0	0.827	21.6	0.850	17.4	0.685	5.6	0.220
14.0	0.551	23.0	0.906	24.6	0.969	17.4	0.685	6.6	0.260
15.0	0.591	24.0	0.945	24.6	0.969	17.4	0.685	6.6	0.260
16.0	0.630	26.0	1.024	28.0	1.102	19.5	0.768	7.0	0.276
18.0	0.709	29.0	1.142	30.0	1.181	20.5	0.807	8.0	0.315
19.0	0.748	31.0	1.220	35.0	1.378	22.0	0.866	7.5	0.295
20.0	0.787	31.0	1.220	35.0	1.378	22.0	0.866	7.5	0.295
22.0	0.866	33.0	1.299	35.0	1.378	23.5	0.925	7.5	0.295
24.0	0.945	35.0	1.378	38.0	1.496	25.0	0.984	7.5	0.295
25.0	0.984	36.0	1.417	38.0	1.496	26.5	1.043	7.5	0.295
26.0	1.024	36.0	1.417	38.0	1.496	26.5	1.043	7.5	0.295
28.0	1.102	40.0	1.575	42.0	1.654	26.5	1.043	9.0	0.354
30.0	1.181	43.0	1.693	45.0	1.772	25.0	0.984	10.5	0.413
32.0	1.260	46.0	1.811	48.0	1.890	28.5	1.122	10.5	0.413
35.0	1.378	49.0	1.929	52.0	2.047	28.5	1.122	11.0	0.433
38.0	1.496	53.0	2.087	55.0	2.165	32.2	1.268	10.3	0.406
40.0	1.575	56.0	2.205	58.0	2.283	34.7	1.366	10.8	0.425
42.0	1.654	59.0	2.323	62.0	2.441	37.3	1.469	12.2	0.480
45.0	1.772	61.0	2.402	64.0	2.520	39.2	1.543	11.8	0.465
48.0	1.890	64.0	2.520	68.4	2.693	44.7	1.760	11.8	0.465
50.0	1.969	66.0	2.598	69.3	2.728	45.7	1.799	11.8	0.465
55.0	2.165	71.0	2.795	75.4	2.969	49.0	1.929	13.5	0.531
58.0	2.283	76.0	2.992	78.4	3.087	52.0	2.047	13.5	0.531
60.0	2.362	78.0	3.071	80.4	3.165	53.0	2.087	13.5	0.531
65.0	2.559	84.0	3.307	85.4	3.362	54.3	2.138	13.2	0.520
68.0	2.677	87.0	3.425	91.5	3.602	55.3	2.177	13.7	0.539
70.0	2.756	89.8	3.533	92.0	3.622	56.3	2.217	13.2	0.520
75.0	2.953	98.0	3.858	99.0	3.898	56.3	2.217	14.2	0.559
80.0	3.150	100.0	3.937	104.0	4.094	59.3	2.335	15.2	0.598

SM32X

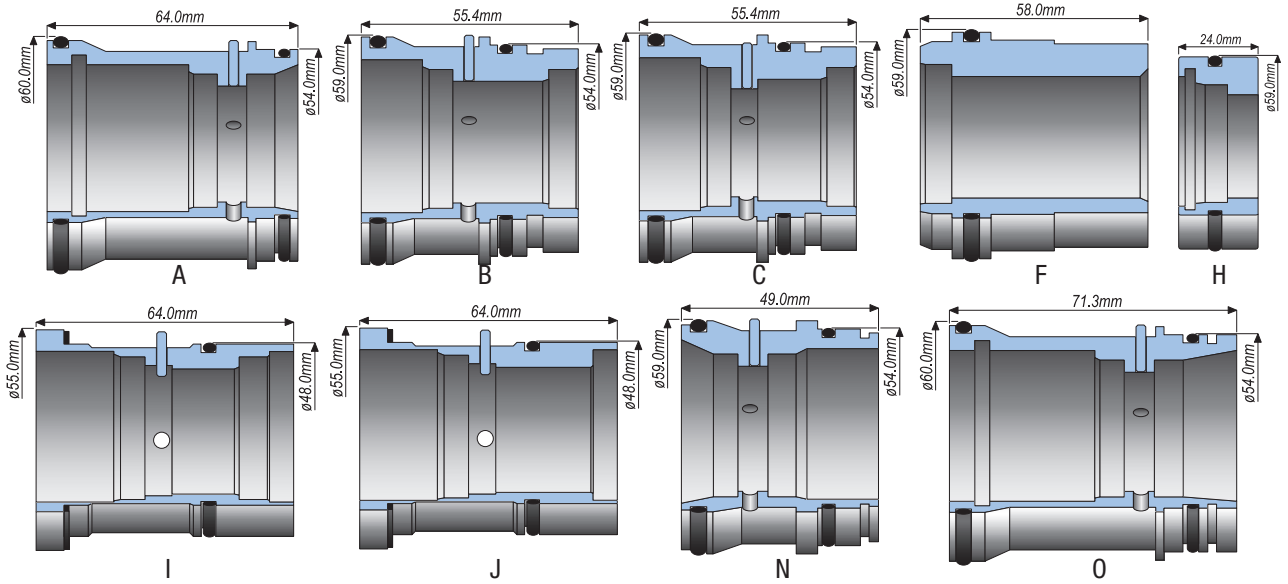
Seal to suit Anema ZA Pumps



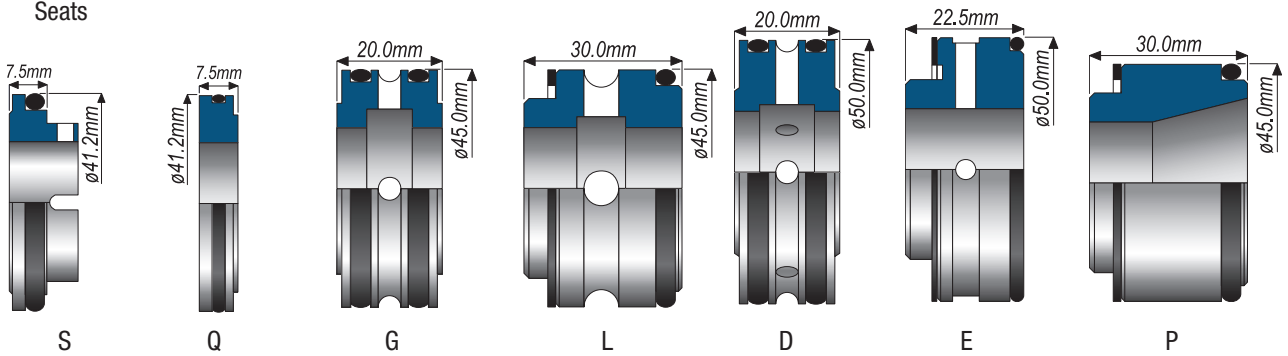
Carbon Bushes



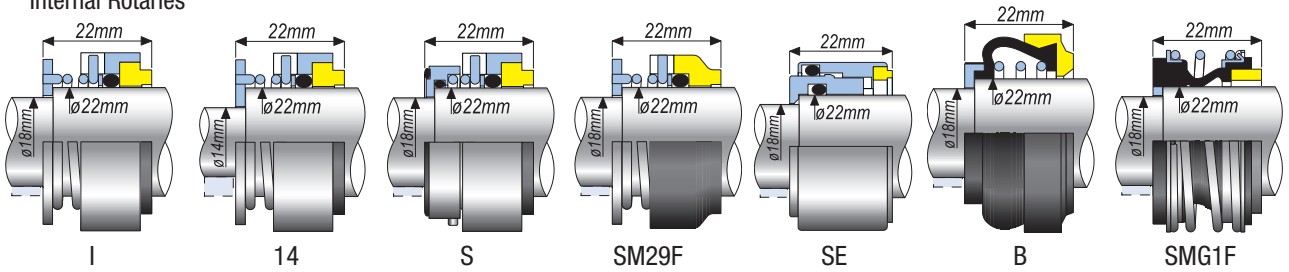
Housings/Glands



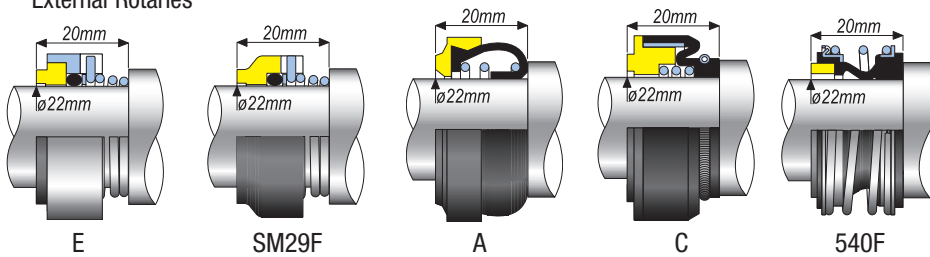
Seats



Internal Rotaries

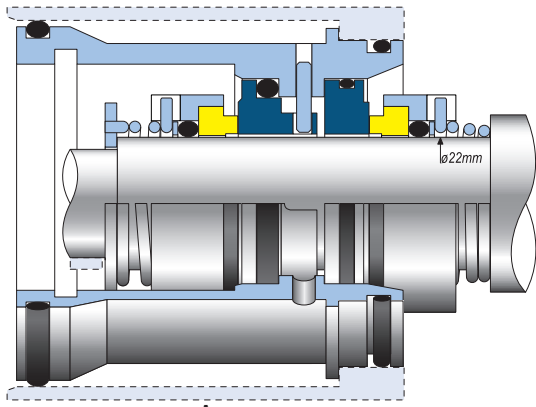


External Rotaries

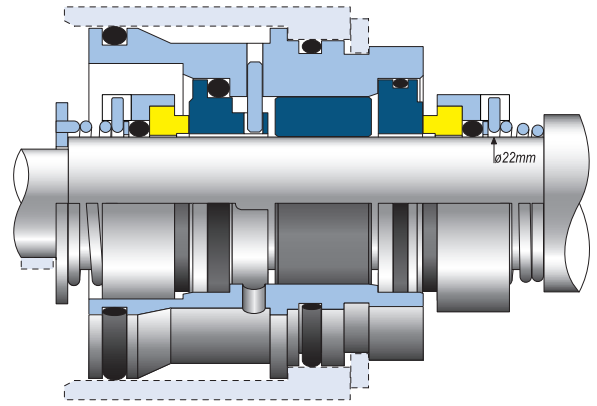


SF (22mm)

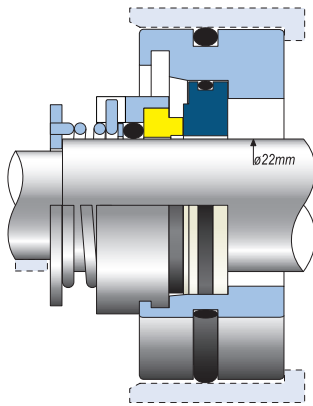
22mm SF Seal arrangements to suit Fristam Pumps



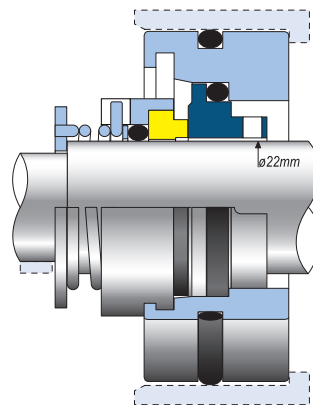
A



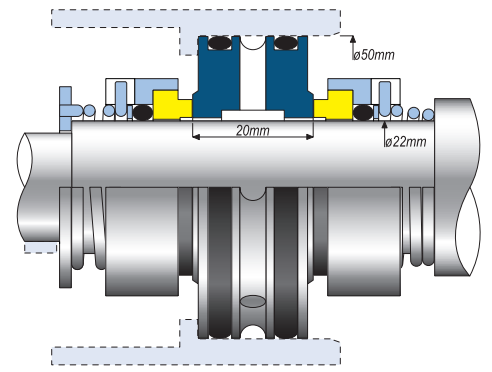
B



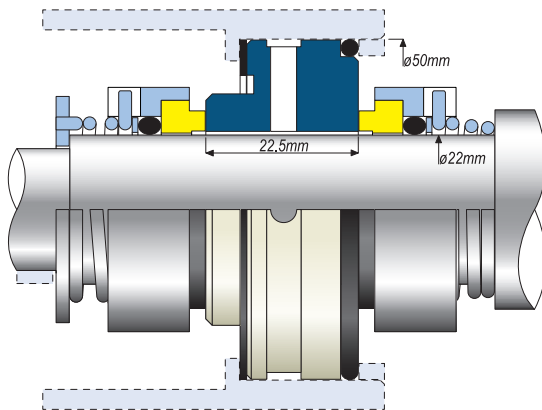
E



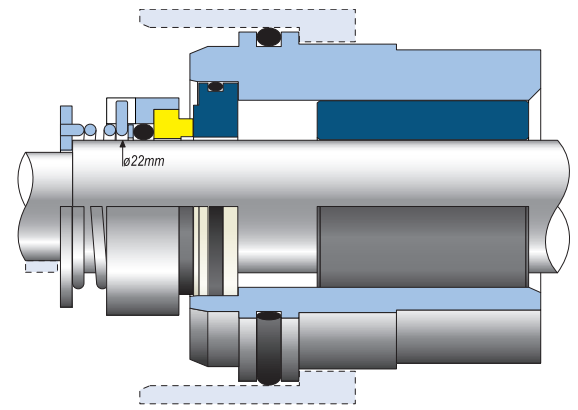
F



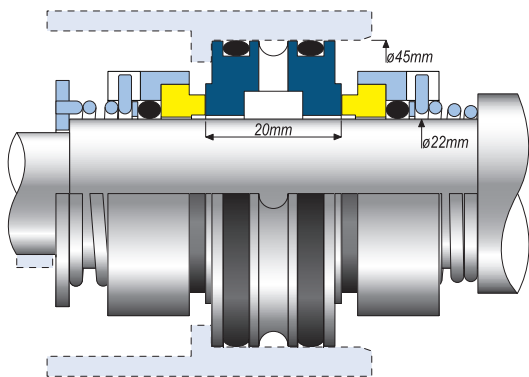
G



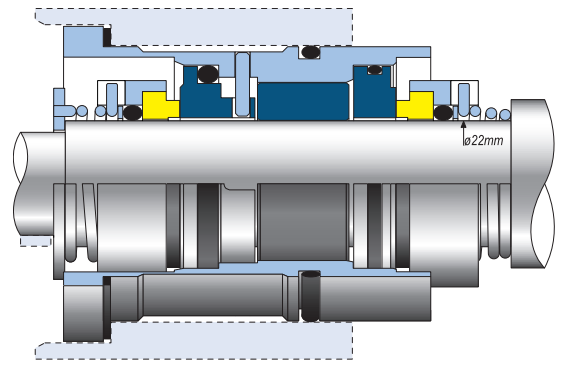
H



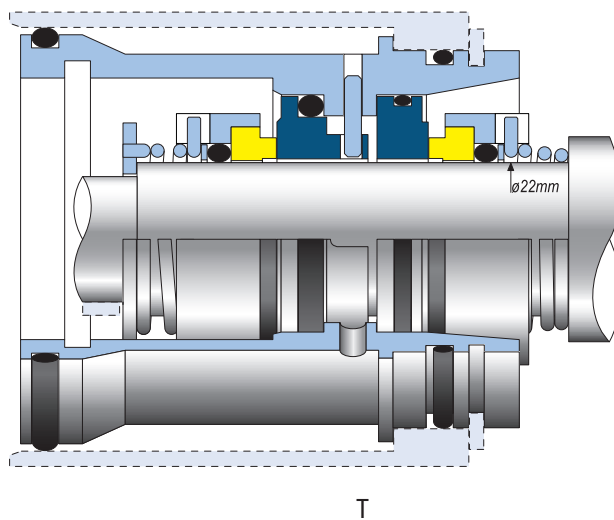
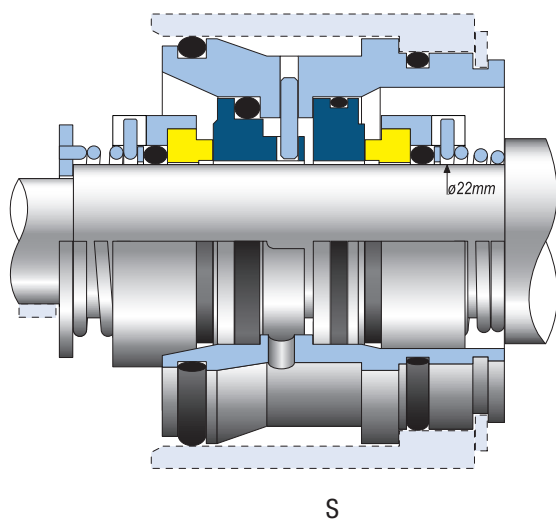
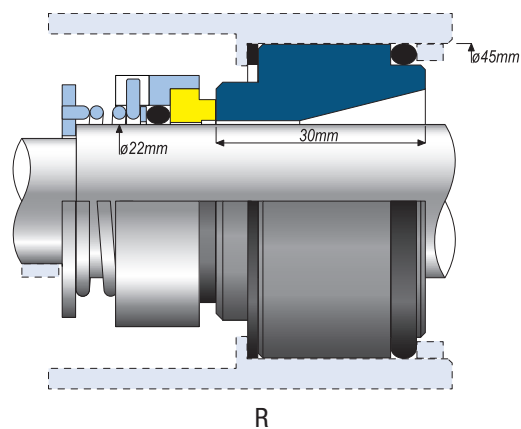
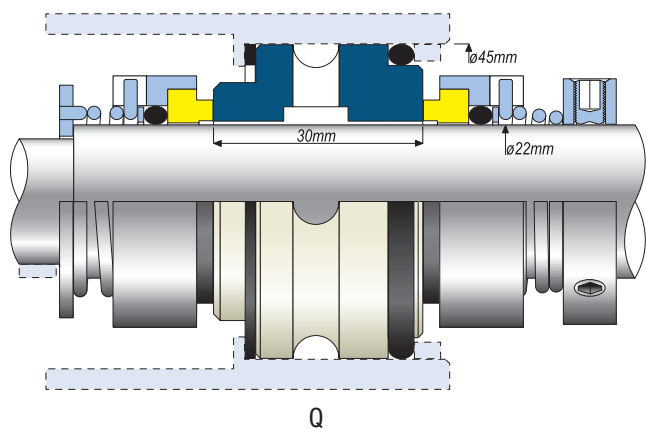
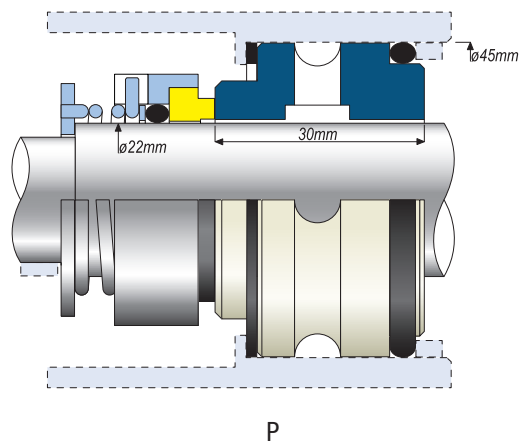
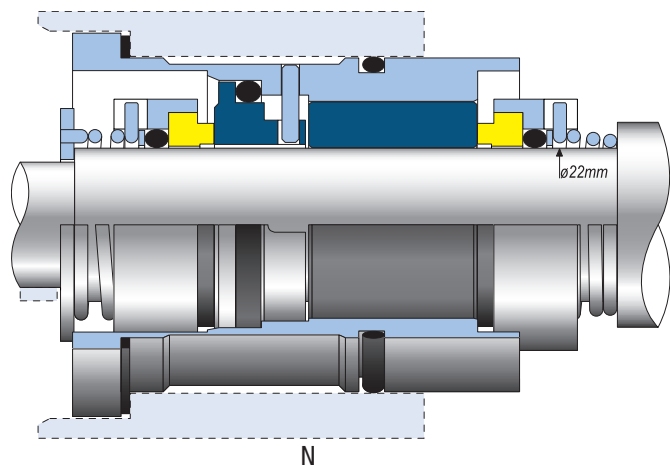
I



J



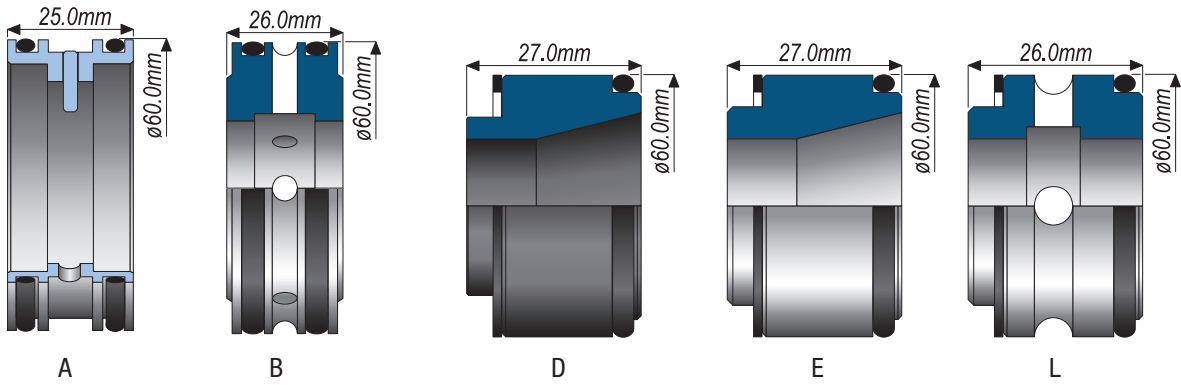
M



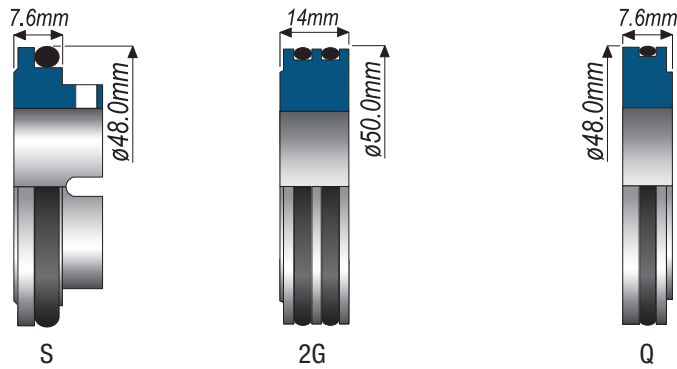
SF (30mm)

30mm SF parts to suit Fristam Pumps

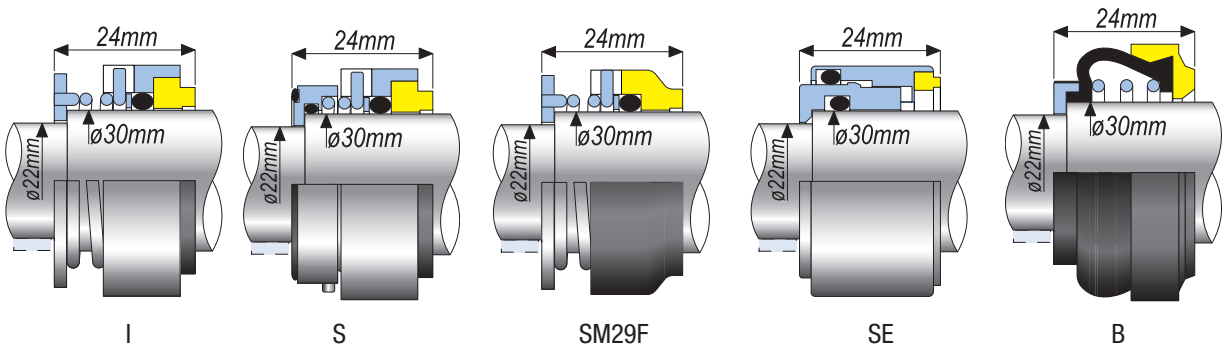
Housings/Seats



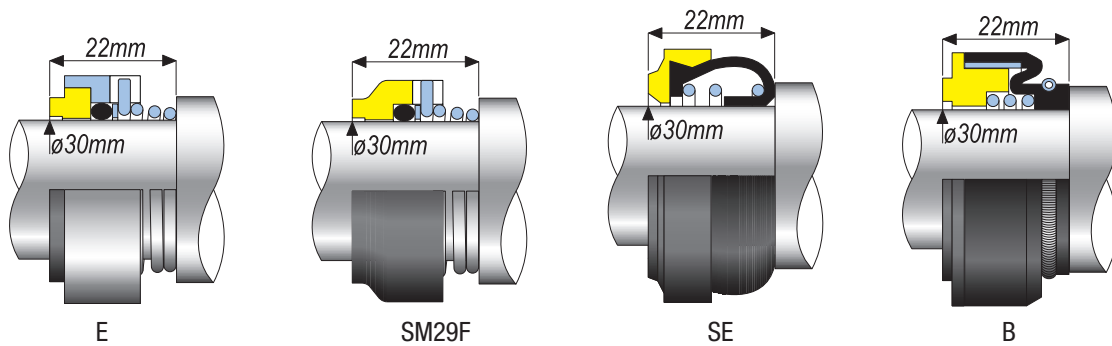
Seats

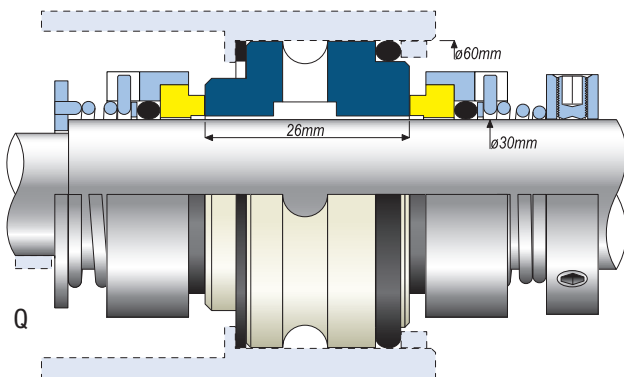
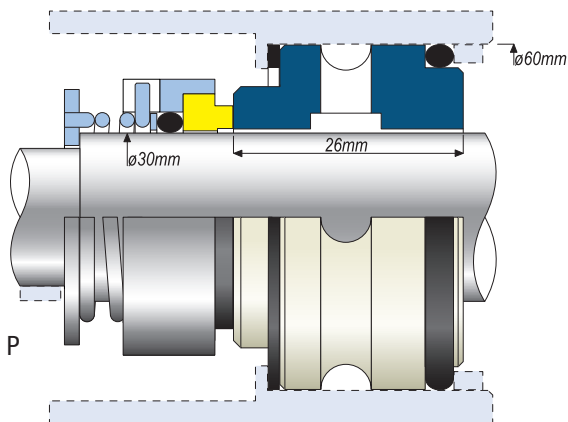
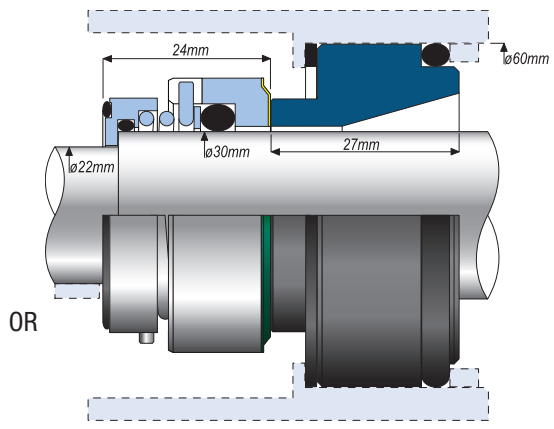
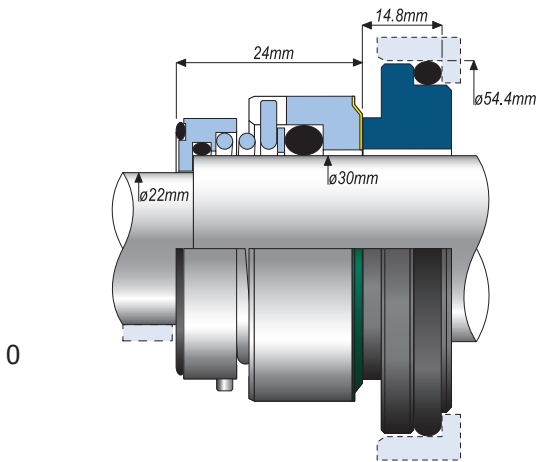
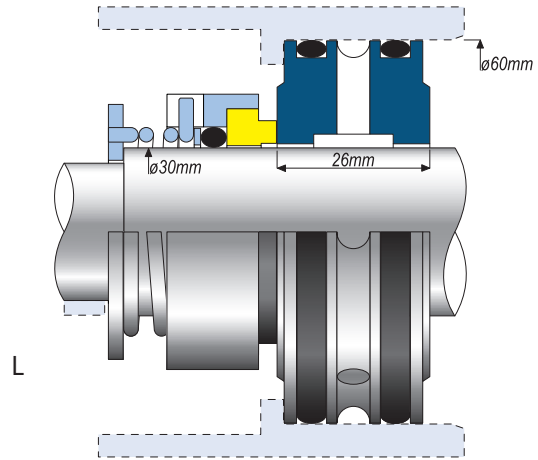
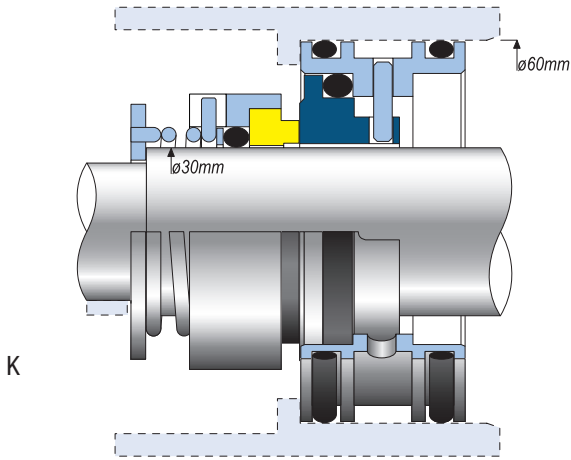
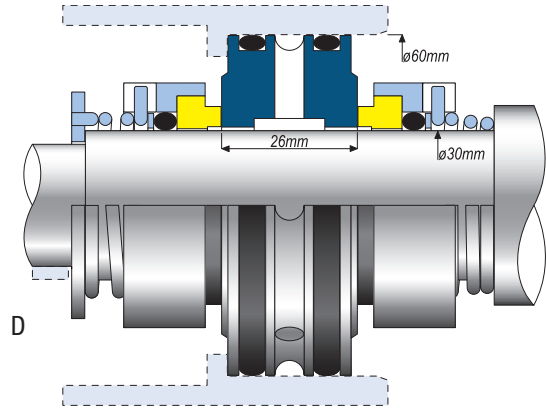
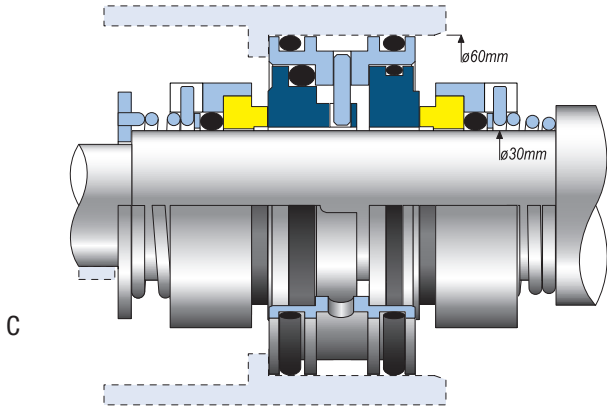


Internal Rotaries



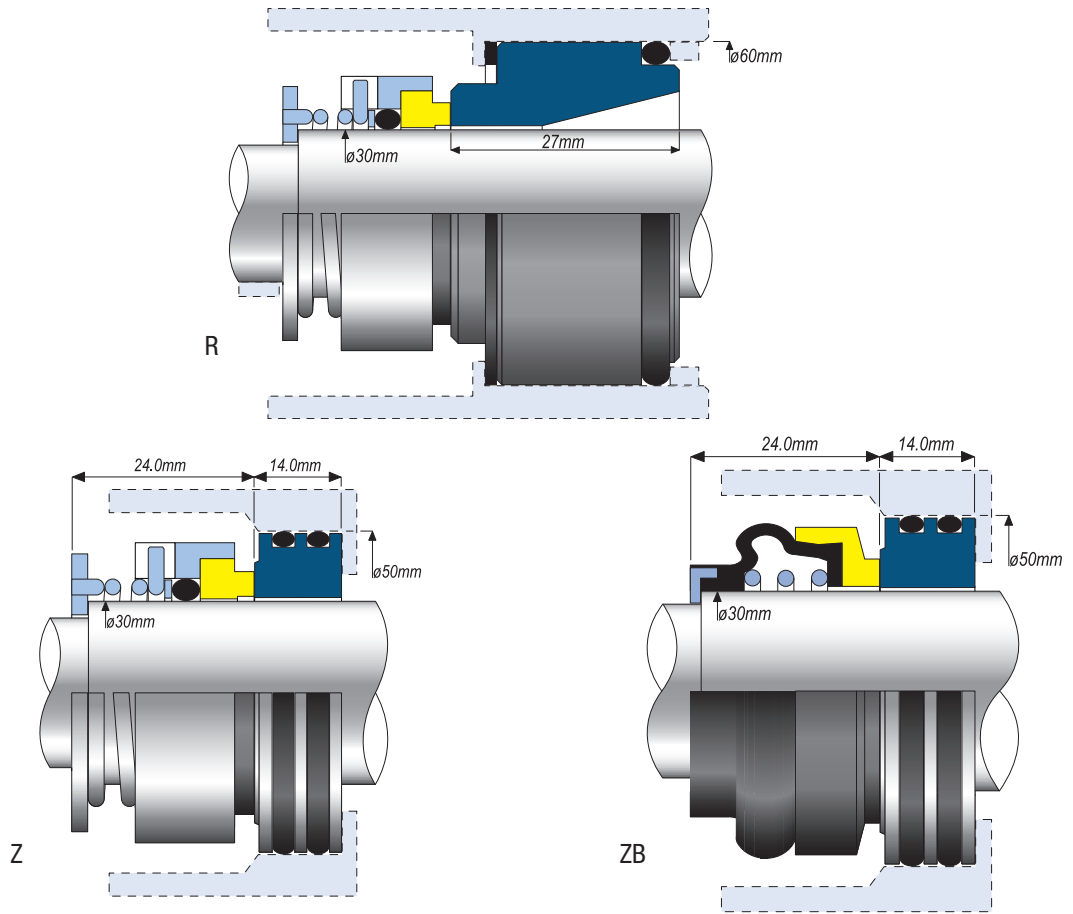
External Rotaries





SF (30mm)

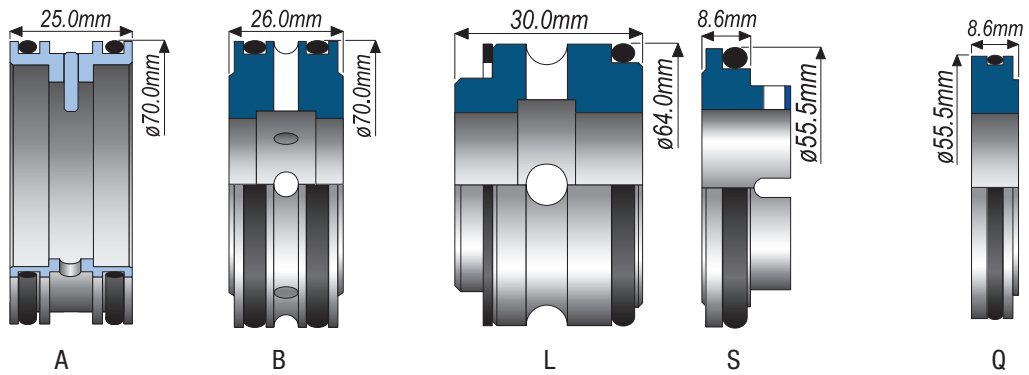
30mm SF Seal arrangements to suit Fristam Pumps



35mm SF parts to suit Fristam Pumps

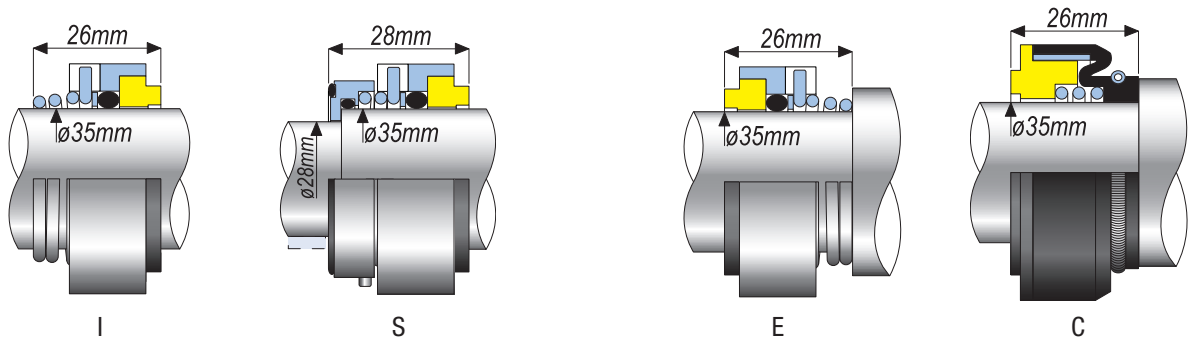
SF (35mm)

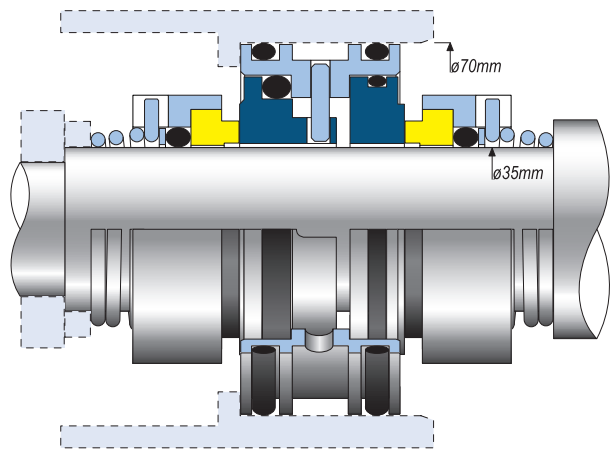
Housings/Seats



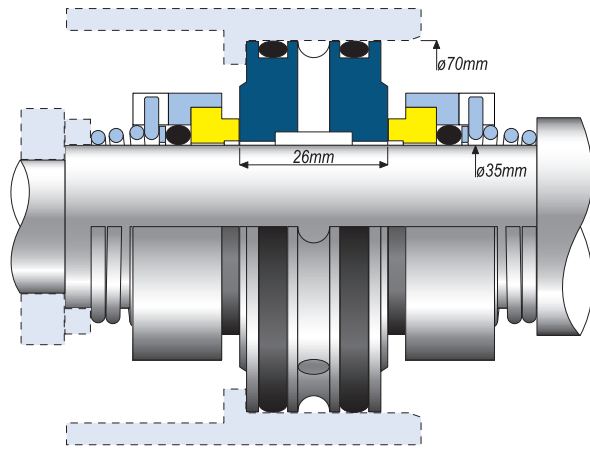
Internal Rotaries

External Rotaries

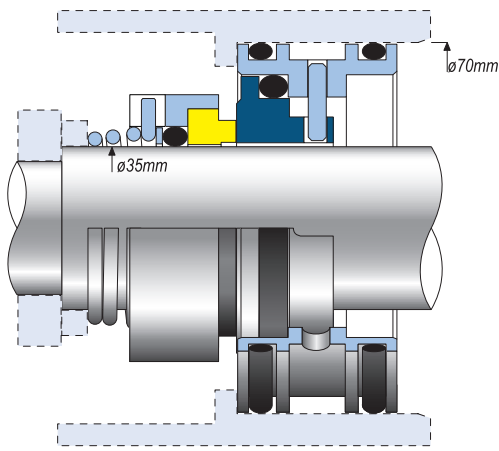




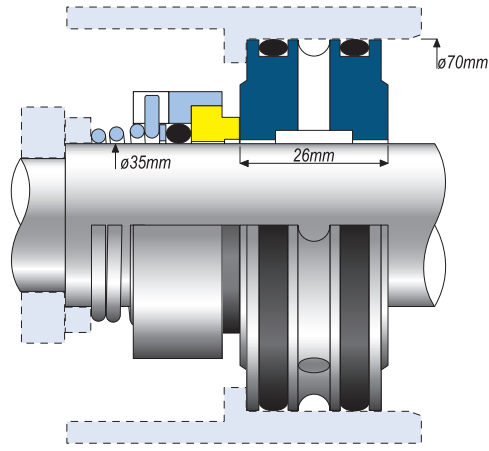
C



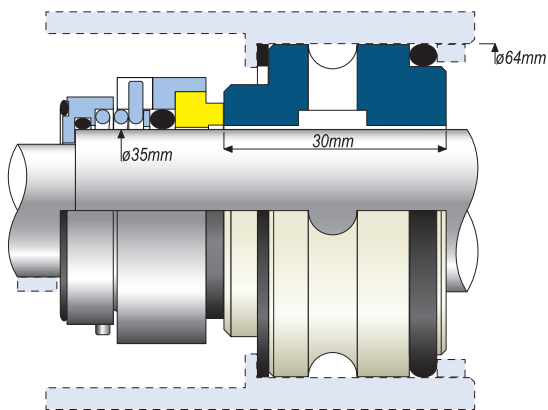
D



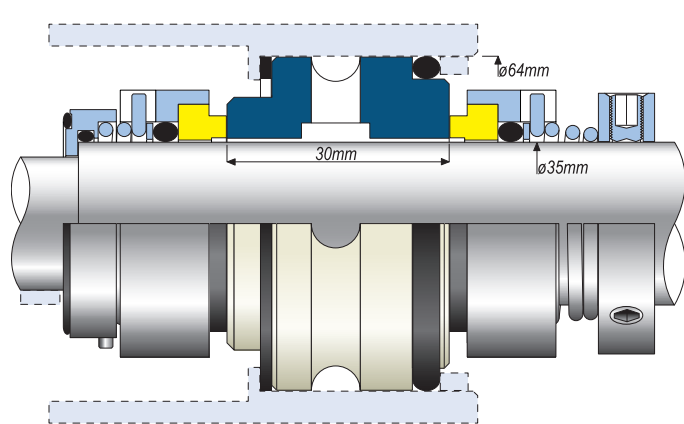
K



L

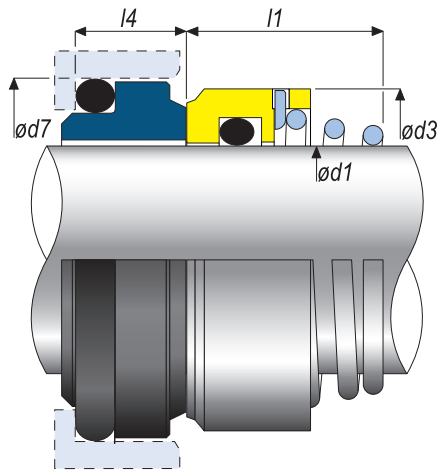


S

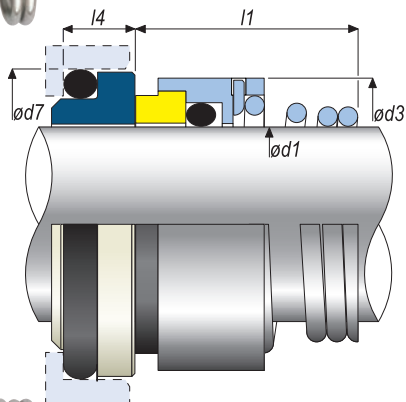
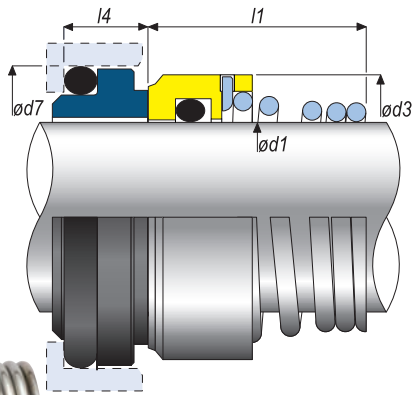


Q

SM3



SR2

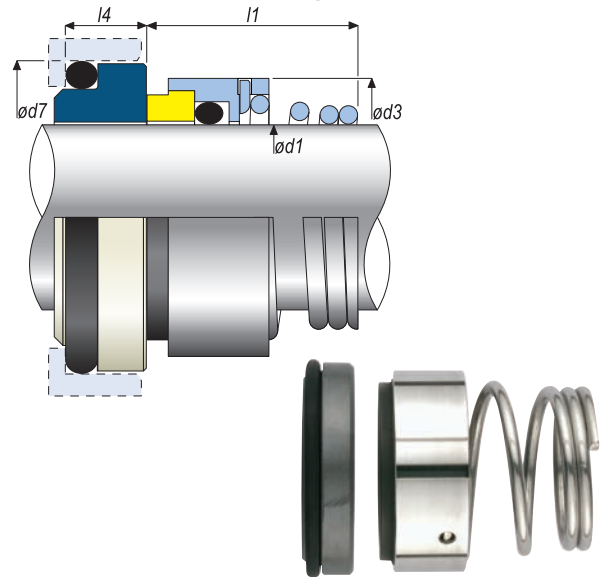
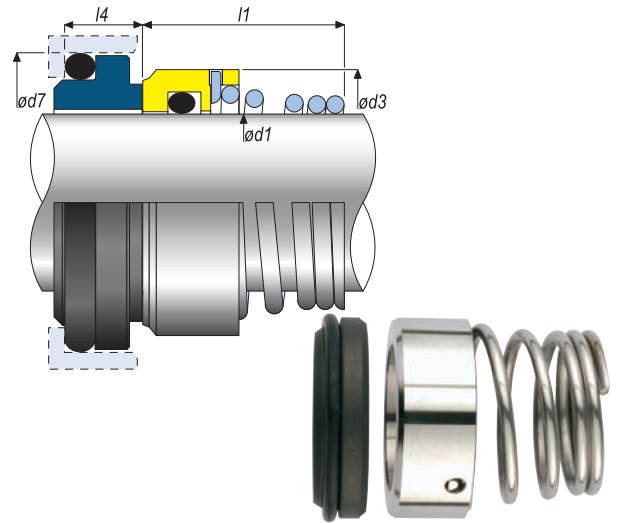


d1		d3		d7		l1		l4	
Metric	Inches	Metric	Inches	Metric	Inches	Metric	Inches	Metric	Inches
10.0	0.394	19.0	0.748	19.2	0.756	15.5	0.610	7.1	0.280
12.0	0.472	20.0	0.787	21.6	0.850	15.5	0.610	7.6	0.299
14.0	0.551	23.0	0.906	24.6	0.969	15.5	0.610	7.6	0.299
15.0	0.591	24.0	0.945	24.6	0.969	15.5	0.610	8.6	0.339
16.0	0.630	26.0	1.024	28.0	1.102	17.5	0.689	9.0	0.354
18.0	0.709	29.0	1.142	30.0	1.181	18.5	0.728	10.0	0.394
19.0	0.748	31.0	1.220	31.0	1.220	20.0	0.787	9.0	0.354
20.0	0.787	31.0	1.220	35.0	1.378	20.0	0.787	9.5	0.374
22.0	0.866	33.0	1.299	35.0	1.378	21.5	0.846	9.5	0.374
24.0	0.945	35.0	1.378	38.0	1.496	23.0	0.906	9.5	0.374
25.0	0.984	36.0	1.417	38.0	1.496	24.5	0.965	9.5	0.374
26.0	1.024	36.0	1.417	40.0	1.575	24.5	0.965	10.0	0.394
28.0	1.102	40.0	1.575	42.0	1.654	24.5	0.965	11.0	0.433
30.0	1.181	43.0	1.693	45.0	1.772	24.5	0.965	11.0	0.433
32.0	1.260	46.0	1.811	48.0	1.890	28.0	1.102	11.0	0.433
35.0	1.378	49.0	1.929	52.0	2.047	28.0	1.102	11.5	0.453
38.0	1.496	53.0	2.087	55.0	2.165	31.0	1.220	11.5	0.453
40.0	1.575	56.0	2.205	58.0	2.283	34.0	1.339	11.5	0.453
42.0	1.654	59.0	2.323	62.0	2.441	35.0	1.378	14.3	0.563
43.0	1.693	59.0	2.323	63.0	2.480	35.0	1.378	14.3	0.563
45.0	1.772	61.0	2.402	64.0	2.520	36.5	1.437	14.3	0.563
48.0	1.890	64.0	2.520	68.4	2.693	42.0	1.654	14.3	0.563
50.0	1.969	66.0	2.598	69.3	2.728	43.0	1.693	14.3	0.563
55.0	2.165	71.0	2.795	75.4	2.969	47.0	1.850	15.3	0.602
58.0	2.283	76.0	2.992	78.4	3.087	50.0	1.969	15.3	0.602
60.0	2.362	78.0	3.071	80.4	3.165	51.0	2.008	15.3	0.602
65.0	2.559	84.0	3.307	85.4	3.362	52.0	2.047	15.3	0.602
68.0	2.677	87.0	3.425	91.5	3.602	53.0	2.087	16.0	0.630
70.0	2.756	90.0	3.543	92.0	3.622	54.0	2.126	15.3	0.602
75.0	2.953	98.0	3.858	99.0	3.898	55.0	2.165	15.3	0.602
80.0	3.150	100.0	3.937	104.0	4.094	58.0	2.283	16.3	0.642

d1		d3		d7		l1		l4	
Metric	Inches	Metric	Inches	Metric	Inches	Metric	Inches	Metric	Inches
10.0	0.394	19.0	0.748	18.1	0.713	15.0	0.591	5.5	0.217
11.0	0.433	20.0	0.787	20.6	0.811	18.0	0.709	5.5	0.217
12.0	0.472	21.0	0.827	20.6	0.811	18.0	0.709	5.5	0.217
13.0	0.512	23.0	0.906	23.1	0.909	22.0	0.866	6.0	0.236
14.0	0.551	23.0	0.906	23.1	0.909	22.0	0.866	6.0	0.236
15.0	0.591	24.0	0.945	26.9	1.059	22.0	0.866	7.0	0.276
16.0	0.630	26.0	1.024	26.9	1.059	23.0	0.906	7.0	0.276
18.0	0.709	29.0	1.142	30.9	1.217	24.0	0.945	8.0	0.315
19.0	0.748	31.0	1.220	30.9	1.217	25.0	0.984	8.0	0.315
20.0	0.787	31.0	1.220	30.9	1.217	25.0	0.984	8.0	0.315
21.0	0.827	33.0	1.299	35.4	1.394	25.0	0.984	8.0	0.315
22.0	0.866	33.0	1.299	35.4	1.394	25.0	0.984	8.0	0.315
23.0	0.906	35.0	1.378	35.4	1.394	27.0	1.063	8.0	0.315
24.0	0.945	35.0	1.378	35.4	1.394	27.0	1.063	8.0	0.315
25.0	0.984	36.0	1.417	38.2	1.504	27.0	1.063	8.5	0.335
26.0	1.024	36.0	1.417	38.2	1.504	27.0	1.063	8.5	0.335
28.0	1.102	40.0	1.575	43.3	1.705	29.0	1.142	9.0	0.354
30.0	1.181	43.0	1.693	43.3	1.705	30.0	1.181	9.0	0.354
32.0	1.260	46.0	1.811	43.3	1.705	30.0	1.181	9.0	0.354
33.0	1.299	46.0	1.811	53.5	2.106	39.0	1.535	11.5	0.453
34.0	1.339	49.0	1.929	53.5	2.106	39.0	1.535	11.5	0.453
35.0	1.378	49.0	1.929	53.5	2.106	39.0	1.535	11.5	0.453
36.0	1.417	49.0	1.929	53.5	2.106	39.0	1.535	11.5	0.453
38.0	1.496	53.0	2.087	60.5	2.382	39.0	1.535	11.5	0.453
38.0(B)	1.496	53.0	2.087	53.5	2.106	39.0	1.535	10.0	0.394
40.0	1.575	56.0	2.205	60.5	2.382	39.0	1.535	11.5	0.453
42.0	1.654	59.0	2.323	60.5	2.382	39.0	1.535	11.5	0.453
43.0	1.693	59.0	2.323	60.5	2.382	39.0	1.535	11.5	0.453
44.0	1.732	61.0	2.402	65.5	2.579	41.0	1.614	11.5	0.453
45.0	1.772	61.0	2.402	65.5	2.579	41.0	1.614	11.5	0.453
48.0	1.890	64.0	2.520	65.5	2.579	41.0	1.614	11.5	0.453
50.0	1.969	66.0	2.598	72.5	2.854	45.0	1.772	11.5	0.453
55.0	2.165	71.0	2.795	72.5	2.854	47.0	1.850	11.5	0.453
60.0	2.362	78.0	3.071	79.3	3.122	49.0	1.929	11.5	0.453
65.0	2.559	84.0	3.307	84.5	3.327	51.0	2.008	11.5	0.453
70.0	2.756	89.7	3.533	89.5	3.524	51.0	2.008	11.5	0.453
75.0	2.953	98.0	3.858	94.5	3.720	57.0	2.244	11.5	0.453
80.0	3.150	100.0	3.937	99.5	3.917	59.0	2.323	11.5	0.453
85.0	3.346	107.5	4.232	105.5	4.154	59.0	2.323	13.5	0.531
90.0	3.543	111.0	4.370	111.5	4.390	62.0	2.441	13.5	0.531
95.0	3.740	119.0	4.685	116.5	4.587	62.0	2.441	13.5	0.531
100.0	3.937	124.0	4.882	119.5	4.705	75.0	2.953	13.5	0.531

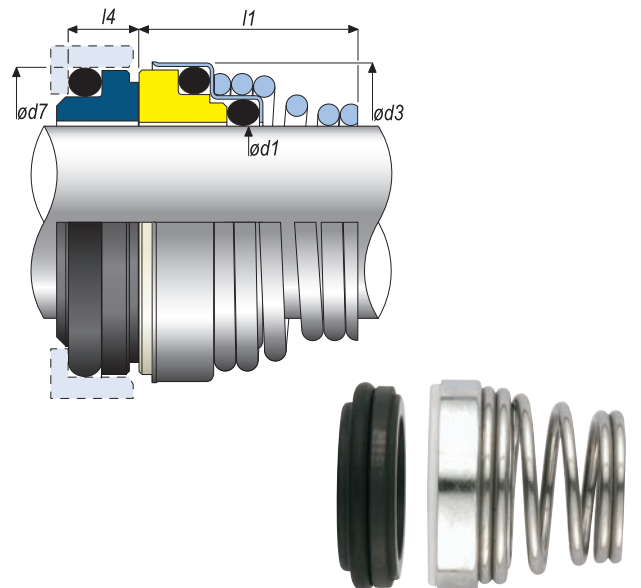
SU2

d1		d3		d7		l1		l4	
Metric	Inches	Metric	Inches	Metric	Inches	Metric	Inches	Metric	Inches
10.0	0.394	19.0	0.748	21.0	0.827	15.0	0.591	7.0	0.276
12.0	0.472	21.0	0.827	23.0	0.906	18.0	0.709	7.0	0.276
14.0	0.551	23.0	0.906	25.0	0.984	22.0	0.866	7.0	0.276
16.0	0.630	26.0	1.024	27.0	1.063	23.0	0.906	7.0	0.276
18.0	0.709	29.0	1.142	33.0	1.299	24.0	0.945	10.0	0.394
20.0	0.787	31.0	1.220	35.0	1.378	25.0	0.984	10.0	0.394
22.0	0.866	33.0	1.299	37.0	1.457	25.0	0.984	10.0	0.394
24.0	0.945	35.0	1.378	39.0	1.535	27.0	1.063	10.0	0.394
25.0	0.984	36.0	1.417	40.0	1.575	27.0	1.063	10.0	0.394
28.0	1.102	40.0	1.575	43.0	1.693	29.0	1.142	10.0	0.394
30.0	1.181	43.0	1.693	45.0	1.772	30.0	1.181	10.0	0.394
32.0	1.260	46.0	1.811	48.0	1.890	30.0	1.181	10.0	0.394
33.0	1.299	46.0	1.811	48.0	1.890	39.0	1.535	10.0	0.394
35.0	1.378	49.0	1.929	50.0	1.969	39.0	1.535	10.0	0.394
38.0	1.496	53.0	2.087	56.0	2.205	42.0	1.654	13.0	0.512
40.0	1.575	56.0	2.205	58.0	2.283	42.0	1.654	13.0	0.512
43.0	1.693	59.0	2.323	61.0	2.402	47.0	1.850	13.0	0.512
45.0	1.772	61.0	2.402	63.0	2.480	47.0	1.850	13.0	0.512
48.0	1.890	64.0	2.520	66.0	2.598	47.0	1.850	13.0	0.512
50.0	1.969	66.0	2.598	70.0	2.756	46.0	1.811	14.0	0.551
53.0	2.087	69.0	2.717	73.0	2.874	56.0	2.205	14.0	0.551
55.0	2.165	71.0	2.795	75.0	2.953	56.0	2.205	14.0	0.551
58.0	2.283	76.0	2.992	78.0	3.071	56.0	2.205	14.0	0.551
60.0	2.362	78.0	3.071	80.0	3.150	56.0	2.205	14.0	0.551
63.0	2.480	81.0	3.189	83.0	3.268	56.0	2.205	14.0	0.551
65.0	2.559	84.0	3.307	85.0	3.346	66.0	2.598	14.0	0.551
68.0	2.677	87.0	3.425	90.0	3.543	64.0	2.520	16.0	0.630
70.0	2.756	89.0	3.528	92.0	3.622	64.0	2.520	16.0	0.630
75.0	2.953	98.0	3.858	97.0	3.819	64.0	2.520	16.0	0.630
80.0	3.150	100.0	3.937	105.0	4.134	72.0	2.835	18.0	0.709
85.0	3.346	107.5	4.232	110.0	4.331	72.0	2.835	18.0	0.709
90.0	3.543	111.0	4.370	115.0	4.528	72.0	2.835	18.0	0.709
95.0	3.740	119.0	4.685	120.0	4.724	72.0	2.835	18.0	0.709
100.0	3.937	123.8	4.874	125.0	4.921	72.0	2.835	18.0	0.709

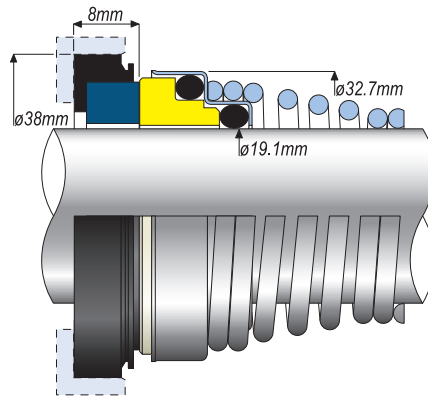


SR3

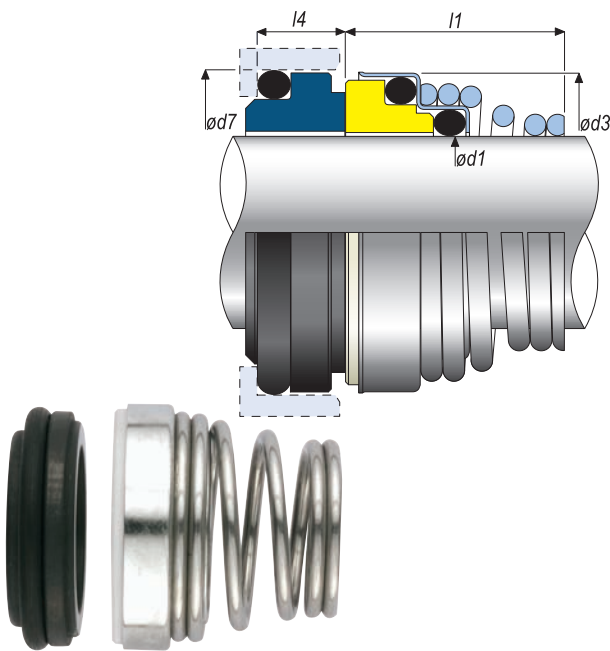
d1		d3		d7		l1		l4	
Metric	Inches	Metric	Inches	Metric	Inches	Metric	Inches	Metric	Inches
10.0	0.394	19.5	0.768	18.1	0.713	15.0	0.591	5.5	0.217
11.0	0.433	22.0	0.866	20.6	0.811	18.0	0.709	5.5	0.217
12.0	0.472	23.0	0.906	20.6	0.811	18.0	0.709	5.5	0.217
13.0	0.512	25.0	0.984	23.1	0.909	22.0	0.866	6.0	0.236
14.0	0.551	25.0	0.984	23.1	0.909	22.0	0.866	6.0	0.236
15.0	0.591	28.7	1.132	26.9	1.059	22.0	0.866	7.0	0.276
16.0	0.630	28.7	1.132	26.9	1.059	23.0	0.906	7.0	0.276
17.0	0.669	28.7	1.132	26.9	1.059	23.0	0.906	7.0	0.276
18.0	0.709	32.7	1.289	30.9	1.217	24.0	0.945	8.0	0.315
19.0	0.748	32.7	1.289	30.9	1.217	25.0	0.984	8.0	0.315
20.0	0.787	32.7	1.289	30.9	1.217	25.0	0.984	8.0	0.315
21.0	0.827	37.5	1.476	35.4	1.394	25.0	0.984	8.0	0.315
22.0	0.866	37.5	1.476	35.4	1.394	25.0	0.984	8.0	0.315
23.0	0.906	37.5	1.476	35.4	1.394	27.0	1.063	8.0	0.315
24.0	0.945	37.5	1.476	35.4	1.394	27.0	1.063	8.0	0.315
25.0	0.984	40.0	1.575	38.2	1.504	27.0	1.063	8.5	0.335
28.0	1.102	45.5	1.791	43.3	1.705	29.0	1.142	9.0	0.354
29.0	1.142	45.5	1.791	43.3	1.705	30.0	1.181	9.0	0.354
30.0	1.181	45.5	1.791	43.3	1.705	30.0	1.181	9.0	0.354
32.0	1.260	45.5	1.791	43.3	1.705	30.0	1.181	9.0	0.354
33.0	1.299	48.0	1.890	53.5	2.106	39.0	1.535	11.5	0.453
35.0	1.378	50.0	1.969	53.5	2.106	39.0	1.535	11.5	0.453
38.0	1.496	56.0	2.205	60.5	2.382	39.0	1.535	11.5	0.453
40.0	1.575	58.0	2.283	60.5	2.382	39.0	1.535	11.5	0.453



SR3M



SU3



d1		d3		d7		l1		l4	
Metric	Inches	Metric	Inches	Metric	Inches	Metric	Inches	Metric	Inches
10.0	0.394	20.0	0.787	21.0	0.827	15.0	0.591	7.0	0.276
12.0	0.472	22.0	0.866	23.0	0.906	18.0	0.709	7.0	0.276
14.0	0.551	24.0	0.945	25.0	0.984	22.0	0.866	7.0	0.276
16.0	0.630	26.0	1.024	27.0	1.063	23.0	0.906	7.0	0.276
18.0	0.709	32.0	1.260	33.0	1.260	24.0	0.945	10.0	0.394
20.0	0.787	33.0	1.299	35.0	1.378	25.0	0.984	10.0	0.394
22.0	0.866	36.0	1.417	37.0	1.457	25.0	0.984	10.0	0.394
24.0	0.945	37.4	1.472	39.0	1.535	27.0	1.063	10.0	0.394
25.0	0.984	38.0	1.496	40.0	1.575	27.0	1.063	10.0	0.394
28.0	1.102	42.0	1.654	43.0	1.693	29.0	1.142	10.0	0.394
30.0	1.181	44.0	1.732	45.0	1.772	30.0	1.181	10.0	0.394
32.0	1.260	45.5	1.791	48.0	1.890	30.0	1.181	10.0	0.394
33.0	1.299	46.5	1.831	48.0	1.890	39.0	1.535	10.0	0.394
35.0	1.378	49.0	1.929	50.0	1.969	39.0	1.535	10.0	0.394
38.0	1.496	56.0	2.205	56.0	2.205	42.0	1.654	13.0	0.512
40.0	1.575	58.0	2.283	58.0	2.283	42.0	1.654	13.0	0.512

2FL

Seals to suit Flygt® Pumps

The first4seals® 2FL™ Series: Replacement seals for Flygt® submersible pumps and mixers.

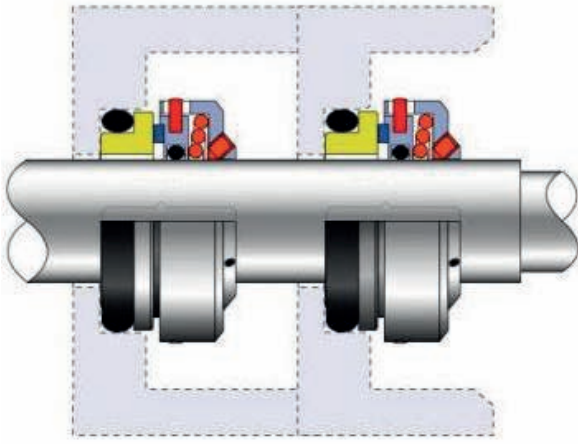
first4seals offers an extensive range of upper/lower seals and other arrangements to suit the majority of Flygt® pumps.

Please see the following tables for further information and contact our office with any specific enquiries.

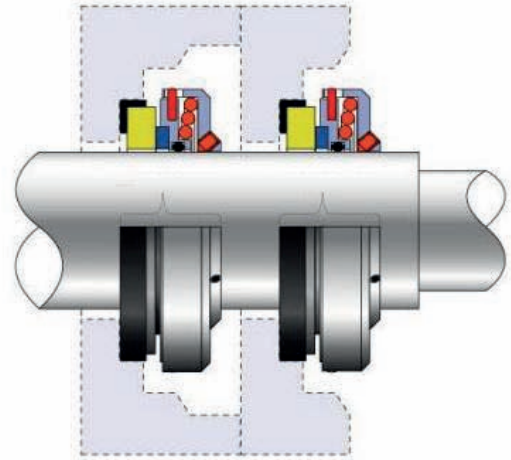


2FL

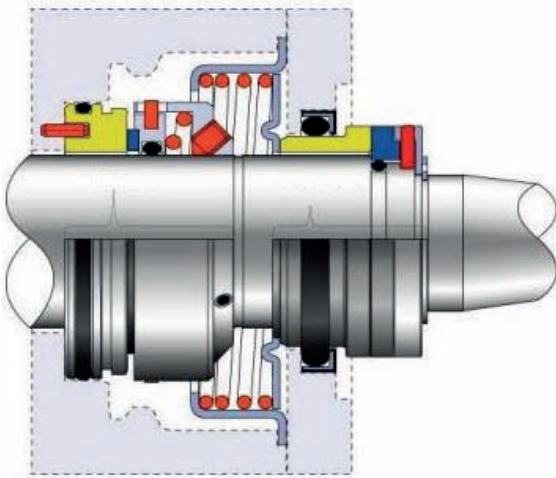
There follows a selection of the Flygt® seals available from first4seals. Please contact the Technical Department for information on the full range or with specific enquiries.



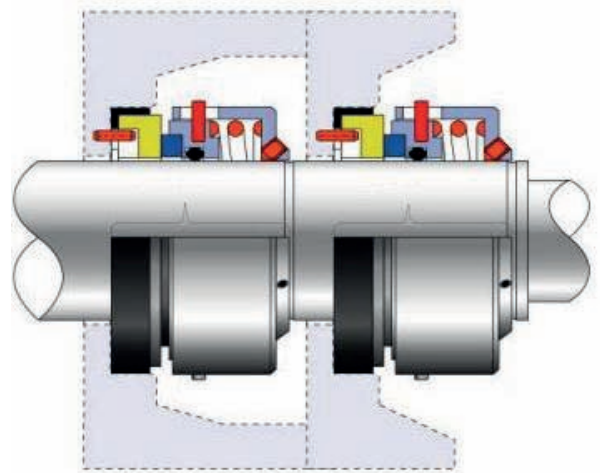
20mm Upper Seal + 20mm Lower Seal
Car/Cer/Nit TC/SiC/Nit



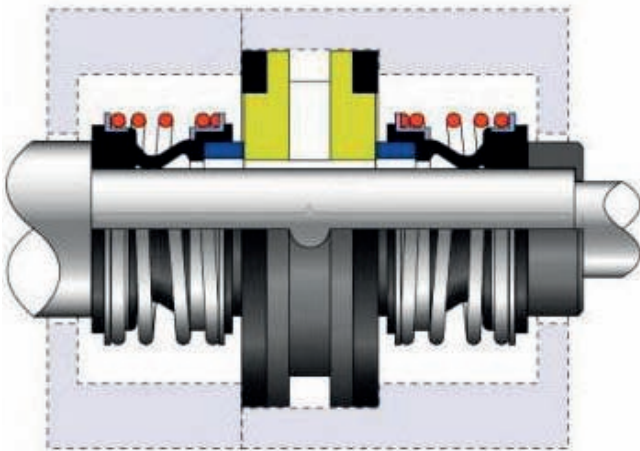
25mm Upper Seal + 25mm Lower Seal
Car/Cer/Nit TC/TC/Nit



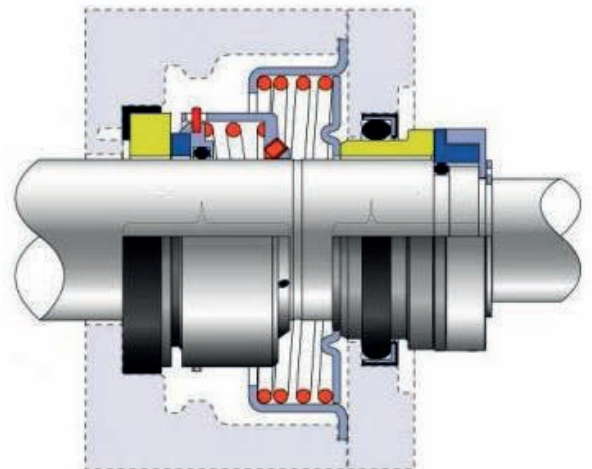
45mm Upper Seal + 45mm Lower Seal
Car/Cer/Nit TC/TC/Nit



28mm Upper Seal + 28mm Lower Seal
Car/Cer/Nit TC/TC/Nit



15mm Double Seal
SiC/SiC/Car/SiC/Nit



35mm Upper Seal + 35mm Lower Seal
Car/Cer/Nit TC/TC/Nit

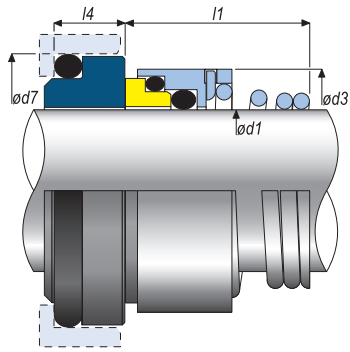
FLYGT®				
Unit				
Type	Model	Version	Size (Upper)	Size (Lower)
600			60mm	60mm
605			90mm	80mm
615			90mm	80mm
665			90mm	80mm
670			90mm	80mm
680			90mm	80mm
705			90mm	80mm
705			90mm	120mm
705			90mm	90mm
715			90mm	80mm
715			90mm	120mm
715			90mm	90mm
720			90mm	80mm
720			90mm	120mm
720			90mm	90mm
721			90mm	80mm
721			90mm	120mm
721			90mm	90mm
735			90mm	80mm
735			90mm	120mm
735			90mm	90mm
745			90mm	80mm
745			90mm	120mm
745			90mm	90mm
760			90mm	80mm
760			90mm	120mm
760			90mm	90mm
765			90mm	80mm
765			90mm	120mm
765			90mm	90mm
770			90mm	80mm
770			90mm	120mm
770			90mm	90mm
775			90mm	80mm
775			90mm	120mm
775			90mm	90mm
805				120mm
820			90mm	80mm
820			90mm	120mm
820			90mm	90mm
835				120mm
840			90mm	80mm
840			90mm	120mm
840			90mm	90mm
841			90mm	80mm
841			90mm	120mm
841			90mm	90mm
860			90mm	80mm
860			90mm	120mm
860			90mm	90mm
865				120mm
880			90mm	80mm
880			90mm	120mm
880			90mm	90mm

FLYGT®				
Unit				
Type	Model	Version	Size (Upper)	Size (Lower)
881			90mm	80mm
881			90mm	120mm
881			90mm	90mm
900			90mm	80mm
900			90mm	120mm
900			90mm	90mm
905				120mm
935				120mm
2004			15mm	
2008			15mm	
2012			15mm	
2016			15mm	
2024			20mm	20mm
2040			22mm	22mm
2050			15mm	
2052			15mm	
2060			20mm	20mm
2066			20mm	20mm
2070			22mm	22mm
2071			22mm	22mm
2075			20mm	20mm
2082			28mm	28mm
2084			35mm	35mm
2090			28mm	28mm
2101			20mm	20mm
2102	-210		22mm	22mm
2102	-40		22mm	22mm
2102	-41		22mm	22mm
2102	-220		22mm	22mm
2125			28mm	28mm
2135			35mm	35mm
2140			28mm	28mm
2151	-10		35mm	35mm
2151	-11		35mm	35mm
2151	-50		35mm	35mm
2201	-430		45mm	35mm
2201	-320		45mm	35mm
2201	-10		45mm	35mm
2201	-11	HT	45mm	35mm
2201	-11	LT	45mm	45mm
2201	-11	MT	45mm	35mm
2201	-480		45mm	35mm
2201	-590		45mm	35mm
2201	-690		45mm	35mm
2250			60mm	60mm
2290			60mm	60mm
2400			60mm	60mm
2540				60mm
3041	-171		20mm	20mm
3041	-180		20mm	20mm
3041	-281		20mm	20mm
3057			20mm	20mm
3060			20mm	20mm
3065			20mm	20mm

FLYGT®				
Unit				
Type	Model	Version	Size (Upper)	Size (Lower)
3066			20mm	20mm
3067	-890		20mm	20mm
3067	-690		20mm	20mm
3067	-590		20mm	20mm
3067	-250		20mm	20mm
3067	-170		20mm	20mm
3067	-90		20mm	20mm
3067	-180		20mm	20mm
3068			20mm	20mm
3080			20mm	20mm
3082			22mm	22mm
3085	-290		20mm	20mm
3085	-280		20mm	20mm
3085	-91		20mm	20mm
3085	-92		20mm	20mm
3085	-120		20mm	20mm
3085	-170		20mm	20mm
3085	-171		20mm	20mm
3085	-172		20mm	20mm
3085	-180		20mm	20mm
3085	-181		20mm	20mm
3085	-182		20mm	20mm
3085	-890		20mm	20mm
3085	-891		20mm	20mm
3101			28mm	28mm
3102			25mm	25mm
3126	-290		35mm	35mm
3126	-280		35mm	35mm
3126	-181		35mm	35mm
3126	-90		35mm	35mm
3126	-91		35mm	35mm
3126	-180		35mm	35mm
3127			35mm	35mm
3140			45mm	45mm
3152			45mm	45mm
3170			60mm	60mm
3200			60mm	60mm
3201			60mm	60mm
3230			90mm	80mm
3300	-91		90mm	80mm
3300	-181		90mm	80mm
3300	-280		90mm	80mm
3300	-980		90mm	80mm
3305			90mm	80mm
3310			90mm	120mm
3311			90mm	120mm
3312			90mm	120mm
3350			90mm	120mm
3351			90mm	120mm
3355			90mm	80mm
3356			90mm	80mm
3357			90mm	80mm
3400			90mm	90mm
3500			90mm	120mm

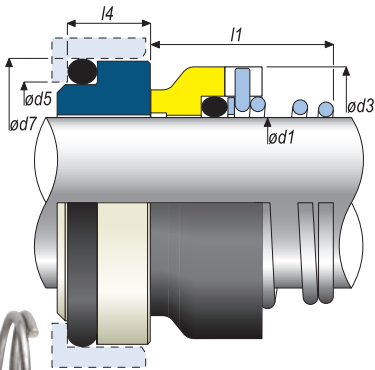
FLYGT®				
Unit				
Type	Model	Version	Size (Upper)	Size (Lower)
3501			90mm	120mm
3530			90mm	120mm
3531			90mm	120mm
3600			90mm	120mm
3601			90mm	120mm
3602			90mm	120mm
4351			20mm	20mm
4352			20mm	20mm
4400			20mm	20mm
4410				60mm
4430				60mm
4440			35mm	35mm
4650			45mm	45mm
4660			45mm	45mm
4670			60mm	60mm
4680			60mm	60mm
5100			45mm	
5520				25mm
5530			35mm	35mm
5540			45mm	
5550			60mm	
5560			90mm	
7045			60mm	60mm
7050			90mm	80mm
7051			90mm	80mm
7055			90mm	80mm
7060			90mm	80mm
7061			90mm	80mm
7076			90mm	80mm
7080			90mm	80mm
7080			90mm	120mm
7081			90mm	90mm
7101			90mm	90mm
7115			90mm	120mm
7556			90mm	80mm
7570			90mm	120mm
7585			90mm	120mm
Ready 4			15mm	
Ready 8			15mm	
Ready 12			15mm	
Ready 16			15mm	
Ready 24			20mm	20mm
Ready 40			22mm	22mm
Ready 56			22mm	22mm
Ready 90			28mm	28mm
Steady 7			20mm	20mm

SU5K



d1		d3		d7		l1		l4	
Metric	Inches	Metric	Inches	Metric	Inches	Metric	Inches	Metric	Inches
12.0	0.472	21.0	0.827	23.0	0.906	25.5	1.004	7.0	0.276
16.0	0.630	26.0	1.024	27.0	1.063	28.0	1.102	7.0	0.276

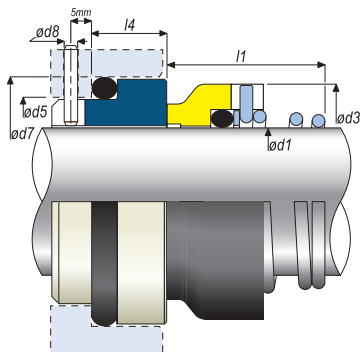
SM29



d1		d3		d7		l1		l4	
Metric	Inches	Metric	Inches	Metric	Inches	Metric	Inches	Metric	Inches
10.0	0.394	20.0	0.787	19.2	0.756	15.9	0.626	6.6	0.260
12.0	0.472	22.0	0.866	21.6	0.850	16.0	0.630	5.6	0.220
14.0	0.551	25.0	0.984	24.6	0.969	16.0	0.630	5.6	0.220
15.0	0.591	27.0	1.063	24.6	0.969	17.4	0.685	6.6	0.260
16.0	0.630	27.0	1.063	28.0	1.102	19.0	0.748	7.5	0.295
18.0	0.709	30.0	1.181	30.0	1.181	20.5	0.807	8.0	0.315
20.0	0.787	32.0	1.260	35.0	1.378	22.0	0.866	7.5	0.295
22.0	0.866	35.0	1.378	35.0	1.378	23.5	0.925	7.5	0.295
24.0	0.945	38.0	1.496	38.0	1.496	25.0	0.984	7.5	0.295
25.0	0.984	40.0	1.575	38.0	1.496	26.5	1.043	7.5	0.295
28.0	1.102	43.0	1.693	42.0	1.654	26.5	1.043	9.0	0.354
30.0	1.181	45.0	1.772	45.0	1.772	25.0	0.984	10.5	0.413
32.0	1.260	47.0	1.850	48.0	1.890	28.5	1.122	10.5	0.413
35.0	1.378	50.0	1.969	52.0	2.047	28.5	1.122	11.0	0.433
38.0	1.496	56.0	2.205	55.0	2.165	32.0	1.260	10.3	0.406



SM29D

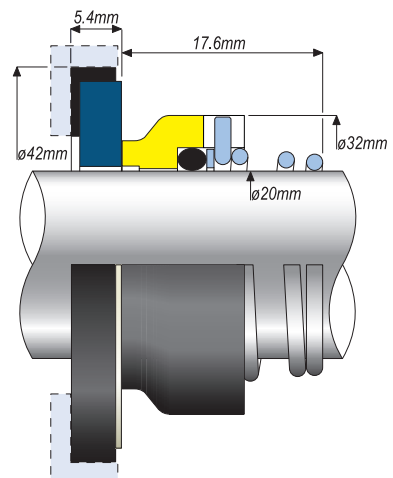


d1		d3		d7		d8		l1		l4	
Metric	Inches	Metric	Inches	Metric	Inches	Metric	Inches	Metric	Inches	Metric	Inches
10.0	0.394	20.0	0.787	21.0	0.827	3.0	0.118	17.5	0.689	10.0	0.394
12.0	0.472	22.0	0.866	23.0	0.906	3.0	0.118	17.5	0.689	10.0	0.394
14.0	0.551	25.0	0.984	25.0	0.984	3.0	0.118	17.5	0.689	10.0	0.394
16.0	0.630	27.0	1.063	27.0	1.063	3.0	0.118	19.5	0.768	10.0	0.394
18.0	0.709	30.0	1.181	33.0	1.299	3.0	0.118	20.5	0.807	11.5	0.453
20.0	0.787	32.0	1.260	35.0	1.378	3.0	0.118	22.0	0.866	11.5	0.453
22.0	0.866	35.0	1.378	37.0	1.457	3.0	0.118	23.5	0.925	11.5	0.453
24.0	0.945	38.0	1.496	39.0	1.535	3.0	0.118	25.0	0.984	11.5	0.453
25.0	0.984	40.0	1.575	40.0	1.575	3.0	0.118	26.5	1.043	11.5	0.453
28.0	1.102	43.0	1.693	43.0	1.693	3.0	0.118	26.5	1.043	11.5	0.453
30.0	1.181	45.0	1.772	45.0	1.772	3.0	0.118	25.0	0.984	11.5	0.453
32.0	1.260	47.0	1.850	48.0	1.890	3.0	0.118	28.5	1.122	11.5	0.453
35.0	1.378	50.0	1.969	50.0	1.969	3.0	0.118	28.5	1.122	11.5	0.453
38.0	1.496	56.0	2.205	56.0	2.205	4.0	0.157	32.0	1.260	14.0	0.551



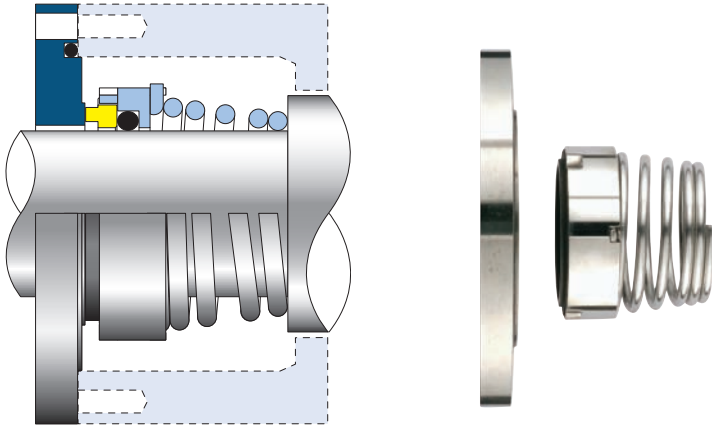
SM29X

Seal to suit Westfalia Separator



Seal to suit Copeland 4cc, 6cc and 8cc compressors

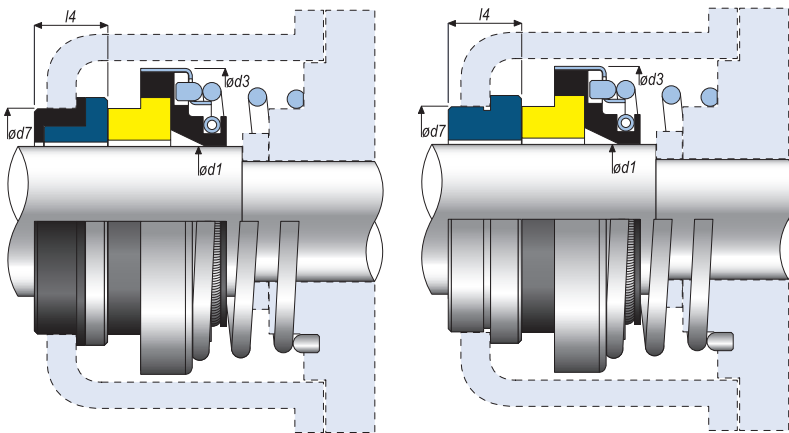
414C



Seals to suit APV Pumps ZMA, ZMB, ZMD, ZMH, ZMK & ZMS

SAPV

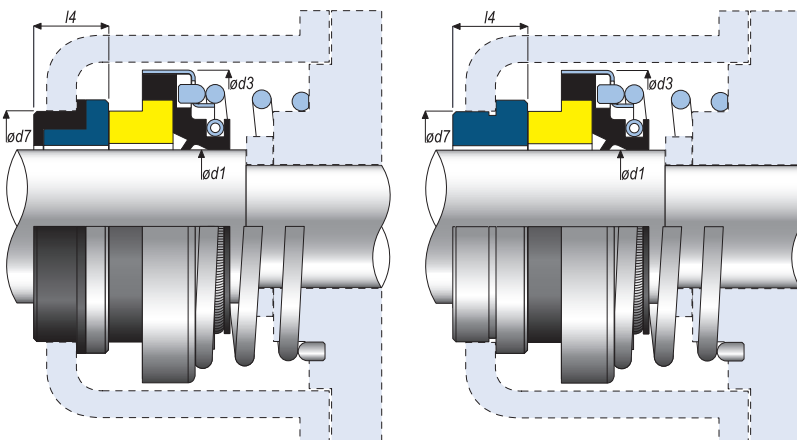
Metric	d1	Inches	Metric	d3	Inches	Metric	d7	Inches	Metric	l4	Inches
20.0	0.787	40.6	1.598	30.0	1.181	9.8	0.386				
25.0	0.984	45.5	1.791	35.0	1.380	9.8	0.386				
30.0	1.181	57.0	2.244	42.0	1.654	13.0	0.512				
35.0	1.378	63.0	2.480	46.0	1.811	12.0	0.472				



Seals to suit APV Pumps ZMA, ZMB, ZMD, ZMH, ZMK & ZMS

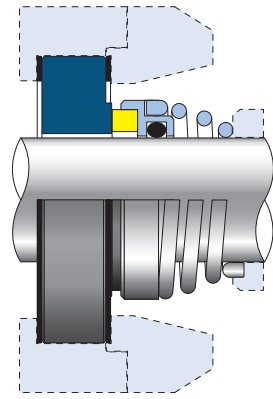
SAPVR

Metric	d1	Inches	Metric	d3	Inches	Metric	d7	Inches	Metric	l4	Inches
20.0	0.787	40.6	1.598	30.0	1.181	9.8	0.386				
25.0	0.984	45.5	1.791	35.0	1.380	9.8	0.386				
30.0	1.181	57.0	2.244	42.0	1.654	13.0	0.512				
35.0	1.378	63.0	2.480	46.0	1.811	12.0	0.472				



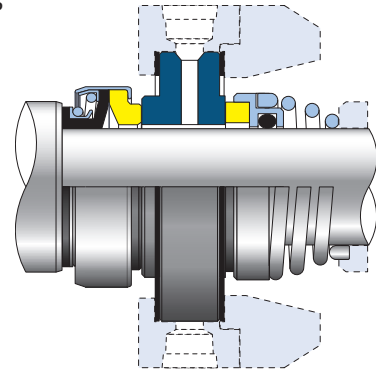
SW

Single Seals to suit APV W Pumps



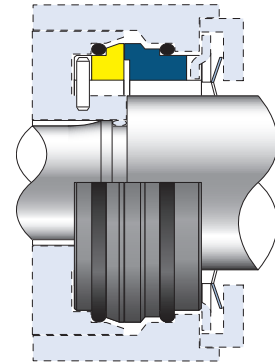
SWD

Double Seals to suit APV W Pumps



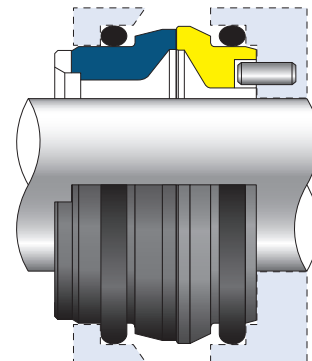
SWDW

Seals to suit APV DW Pumps



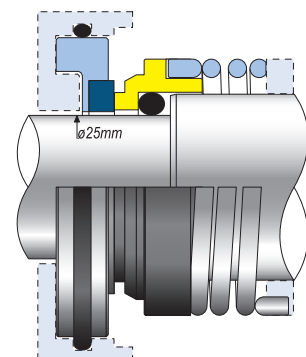
SWP

Seals to suit APV W Plus Pumps



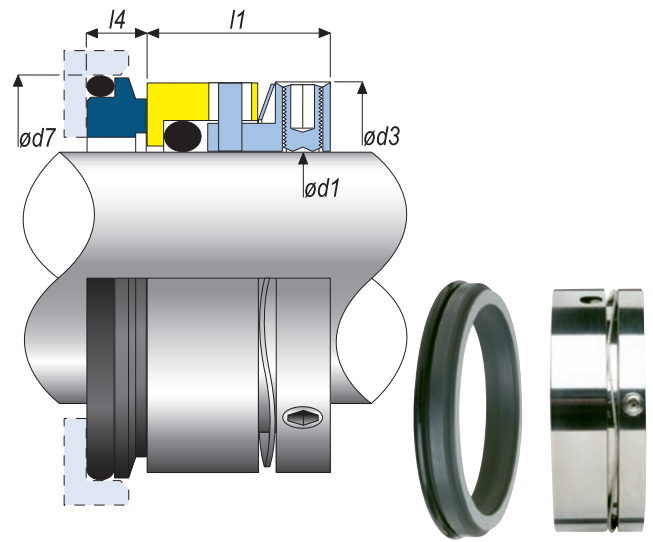
APV SIM

Seal to suit APV Sim 20/30-220 Pumps



280

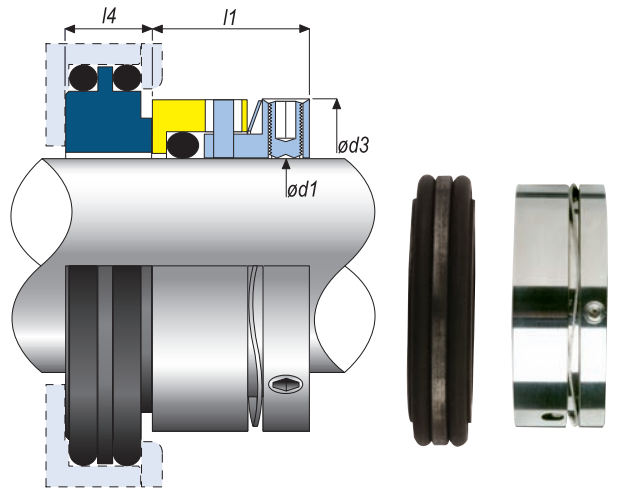
d1		d3		d7		l1		l4	
Metric	Inches	Metric	Inches	Metric	Inches	Metric	Inches	Metric	Inches
15.8	0.625	27.0	1.063	28.5	1.125	19.1	0.750	6.3	0.250
16.0	0.630	27.0	1.063	28.5	1.125	19.1	0.750	6.3	0.250
19.1	0.750	30.0	1.181	31.7	1.250	19.1	0.750	6.3	0.250
24.0	0.945	34.1	1.343	35.4	1.396	19.1	0.750	7.6	0.300
28.0	1.102	40.0	1.575	42.0	1.654	19.1	0.750	7.6	0.300
28.6	1.125	39.5	1.555	41.2	1.625	19.1	0.750	7.6	0.300
30.0	1.181	41.0	1.614	42.7	1.681	19.1	0.750	7.6	0.300
31.7	1.250	42.4	1.669	44.2	1.742	19.1	0.750	7.6	0.300
32.0	1.260	42.4	1.669	44.4	1.750	19.1	0.750	7.6	0.300
35.0	1.375	45.5	1.791	47.6	1.875	19.1	0.750	7.6	0.300
38.0	1.500	51.8	2.039	53.9	2.125	21.1	0.831	8.1	0.319
44.4	1.750	58.2	2.291	60.3	2.375	21.1	0.831	8.1	0.319
47.6	1.875	61.4	2.417	63.5	2.500	21.1	0.831	8.1	0.319
50.0	1.969	61.9	2.437	63.9	2.518	21.1	0.831	8.1	0.319
50.8	2.000	64.6	2.543	66.6	2.625	22.1	0.870	9.6	0.378
53.9	2.125	71.0	2.795	73.0	2.875	22.1	0.870	9.6	0.378
54.0	2.125	71.0	2.795	73.9	2.911	22.1	0.870	9.6	0.378
54.6	2.150	72.0	2.835	75.0	2.953	22.1	0.870	9.6	0.378
55.0	2.165	72.0	2.835	75.0	2.953	22.1	0.870	9.6	0.378
63.0	2.480	79.3	3.122	83.0	3.268	25.8	1.016	9.1	0.358
63.5	2.500	79.3	3.122	88.9	3.500	25.8	1.016	9.1	0.358
69.8	2.750	88.9	3.500	95.2	3.750	25.8	1.016	9.1	0.358
73.0	2.875	94.0	3.701	98.4	3.875	25.8	1.016	9.1	0.358
75.0	2.953	96.0	3.780	100.4	3.954	25.8	1.016	9.1	0.358



Seal to suit Johnson Toplobe Pump

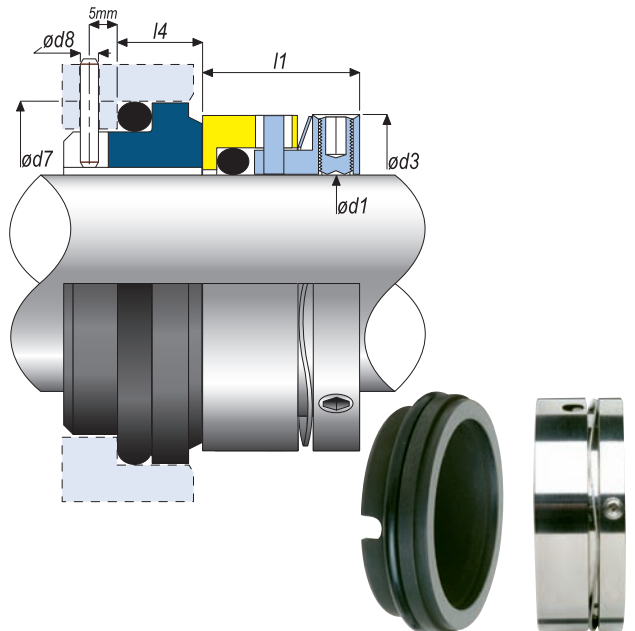
280TL

d1		d3		l1		l4	
Metric	Inches	Metric	Inches	Metric	Inches	Metric	Inches
30.0	1.181	41.0	1.614	19.1	0.752	10.3	0.406
35.0	1.378	45.5	1.791	19.1	0.752	12.0	0.472
50.0	1.969	61.9	2.437	21.1	0.831	12.0	0.472



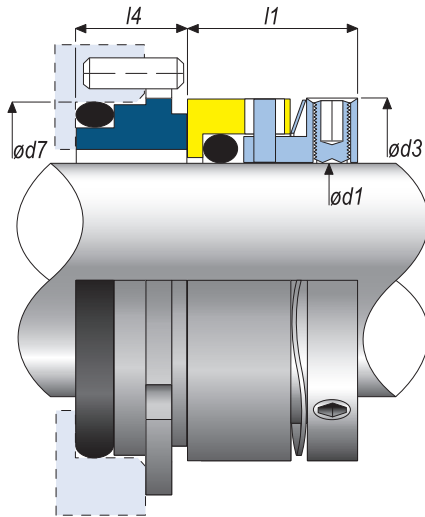
280L

d1		d3		d7		d8		l1		l4	
Metric	Inches	Metric	Inches	Metric	Inches	Metric	Inches	Metric	Inches	Metric	Inches
16.0	0.630	27.0	1.063	27.0	1.063	3.0	0.118	19.1	0.750	8.6	0.339
20.0	0.787	31.0	1.220	35.0	1.378	3.0	0.118	19.1	0.750	10.0	0.394
22.0	0.866	33.0	1.299	37.0	1.457	3.0	0.118	19.1	0.750	10.0	0.394
24.0	0.945	34.1	1.343	39.0	1.535	3.0	0.118	19.1	0.750	10.0	0.394
25.0	0.984	35.2	1.386	40.0	1.575	3.0	0.118	19.1	0.750	10.0	0.394
28.0	1.102	40.0	1.575	43.0	1.693	3.0	0.118	19.1	0.750	10.0	0.394
30.0	1.181	41.0	1.614	45.0	1.772	3.0	0.118	19.1	0.750	10.0	0.394
32.0	1.260	42.4	1.669	48.0	1.890	3.0	0.118	19.1	0.750	10.0	0.394
33.0	1.299	44.0	1.732	48.0	1.890	3.0	0.118	19.1	0.750	10.0	0.394
35.0	1.378	45.5	1.791	50.0	1.969	3.0	0.118	19.1	0.750	10.0	0.394
38.0	1.496	51.8	2.039	56.0	2.205	4.0	0.157	21.1	0.831	11.0	0.433
40.0	1.575	53.8	2.118	58.0	2.283	4.0	0.157	21.1	0.831	11.0	0.433
43.0	1.693	56.0	2.205	61.0	2.402	4.0	0.157	21.1	0.831	11.0	0.433
45.0	1.772	58.2	2.291	63.0	2.480	4.0	0.157	21.1	0.831	11.0	0.433
48.0	1.890	61.4	2.417	66.0	2.598	4.0	0.157	21.1	0.831	11.0	0.433
50.0	1.969	61.9	2.437	70.0	2.756	4.0	0.157	21.1	0.831	13.0	0.512
55.0	2.165	72.0	2.835	75.0	2.953	4.0	0.157	22.1	0.870	13.0	0.512
60.0	2.362	76.0	2.992	80.0	3.150	4.0	0.157	25.8	1.016	13.0	0.512
63.0	2.480	79.3	3.122	83.0	3.268	4.0	0.157	25.8	1.016	13.0	0.512
65.0	2.559	82.3	3.240	85.0	3.346	4.0	0.157	25.8	1.016	13.0	0.512
70.0	2.756	88.9	3.500	92.0	3.622	4.0	0.157	25.8	1.016	15.3	0.602
75.0	2.953	96.0	3.780	97.0	3.819	4.0	0.157	25.8	1.016	15.3	0.602



280W

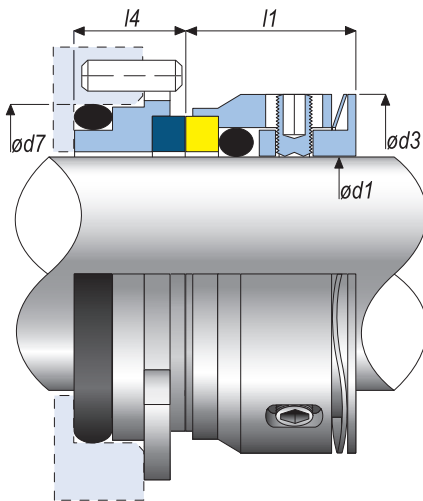
Seals to suit Alfa Laval SSP SR Range



Pump Ref:	d1		d3		d7		l1		l4	
	Metric	Inches	Metric	Inches	Metric	Inches	Metric	Inches	Metric	Inches
SR1	20.0	0.787	31.0	1.220	30.0	1.181	19.1	0.750	10.7	0.421
SR2	30.0	1.181	41.0	1.614	41.3	1.626	19.1	0.750	10.9	0.429
SR3	35.0	1.378	45.5	1.791	47.0	1.850	19.1	0.750	12.2	0.480
SR4	45.0	1.772	58.2	2.291	58.3	2.295	21.1	0.831	11.6	0.457
SR5	55.0	2.165	72.0	2.835	69.6	2.740	22.1	0.870	13.0	0.512
SR6	75.0	2.953	96.0	3.780	92.2	3.630	25.8	1.016	14.5	0.570

282

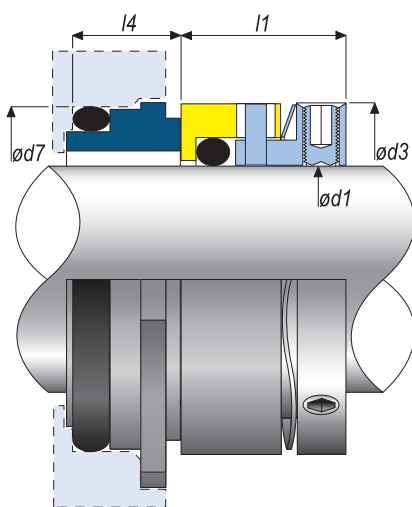
Seals to suit Alfa Laval SSP SR Range



Pump Ref:	d1		d3		d7		l1		l4	
	Metric	Inches	Metric	Inches	Metric	Inches	Metric	Inches	Metric	Inches
SR1	20.0	0.787	32.4	1.276	30.0	1.181	20.0	0.787	10.7	0.421
SR2	30.0	1.181	44.0	1.732	41.3	1.626	21.4	0.843	10.9	0.429
SR3	35.0	1.378	50.8	2.000	47.0	1.850	22.0	0.866	12.2	0.480
SR4	45.0	1.772	62.4	2.457	58.3	2.295	22.9	0.902	11.6	0.457
SR5	55.0	2.165	76.0	2.992	69.6	2.740	29.3	1.154	13.0	0.512
SR6	75.0	2.953	99.2	3.906	92.2	3.630	31.1	1.224	14.5	0.570

280Y

Seals to suit Johnson Classic IC Pumps

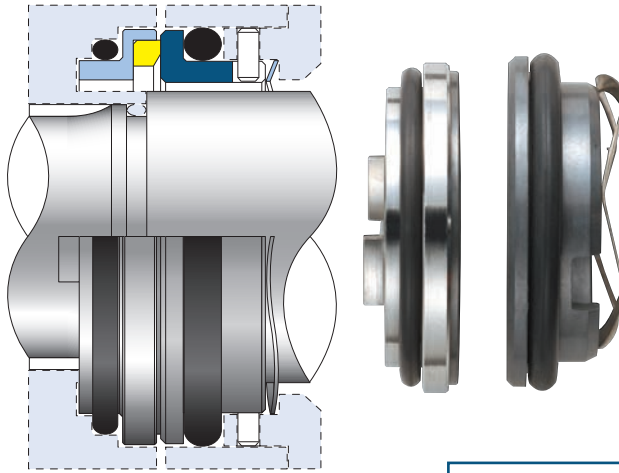


Pump Ref:	d1		d3		d7		l1		l4	
	Metric	Inches	Metric	Inches	Metric	Inches	Metric	Inches	Metric	Inches
Size 10	30.0	1.181	41.0	1.614	40.0	1.575	19.1	0.750	9.3	0.366
Size 20	35.0	1.378	45.5	1.791	44.5	1.752	19.1	0.750	9.2	0.362
Size 30	50.0	1.968	61.9	2.437	62.0	2.441	21.1	0.831	10.4	0.409
Size 40	70.0	2.756	88.9	3.500	85.0	3.346	25.8	1.016	14.1	0.555
Size 50	80.0	3.149	101.0	3.976	95.0	3.740	25.8	1.016	16.2	0.638

Seals to suit Johnson Online (OL) Pumps

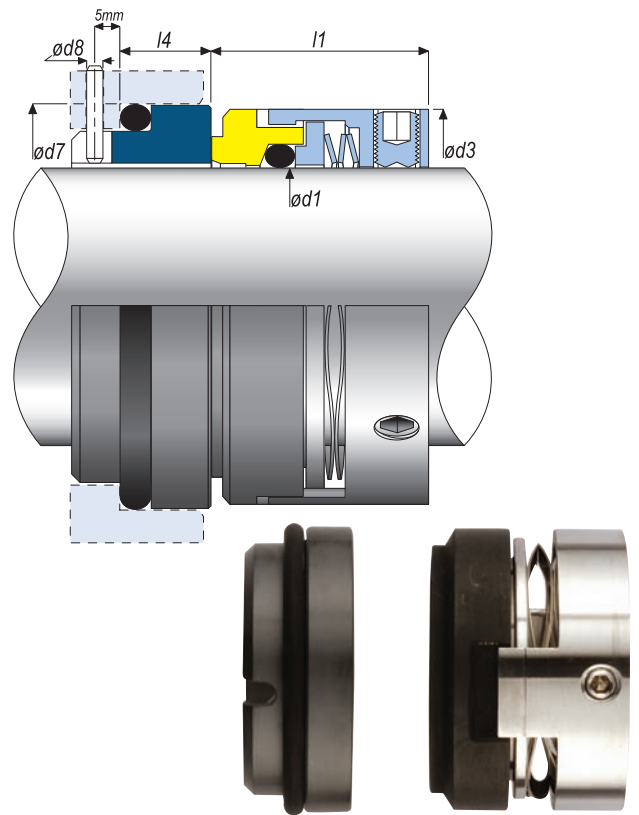
285

Pump Model	Shaft Size
OnLine (OL) 1	24mm
OnLine (OL) 2	42mm
OnLine (OL) 3	53mm
OnLine (OL) 4	75mm



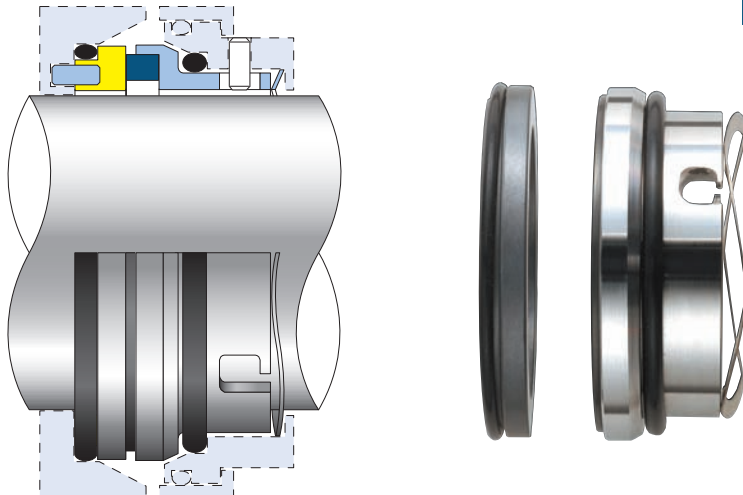
270

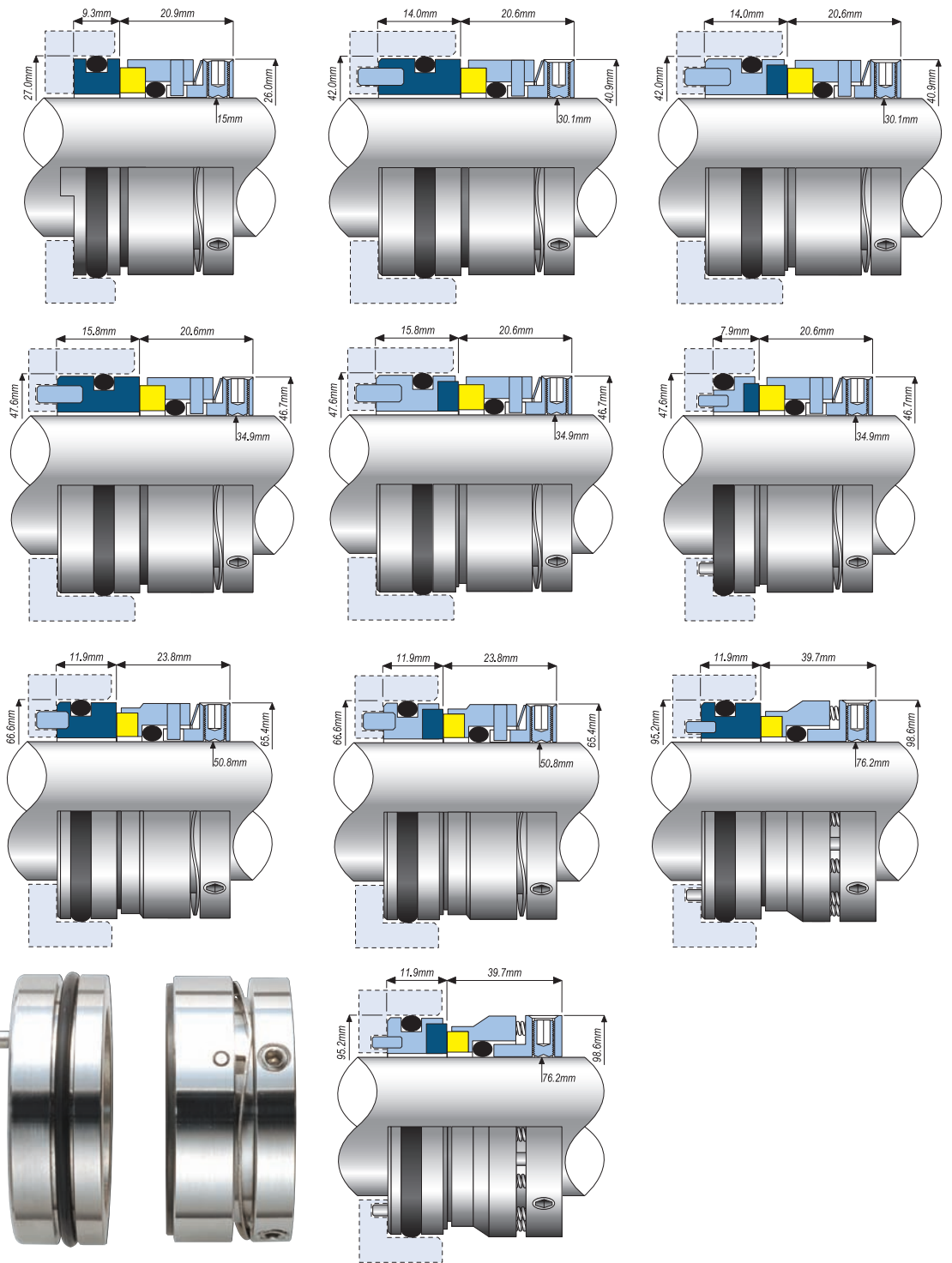
d1		d3		d7		d8		l1		l4	
Metric	Inches	Metric	Inches	Metric	Inches	Metric	Inches	Metric	Inches	Metric	Inches
16.0	0.630	26.5	1.043	27.0	1.063	3.0	0.118	25.0	0.984	10.0	0.394
18.0	0.709	32.0	1.260	33.0	1.299	3.0	0.118	26.0	1.024	11.5	0.453
20.0	0.787	34.0	1.339	35.0	1.378	3.0	0.118	26.0	1.024	11.5	0.453
22.0	0.866	36.0	1.417	37.0	1.457	3.0	0.118	26.0	1.024	11.5	0.453
24.0	0.945	38.0	1.496	39.0	1.535	3.0	0.118	28.5	1.122	11.5	0.453
25.0	0.984	39.0	1.535	40.0	1.575	3.0	0.118	28.5	1.122	11.5	0.453
28.0	1.102	42.0	1.654	43.0	1.693	3.0	0.118	31.0	1.220	11.5	0.453
30.0	1.181	44.0	1.732	45.0	1.772	3.0	0.118	31.0	1.220	11.5	0.453
32.0	1.260	46.0	1.811	48.0	1.890	3.0	0.118	31.0	1.220	11.5	0.453
33.0	1.299	47.0	1.850	48.0	1.890	3.0	0.118	31.0	1.220	11.5	0.453
35.0	1.378	49.0	1.929	50.0	1.969	3.0	0.118	31.0	1.220	11.5	0.453
38.0	1.496	54.0	2.126	56.0	2.205	4.0	0.157	31.0	1.220	14.0	0.551
40.0	1.575	56.0	2.205	58.0	2.283	4.0	0.157	31.0	1.220	14.0	0.551
43.0	1.693	59.0	2.323	61.0	2.402	4.0	0.157	31.0	1.220	14.0	0.551
45.0	1.772	61.0	2.402	63.0	2.480	4.0	0.157	31.0	1.220	14.0	0.551
48.0	1.890	64.0	2.520	66.0	2.598	4.0	0.157	31.0	1.220	14.0	0.551
50.0	1.969	66.0	2.598	70.0	2.756	4.0	0.157	32.5	1.280	15.0	0.591
53.0	2.087	69.0	2.717	73.0	2.874	4.0	0.157	32.5	1.280	15.0	0.591
55.0	2.165	71.0	2.795	75.0	2.953	4.0	0.157	32.5	1.280	15.0	0.591
58.0	2.283	78.0	3.071	78.0	3.071	4.0	0.157	37.5	1.476	15.0	0.591
60.0	2.362	80.0	3.150	80.0	3.150	4.0	0.157	37.5	1.476	15.0	0.591
63.0	2.480	83.0	3.268	83.0	3.268	4.0	0.157	37.5	1.476	15.0	0.591
65.0	2.559	85.0	3.346	85.0	3.346	4.0	0.157	37.5	1.476	15.0	0.591
68.0	2.677	88.0	3.465	90.0	3.543	4.0	0.157	34.5	1.358	18.0	0.709
70.0	2.756	90.0	3.543	92.0	3.622	4.0	0.157	42.0	1.654	18.0	0.709
75.0	2.953	99.0	3.898	97.0	3.819	4.0	0.157	42.0	1.654	18.0	0.709
80.0	3.150	104.0	4.094	105.0	4.134	4.0	0.157	41.8	1.646	18.2	0.717
85.0	3.346	109.0	4.291	110.0	4.331	4.0	0.157	41.8	1.646	18.2	0.717
90.0	3.543	114.0	4.488	115.0	4.528	4.0	0.157	46.8	1.843	18.2	0.717
95.0	3.740	119.0	4.685	120.0	4.724	4.0	0.157	47.8	1.882	17.2	0.677
100.0	3.937	124.0	4.882	125.0	4.921	4.0	0.157	47.8	1.882	17.2	0.677



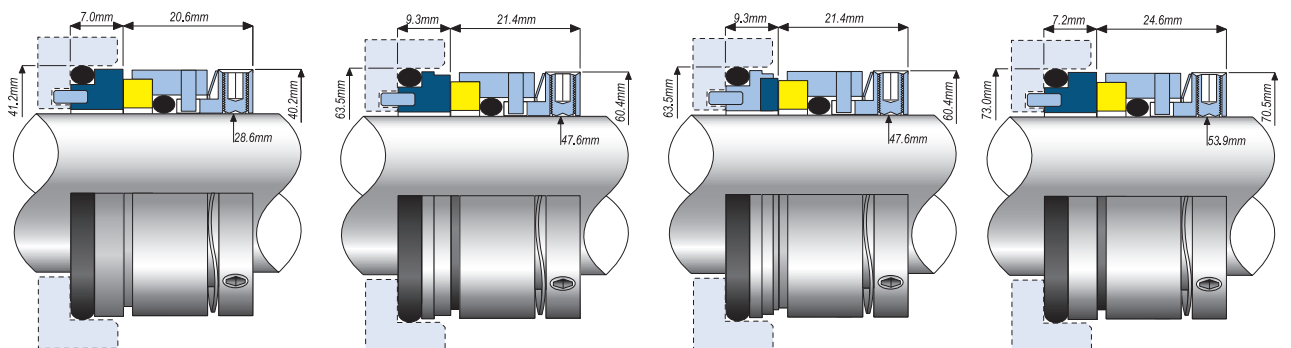
Seals to suit APV ZMS-5 and ZMS-6 Pumps

SAPVZMS5

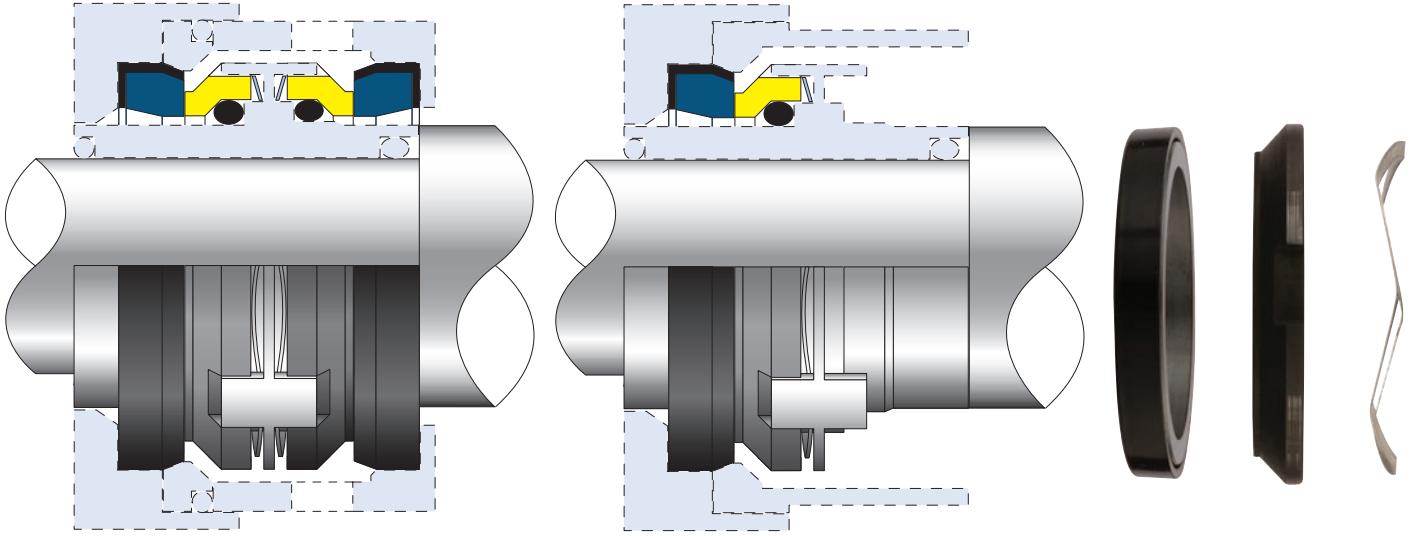




Seals to suit APV Howard Clean Line Pumps (Old style seals)



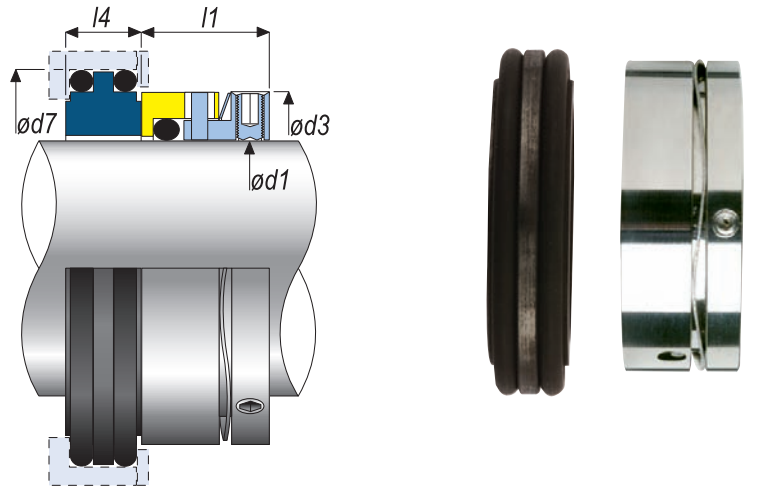
256



Seals to suit external seal arrangements INOXPA PROLAC and SLR Pumps

257

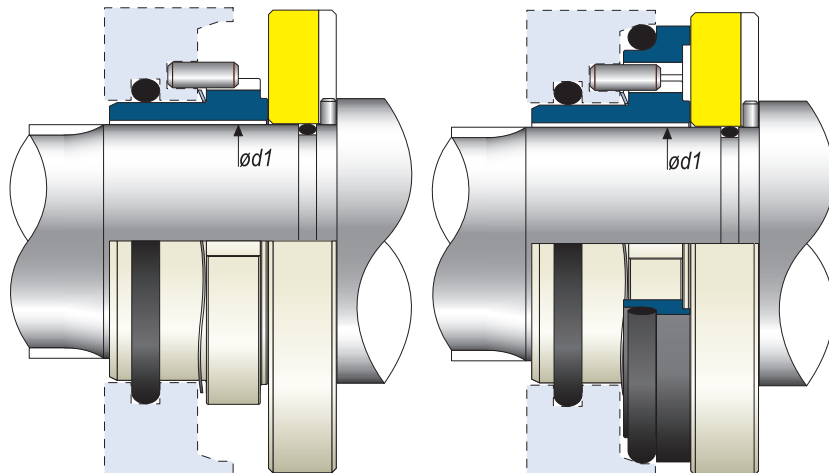
d1		d3		d7		l1		l4	
Metric	Inches	Metric	Inches	Metric	Inches	Metric	Inches	Metric	Inches
28.0	1.102	40.2	1.583	46.0	1.811	21.0	0.827	10.1	0.398
35.0	1.378	45.5	1.791	53.0	2.087	19.1	0.752	12.0	0.472
50.0	1.969	63.5	2.500	70.0	2.756	23.0	0.906	12.0	0.472



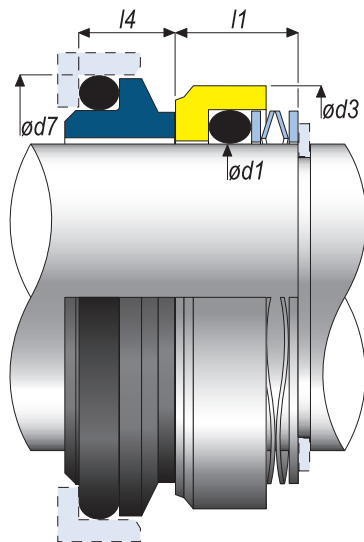
Seals to suit Waukesha Universal I Pumps

258

d1	
Metric	Inches
30.1	1.185
38.1	1.500
47.6	1.875
69.8	2.750



254

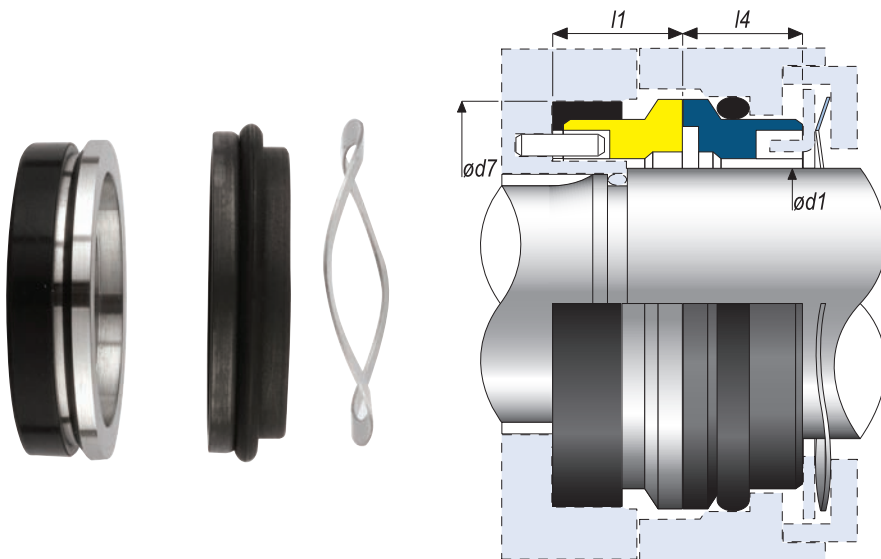


d1		d3		d7		l1		l4	
Metric	Inches	Metric	Inches	Metric	Inches	Metric	Inches	Metric	Inches
48.0	1.890	62.0	2.441	67.0	2.638	15.6	0.614	14.5	0.571
65.0	2.559	79.0	3.110	86.0	3.386	17.8	0.701	15.3	0.602
80.0	3.149	98.0	3.858	104.0	4.094	19.5	0.767	16.7	0.657
90.0	3.543	105.0	4.133	114.0	4.488	19.4	0.763	16.3	0.641
100.0	3.937	116.0	4.566	123.0	4.842	21.0	0.823	17.1	0.673

251

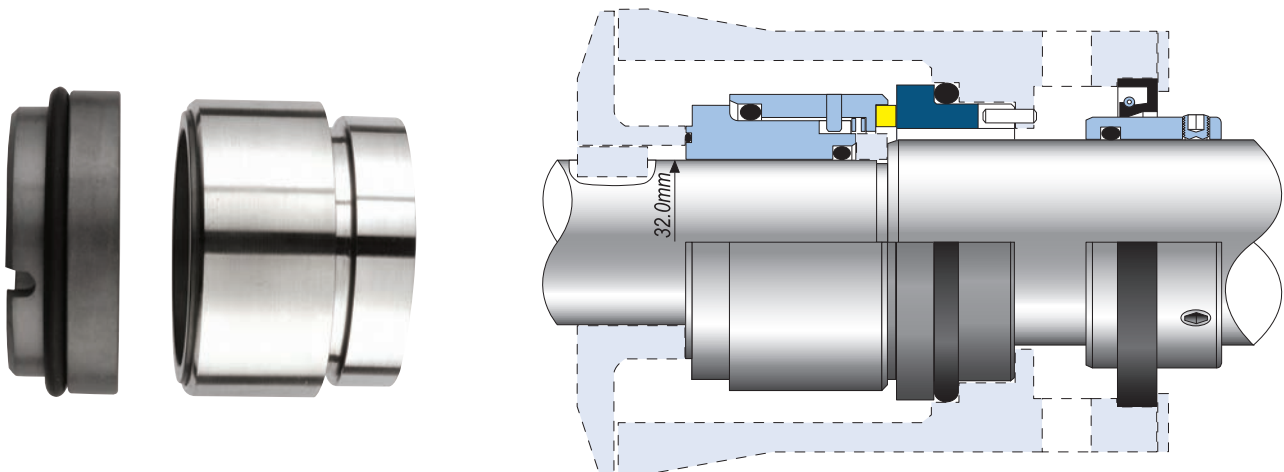
Seals to suit Jabsco Hy-Line LH520 and LH540 Pumps

d1		d7		l1		l4	
Metric	Inches	Metric	Inches	Metric	Inches	Metric	Inches
25.0	0.980	37.0	1.450	12.3	0.480	11.1	0.430
34.9	1.375	48.0	1.890	12.5	0.492	11.5	0.453
47.6	1.875	60.3	2.375	13.7	0.539	12.7	0.500



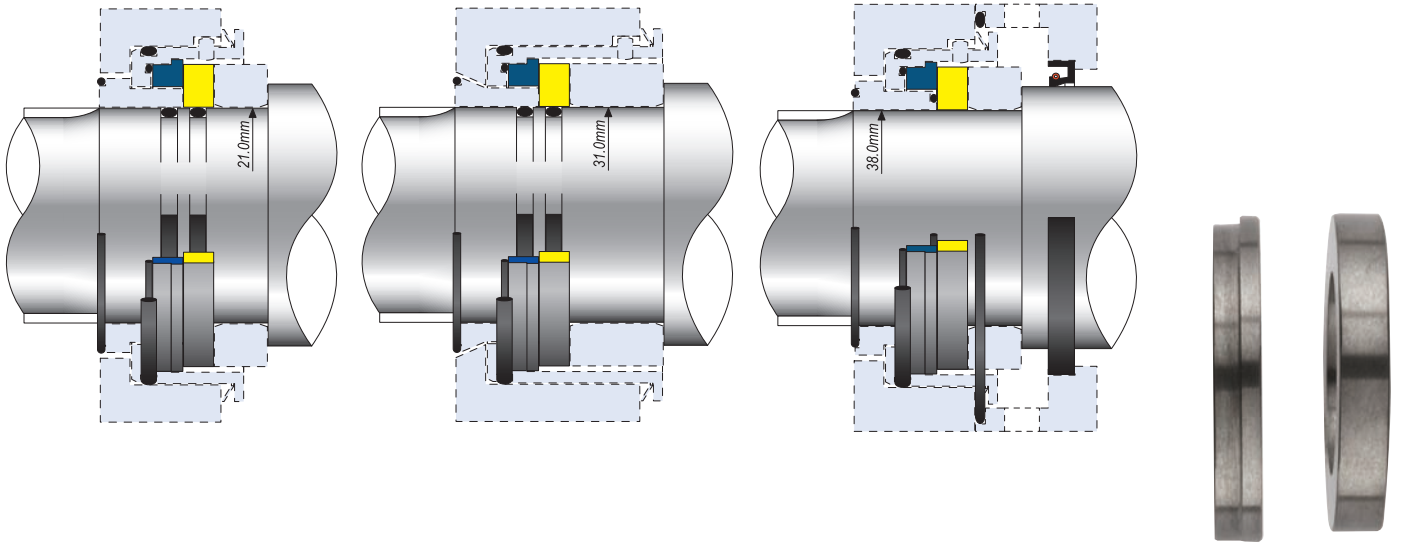
FR1

Seal to suit Fristam Pump



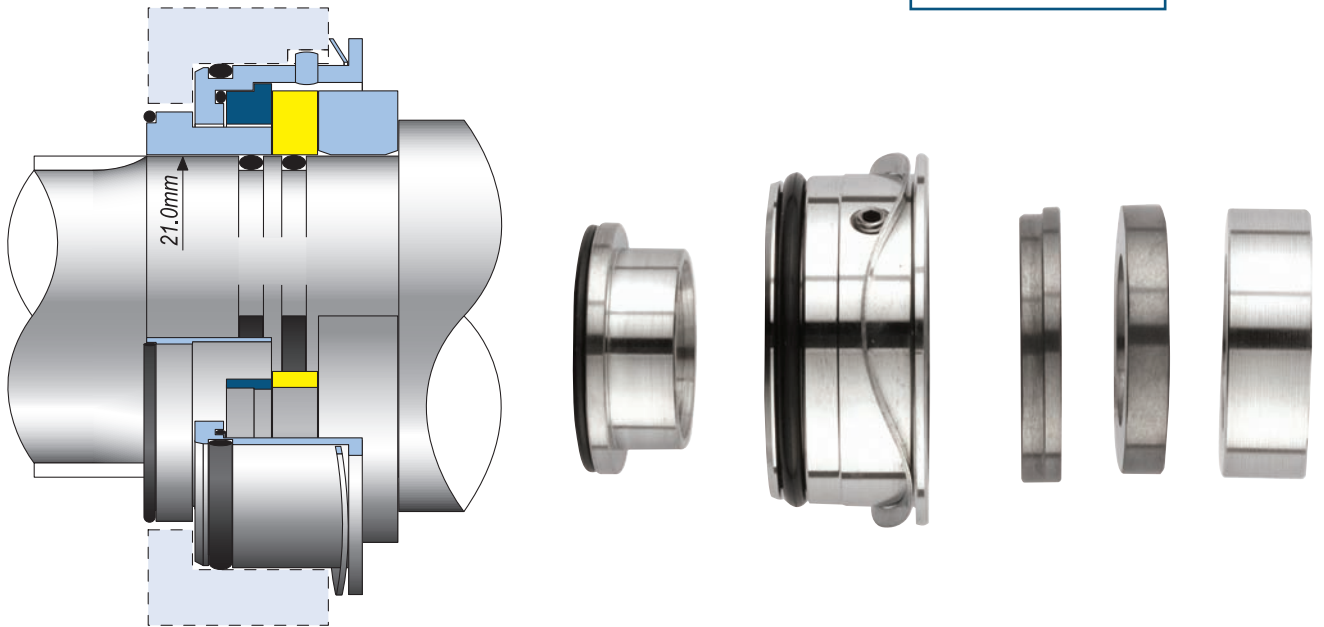
Seal Kits to suit Fristam FLF and FLFN Pumps

FR2



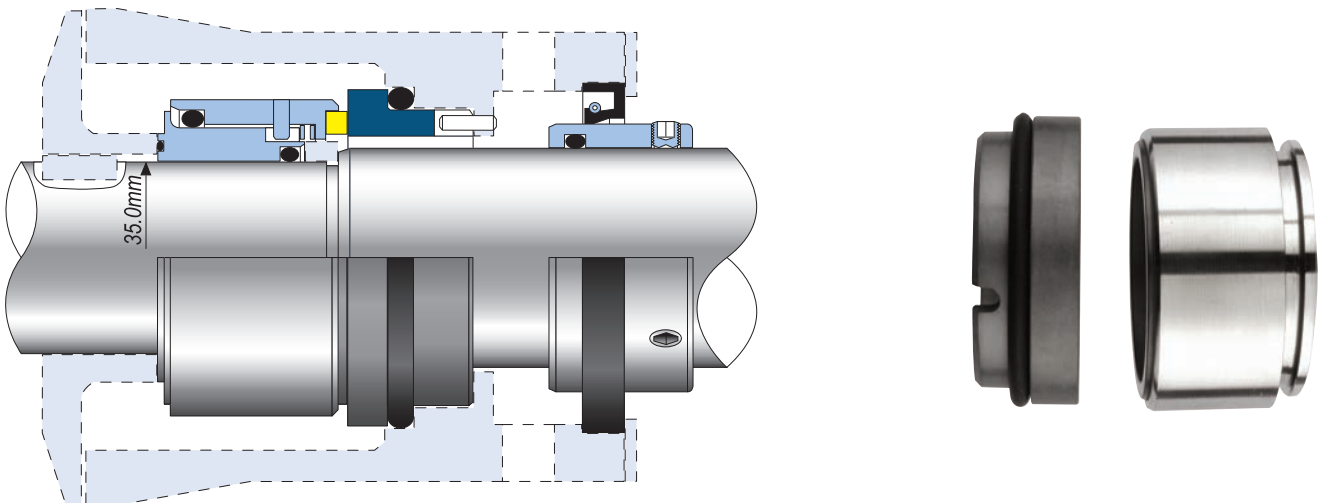
Seals to suit Fristam FLF 55 and FLFN 55 Pumps

FR3



Seal to suit Fristam Pump

FR4



Single Spring Seals

single spring
mechanical seal range

Product is not an ISO standard seal. Design, testing and pressure are the responsibility of the user. ISO 10179 for seal O.D. (mm) and ISO 10178 for seal I.D. (mm)

Component Seals

component
environmental multi-spring mechanical seals SMT™ and SMT™ series

Product is not an ISO standard seal. Design, testing and pressure are the responsibility of the user. ISO 10179 for seal O.D. (mm) and ISO 10178 for seal I.D. (mm)

MV Single Rotary Cartridge Seals

compact
environmental cartridge mechanical seals MV™ series

Product is not an ISO standard seal. Design, testing and pressure are the responsibility of the user. ISO 10179 for seal O.D. (mm) and ISO 10178 for seal I.D. (mm)

302 Double Rotary Cartridge Seals

double rotary
environmental cartridge mechanical seals 302™ series

Product is not an ISO standard seal. Design, testing and pressure are the responsibility of the user. ISO 10179 for seal O.D. (mm) and ISO 10178 for seal I.D. (mm)

F4S100 Single Stationary Cartridge Seals

single stationary
environmental cartridge mechanical seals f4s100™ & f4s100™ series

Product is not an ISO standard seal. Design, testing and pressure are the responsibility of the user. ISO 10179 for seal O.D. (mm) and ISO 10178 for seal I.D. (mm)

F4S200 Double Stationary Cartridge Seals

double stationary
environmental cartridge mechanical seals f4s200™ & f4s200™ series

Product is not an ISO standard seal. Design, testing and pressure are the responsibility of the user. ISO 10179 for seal O.D. (mm) and ISO 10178 for seal I.D. (mm)

Seal Support Systems

f4s10™ range
thermosiphon & water retention systems

301/303 Single Rotary Cartridge Seals

single rotary
environmental cartridge mechanical seals 301™ and 303™ series

Product is not an ISO standard seal. Design, testing and pressure are the responsibility of the user. ISO 10179 for seal O.D. (mm) and ISO 10178 for seal I.D. (mm)

THIS DOCUMENT IS DESIGNED TO PROVIDE DIMENSIONAL DATA AND IS NOT AN INDICATION OF AVAILABILITY FROM STOCK. SOME DESIGNS MAY BE SUBJECT TO MINIMUM ORDER QUANTITIES AND MANUFACTURING LEAD TIMES.



UK Sales and Technical Advice:

AESSEAL Marine plc
Unit 4 Venlo Industrial Estate, Knowles Street, Bradford, BD4 6HA

Tel: +44 (0)1274 720775
Fax: +44 (0)1274 729022
Email: seals@first4seals.com
Web: www.first4seals.com

Distributed by:

